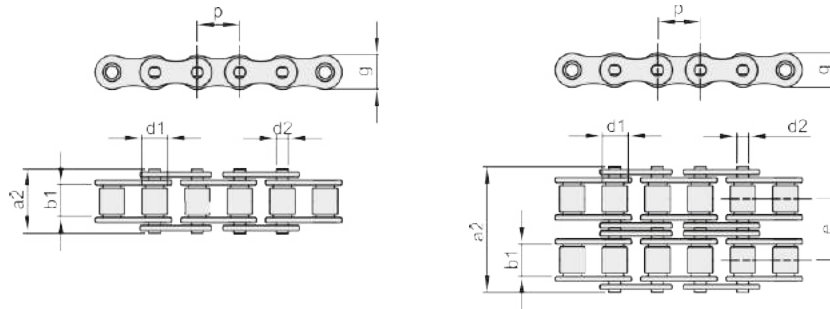


BRC VERNIKKELDE ROLLENKetting - DIN 8187 - ISO 606

BRC NICKEL PLATED ROLLER CHAINS - DIN 8187 - ISO 606

A-kwaliteit | simplex 06B1 t/m 16B1 - duplex 06B2 t/m 16B2



Ketting geproduceerd door een ISO 9001 - ISO 14001 & API 7F gecertificeerd bedrijf.

Voorgerekte kettingen (30%).

Verpakt per 5 meter.



SIMPLEX

| ISO | Code | p | | b1 | d2 | d1 | a2 | g | Breukbelasting | | q |
|----------------|----------|--------|------|-------|------|-------|------|-------|----------------|------|------|
| | | Steek | | | | | | | Min. | Gem. | |
| | | mm | inch | | | | | | | | |
| 06B1 NP | 47306100 | 9,525 | 3/8" | 5,72 | 3,28 | 6,35 | 13,5 | 8,26 | 9,0 | 10,7 | 0,40 |
| 08B1 NP | 47308100 | 12,7 | 1/2" | 7,75 | 4,45 | 8,51 | 17,0 | 11,81 | 18,0 | 21,1 | 0,68 |
| 10B1 NP | 47310100 | 15,875 | 5/8" | 9,65 | 5,08 | 10,16 | 19,6 | 14,73 | 22,4 | 27,4 | 0,91 |
| 12B1 NP | 47312100 | 19,05 | 3/4" | 11,68 | 5,72 | 12,07 | 22,7 | 16,13 | 29,0 | 32,3 | 1,12 |
| 16B1 NP | 47316100 | 25,4 | 1" | 17,02 | 8,28 | 15,88 | 36,1 | 21,08 | 60,0 | 70,6 | 2,59 |

DUPLEX

| ISO | Code | p | | b1 | d2 | d1 | a2 | g | e | Breukbelasting | | q |
|----------------|----------|--------|------|-------|------|-------|------|-------|-------|----------------|-------|------|
| | | Steek | | | | | | | | Min. | Gem. | |
| | | mm | inch | | | | | | | | | |
| 06B2 NP | 47306200 | 9,525 | 3/8" | 5,72 | 3,28 | 6,35 | 23,8 | 8,26 | 10,24 | 16,9 | 19,2 | 0,76 |
| 08B2 NP | 47308200 | 12,7 | 1/2" | 7,75 | 4,45 | 8,51 | 31,0 | 11,81 | 13,92 | 32,0 | 38,0 | 1,31 |
| 10B2 NP | 47310200 | 15,875 | 5/8" | 9,65 | 5,08 | 10,16 | 36,2 | 14,73 | 16,59 | 44,5 | 57,3 | 1,79 |
| 12B2 NP | 47312200 | 19,05 | 3/4" | 11,68 | 5,72 | 12,07 | 42,2 | 16,13 | 19,46 | 57,8 | 65,7 | 2,22 |
| 16B2 NP | 47316200 | 25,4 | 1" | 17,02 | 8,28 | 15,88 | 68,0 | 21,08 | 31,88 | 113,7 | 137,5 | 5,03 |



BRC SLUITSCHAKELS & VERLOOPSCHAKELS - ISO

BRC CONNECTING LINKS & OFFSET LINKS - ISO

Rechte plaat, vernikkeld, hollebout type A & B, verlengde pennen | types: 4, 5, 6, 7, 8, 9, 11 | simplex - duplex



4



5



6



7



8



9



11



Rechte plaat

| ISO | Steek | Sluitschakel | | Verloopschakel | |
|---------|--------|--------------|----------|----------------|------|
| | mm | Type | Code | Type | Code |
| 08B1 GL | 12,7 | 4 | 47108105 | - | - |
| 10B1 GL | 15,875 | 4 | 47110105 | - | - |
| 10B2 GL | 15,875 | 4 | 47110205 | - | - |
| 12B1 GL | 19,05 | 4 | 47112105 | - | - |
| 12B2 GL | 19,05 | 4 | 47112205 | - | - |
| 16B1 GL | 25,4 | 4 | 47116105 | - | - |
| 16B2 GL | 25,4 | 4 | 47116205 | - | - |
| 20B1 GL | 31,75 | 5 | 47120105 | - | - |
| 20B2 GL | 31,75 | 5 | 47120205 | - | - |

Vernikkeld

| ISO | Steek | Sluitschakel | | Verloopschakel | |
|---------|--------|--------------|----------|----------------|----------|
| | mm | Type | Code | Type | Code |
| 06B1 NP | 9,525 | 6 | 47306101 | 7 | 47306102 |
| 06B2 NP | 9,525 | 6 | 47306201 | 7 | 47306202 |
| 08B1 NP | 12,7 | 6 | 47308101 | 7 | 47308102 |
| 08B2 NP | 12,7 | 6 | 47308201 | 7 | 47308202 |
| 10B1 NP | 15,875 | 6 | 47310101 | 7 | 47310102 |
| 10B2 NP | 15,875 | 6 | 47310201 | 7 | 47310202 |
| 12B1 NP | 19,05 | 6 | 47312101 | 7 | 47312102 |
| 12B2 NP | 19,05 | 6 | 47312201 | 7 | 47312202 |
| 16B1 NP | 25,4 | 6 | 47316101 | 7 | 47316102 |
| 16B2 NP | 25,4 | 6 | 47316201 | 7 | 47316202 |

Hollebout type A

| ISO | Steek | Sluitschakel | | Verloopschakel | |
|---------|--------|--------------|----------|----------------|------|
| | mm | Type | Code | Type | Code |
| 08B1 HP | 12,7 | 8 | 47408103 | - | - |
| 10B1 HP | 15,875 | 8 | 47410103 | - | - |
| 12B1 HP | 19,05 | 8 | 47412103 | - | - |

Hollebout type B

| ISO | Steek | Sluitschakel | | Verloopschakel | |
|---------|--------|--------------|----------|----------------|------|
| | mm | Type | Code | Type | Code |
| 08B1 HP | 12,7 | 9 | 47408104 | - | - |
| 10B1 HP | 15,875 | 9 | 47410104 | - | - |
| 12B1 HP | 19,05 | 9 | 47412104 | - | - |
| 16B1 HP | 25,4 | 9 | 47416104 | - | - |

Verlengde pennen

| ISO | Steek | Sluitschakel | | Verloopschakel | |
|---------|--------|--------------|------|----------------|------|
| | mm | Type | Code | Type | Code |
| 06B1 VP | 9,525 | 11 | - | - | - |
| 08B1 VP | 12,7 | 11 | - | - | - |
| 10B1 VP | 15,875 | 11 | - | - | - |
| 12B1 VP | 19,05 | 11 | - | - | - |
| 16B1 VP | 25,4 | 11 | - | - | - |

| ISO | Steek | Sluitschakel | | Verloopschakel | |
|-----|-------|--------------|------|----------------|------|
| | mm | Type | Code | Type | Code |
| | | | | | |