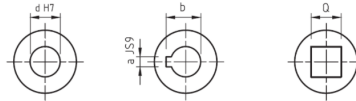
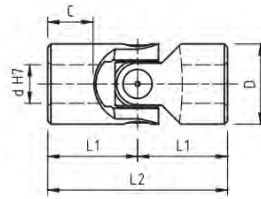


KRUISKOPPELINGEN

SERIE G

TYPE G-GB



Materiaal: staal

Artikel	Code AA	d	D	L2	L1	C	Code AB	Code BB	a	b	Code CC	Q
01G	SG0S 0600	6	16	34	17	8	SG0S 061C	SG0S 062C	2	7	SG0S 062Q	6
02G	SG0S 0800	8	16	40	20	11	SG0S 081C	SG0S 082C	2	9	SG0S 082Q	8
03G	SG0S 1000	10	22	48	24	12	SG0S 101C	SG0S 102C	3	11,4	SG0S 102Q	10
04G	SG0S 1200	12	25	56	28	13	SG0S 121C	SG0S 122C	4	13,8	SG0S 122Q	12
05G	SG0S 1400	14	28	60	30	14	SG0S 141C	SG0S 142C	5	16,3	SG0S 142Q	14
1G	SG0S 1600	16	32	68	34	16	SG0S 161C	SG0S 162C	5	18,3	SG0S 162Q	16
2G	SG0S 1800	18	36	74	37	17	SG0S 181C	SG0S 182C	6	20,8	SG0S 182Q	18
3G	SG0S 2000	20	42	82	41	18	SG0S 201C	SG0S 202C	6	22,8	SG0S 202Q	20
4G	SG0S 2200	22	45	95	47,5	22	SG0S 221C	SG0S 222C	6	24,8	SG0S 222Q	22
5G	SG0S 2500	25	50	108	54	26	SG0S 251C	SG0S 252C	8	28,3	SG0S 252Q	25
6G	SG0S 3000	30	58	122	61	29	SG0S 301C	SG0S 302C	8	33,3	SG0S 302Q	30
6G1	SG0S 3200	32	58	130	65	33	SG0S 321C	SG0S 322C	10	35,3	SG0S 322Q	30
7G	SG0S 3500	35	70	140	70	35	SG0S 351C	SG0S 352C	10	38,3		*
8G	SG0S 4000	40	80	160	80	39	SG0S 401C	SG0S 402C	12	43,3		*
9G	SG0S 5000	50	95	190	95	46	SG0S 501C	SG0S 502C	14	53,8		*
03GB	SGBS 1000	10	16	52	26	15	SGBS 101C	SGBS 102C	3	11,4	SGBS 082Q	8
04GB	SGBS 1200	12	22	62	31	18	SGBS 121C	SGBS 122C	4	13,8	SGBS 102Q	10
1GB	SGBS 1600	16	25	74	37	21	SGBS 161C	SGBS 162C	5	18,3	SGBS 122Q	12
3GB	SGBS 2000	20	32	86	43	24	SGBS 201C	SGBS 202C	6	22,8	SGBS 162Q	16
5GB	SGBS 2500	25	42	108	54	31	SGBS 251C	SGBS 252C	8	28,3	SGBS 202Q	20
6GB	SGBS 3000	30	50	132	66	38	SGBS 301C	SGBS 302C	8	33,3	SGBS 252Q	25
8GB	SGBS 4000	40	70	166	83	47	SGBS 401C	SGBS 402C	12	43,3		*

* op aanvraag

AA: 2x boring

AB: 1x boring, 1x boring met spiebaan

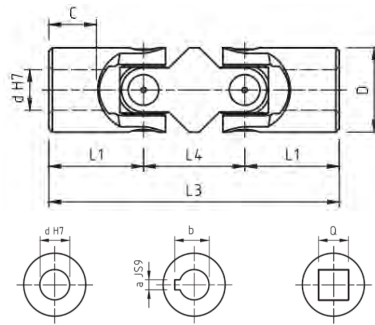
BB: 2x boring met spiebaan

CC: 2x vierkante boring

KRUISKOPPELINGEN

SERIE G

TYPE G-GBD



Materiaal: staal

Artikel	Code AA	d	D	L3	L1	L4	C	Code AB	Code BB	a	b	Code CC	Q
01GD	SG0D 0600	6	16	56	17	22	8	SG0D 061C	SG0D 062C	2	7	SG0D 062Q	6
02GD	SG0D 0800	8	16	62	20	22	11	SG0D 081C	SG0D 082C	2	9	SG0D 082Q	8
03GD	SG0D 1000	10	22	74	24	26	12	SG0D 101C	SG0D 102C	3	11,4	SG0D 102Q	10
04GD	SG0D 1200	12	25	86	28	30	13	SG0D 121C	SG0D 122C	4	13,8	SG0D 122Q	12
05GD	SG0D 1400	14	28	96	30	36	14	SG0D 141C	SG0D 142C	5	16,3	SG0D 142Q	14
1GD	SG0D 1600	16	32	104	34	36	16	SG0D 161C	SG0D 162C	5	18,3	SG0D 162Q	16
2GD	SG0D 1800	18	36	114	37	40	17	SG0D 181C	SG0D 182C	6	20,8	SG0D 182Q	18
3GD	SG0D 2000	20	42	128	41	46	18	SG0D 201C	SG0D 202C	6	22,8	SG0D 202Q	20
4GD	SG0D 2200	22	45	145	47,5	50	22	SG0D 221C	SG0D 222C	6	24,8	SG0D 222Q	22
5GD	SG0D 2500	25	50	163	54	55	26	SG0D 251C	SG0D 252C	8	28,3	SG0D 252Q	25
6GD	SG0D 3000	30	58	190	61	68	29	SG0D 301C	SG0D 302C	8	33,3	SG0D 302Q	30
6GD1	SG0D 3200	32	58	198	65	68	33	SG0D 321C	SG0D 322C	10	35,3	SG0D 322Q	*
7GD	SG0D 3500	35	70	212	70	72	35	SG0D 351C	SG0D 352C	10	38,3	x	*
8GD	SG0D 4000	40	80	245	80	85	39	SG0D 401C	SG0D 402C	12	43,3	x	*
9GD	SG0D 5000	50	95	290	95	100	46	SG0D 501C	SG0D 502C	14	53,8	x	*
03GBD	SGBD 1000	10	16	74	26	22	15	SGBD 101C	SGBD 102C	3	11,4	SGBD 082Q	8
04GBD	SGBD 1200	12	22	88	31	26	18	SGBD 121C	SGBD 122C	4	13,8	SGBD 102Q	10
1GBD	SGBD 1600	16	25	104	37	30	21	SGBD 161C	SGBD 162C	5	18,3	SGBD 122Q	12
3GBD	SGBD 2000	20	32	124	43	38	24	SGBD 201C	SGBD 202C	6	22,8	SGBD 162Q	16
5GBD	SGBD 2500	25	42	156	54	48	31	SGBD 251C	SGBD 252C	8	28,3	SGBD 202Q	20
6GBD	SGBD 3000	30	50	188	66	56	38	SGBD 301C	SGBD 302C	8	33,3	SGBD 252Q	25
8GBD	SGBD 4000	40	70	238	83	72	47	SGBD 401C	SGBD 402C	12	43,3	x	*

* op aanvraag

AA: 2x boring

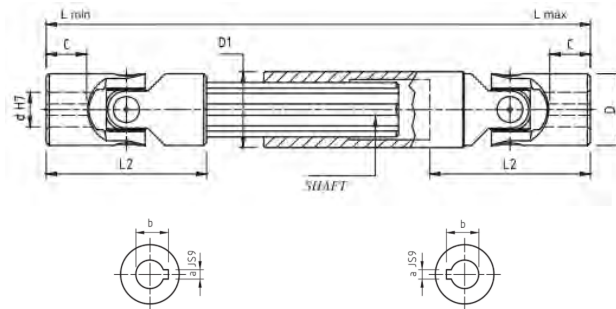
AB: 1x boring, 1x boring met spiebaan

BB: 2x boring met spiebaan

CC: 2x vierkante boring

KRUISKOPPELINGEN

SERIE G TYPE GA (1)

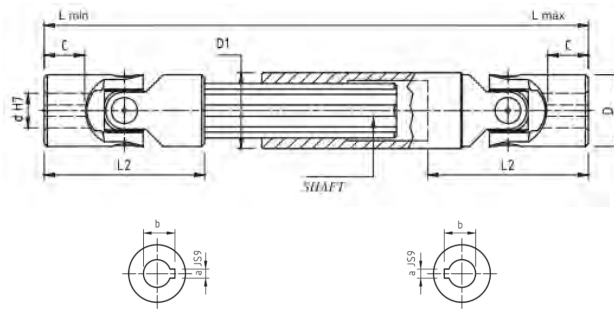


Materiaal: staal

Artikel	Code	d	D	L2	C	L min	L max	schuif lengte	a	b	As	D1
03GA1	SG0A 1010	10	22	48	12	140	170	30	3	11,4	11 x 14 Z6	22
03GA15	SG0A 1015	10	22	48	12	160	200	40	3	11,4	11 x 14 Z	22
03GA2	SG0A 1020	10	22	48	12	180	240	60	3	11,4	11 x 14 Z	22
03GA25	SG0A 1025	10	22	48	12	230	330	100	3	11,4	11 x 14 Z6	22
04GA1	SG0A 1210	12	25	56	13	160	190	30	4	13,8	13 x 16 Z6	26
04GA15	SG0A 1215	12	25	56	13	180	225	45	4	13,8	13 x 16 Z6	26
04GA2	SG0A 1220	12	25	56	13	200	270	70	4	13,8	13 x 16 Z6	26
04GA23	SG0A 1223	12	25	56	13	220	300	80	4	13,8	13 x 16 Z6	26
04GA26	SG0A 1226	12	25	56	13	250	355	105	4	13,8	13 x 16 Z6	26
04GA29	SG0A 1229	12	25	56	13	280	420	140	4	13,8	13 x 16 Z6	26
04GA32	SG0A 1232	12	25	56	13	300	450	150	4	13,8	13 x 16 Z6	26
05GA1	SG0A 1410	14	28	60	14	170	200	30	5	16,3	13 x 16 Z6	29
05FA15	SG0A 1415	14	28	60	14	180	220	40	5	16,3	13 x 16 Z6	29
05GA18	SG0A 1418	14	28	60	14	200	260	60	5	16,3	13 x 16 Z6	29
05GA2	SG0A 1420	14	28	60	14	220	300	80	5	16,3	13 x 16 Z6	29
05GA23	SG0A 1423	14	28	60	14	250	350	100	5	16,3	13 x 16 Z6	29
05GA26	SG0A 1426	14	28	60	14	280	420	140	5	16,3	13 x 16 Z6	29

KRUISKOPPELINGEN

SERIE G TYPE GA (2)

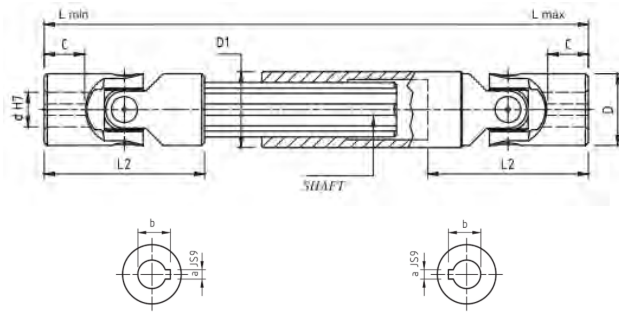


Materiaal: staal

Artikel	Code	d	D	L2	C	L min	L max	schuif lengte	a	b	As	D1
05GA29	SG0A 1529	14	28	60	14	300	450	150	5	16,3	13 x 16 Z6	29
05GA32	SG0A 1432	14	28	60	14	350	550	200	5	16,3	13 x 16 Z6	29
05GA35	SG0A 1435	14	28	60	14	400	650	250	5	16,3	13 x 16 Z6	29
1GA1	SG0A 1610	16	32	68	16	190	220	30	5	18,3	16 x 20 Z6	32
1GA15	SG0A 1615	16	32	68	16	210	250	40	5	18,3	16 x 20 Z6	32
1GA2	SG0A 1620	16	32	68	16	240	320	80	5	18,3	16 x 20 Z6	32
1GA23	SG0A 1623	16	32	68	16	250	350	100	5	18,3	16 x 20 Z6	32
1GA26	SG0A 1626	16	32	68	16	275	390	115	5	18,3	16 x 20 Z6	32
1GA29	SG0A 1629	16	32	68	16	300	430	130	5	18,3	16 x 20 Z6	32
1GA32	SG0A 1632	16	32	68	16	380	590	210	5	18,3	16 x 20 Z6	32
1GA35	SG0A 1635	16	32	68	16	400	630	230	5	18,3	16 x 20 Z6	32
2GA1	SG0A 1810	18	36	74	17	230	280	50	6	20,8	18 x 22 Z6	37
2GA15	SG0A 1815	18	36	74	17	250	320	70	6	20,8	18 x 22 Z6	37
2GA18	SG0A 1818	18	36	74	17	270	370	100	6	20,8	18 x 22 Z6	37
2GA2	SG0A 1820	18	36	74	17	290	400	110	6	20,8	18 x 22 Z6	37
2GA23	SG0A 1823	18	36	74	17	300	415	115	6	20,8	18 x 22 Z6	37
2GA26	SG0A 1826	18	36	74	17	400	620	220	6	20,8	18 x 22 Z6	37

KRUISKOPPELINGEN

SERIE G TYPE GA (3)

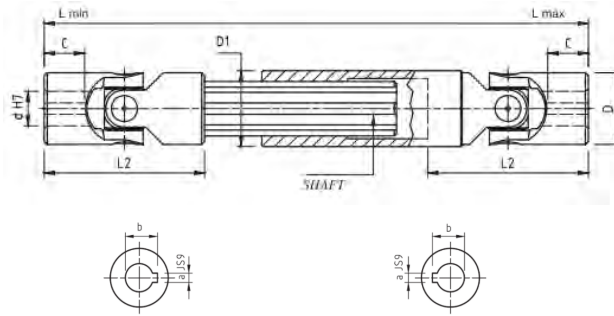


Materiaal: staal

Artikel	Code	d	D	L2	C	L min	L max	schuif lengte	a	b	As	D1
2GA29	SG0A 1529	18	36	74	17	500	820	320	6	20,8	18 x 22 Z6	37
3GA1	SG0A 2010	20	42	82	18	250	300	50	6	22,8	21 x 25 Z6	42
3GA15	SG0A 2015	20	42	82	18	270	340	70	6	22,8	21 x 25 Z6	42
3GA18	SG0A 2018	20	42	82	18	290	380	90	6	22,8	21 x 25 Z6	42
3GA2	SG0A 2020	20	42	82	18	320	440	120	6	22,8	21 x 25 Z6	42
3GA23	SG0A 2023	20	42	82	18	380	560	180	6	22,8	21 x 25 Z6	42
3GA26	SG0A 2026	20	42	82	18	420	640	220	6	22,8	21 x 25 Z6	42
3GA29	SG0A 2029	20	42	82	18	500	800	300	6	22,8	21 x 25 Z6	42
4GA05	SG0A 2205	22	45	95	22	250	280	30	6	24,8	23 x 28 Z6	47
4GA1	SG0A 2210	22	45	95	22	270	320	50	6	24,8	23 x 28 Z6	47
4GA15	SG0A 2215	22	45	95	22	290	350	60	6	24,8	23 x 28 Z6	47
4GA2	SG0A 2220	22	45	95	22	330	430	100	6	24,8	23 x 28 Z6	47
4GA23	SG0A 2223	22	45	95	22	350	470	120	6	24,8	23 x 28 Z6	47
4GA26	SG0A 2226	22	45	95	22	470	710	240	6	24,8	23 x 28 Z6	47
5GA1	SG0A 2510	25	50	108	26	295	345	50	8	28,3	26 x 32 Z6	52
5GA15	SG0A 2515	25	50	108	26	310	375	65	8	28,3	26 x 32 Z6	52
5GA2	SG0A 2520	25	50	108	26	350	450	100	8	28,3	26 x 32 Z6	52

KRUISKOPPELINGEN

SERIE G TYPE GA (4)



Materiaal: staal

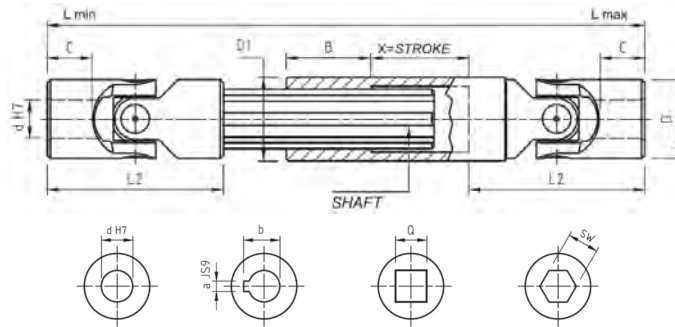
Artikel	Code	d	D	L2	C	L min	L max	schuif lengte	a	b	As	D1
5GA23	SG0A 2523	25	50	108	26	380	500	120	8	28,3	26 x 32 Z6	52
5GA26	SG0A 2526	25	50	108	26	420	590	170	8	28,3	26 x 32 Z6	52
5GA29	SG0A 2529	25	50	108	26	460	660	200	8	28,3	26 x 32 Z6	52
5GA32	SG0A 2532	25	50	108	26	500	745	245	8	28,3	26 x 32 Z6	52
6GA1	SG0A 3010	30	58	122	29	330	380	50	8	33,3	32 x 38 Z6	58
6GA15	SG0A 3015	30	58	122	29	350	420	70	8	33,3	32 x 38 Z6	58
6GA18	SG0A 3018	30	58	122	29	370	455	85	8	33,3	32 x 38 Z6	58
6GA2	SG0A 3020	30	58	122	29	400	510	110	8	33,3	32 x 38 Z6	58
6GA23	SG0A 3023	30	58	122	29	450	620	170	8	33,3	32 x 38 Z6	58
6GA26	SG0A 3026	30	58	122	29	500	720	220	8	33,3	32 x 38 Z6	58
6GA29	SG0A 3029	30	58	122	29	540	795	255	8	33,3	32 x 38 Z6	58



KRUISKOPPELINGEN

SERIE G

TYPE GA -GBA



Materiaal: staal

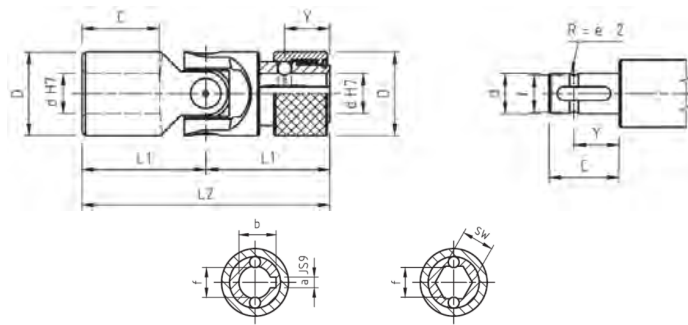
Artikel	d	D	L2	C	L. min	L. max	B	a	b	Q	SW	As	D1	
						op aanvraag								
01GA	6	16	34	8	←	→	25	2	7	6	6	SW 8	16	
02GA	8	16	40	11	←	→	25	2	9	8	8	SW 8	16	
03GA	10	22	48	12	←	→	30	3	11,4	10	10	11 x 14 Z6	22	
04GA	12	25	56	13	←	→	40	4	13,8	12	12	13 x 16 Z6	26	
05GA	14	28	60	14	←	→	40	5	16,3	14	14	13 x 16 Z6	29	
1GA	16	32	68	16	←	→	40	5	18,3	16	16	16 x 20 Z6	32	
2GA	18	36	74	17	←	→	40	6	20,8	18	18	18 x 22 Z6	37	
3GA	20	42	82	18	←	→	45	6	22,8	20	20	21 x 25 Z6	42	
4GA	22	45	95	22	←	→	45	6	24,8	22	22	23 x 28 Z6	47	
5GA	25	50	108	26	←	→	45	8	28,3	25	25	26 x 32 Z6	52	
6GA	30	58	122	29	←	→	50	8	33,3	30	30	32 x 38 Z8	58	
7GA	35	70	140	35	←	→	70	10	38,3	*	*	36 x 42 Z8	70	
8GA	40	80	160	39	←	→	80	12	43,3	*	*	42 x 48 Z8	80	
9GA	50	95	190	46	←	→	90	14	53,8	*	*	46 x 54 Z8	95	
03GBA	10	16	52	15	←	→	25	3	11,4	8	8	SW 8	16	
04GBA	12	22	62	18	←	→	30	4	13,8	10	10	11 x 14 Z6	22	
1GBA	16	25	74	21	←	→	40	5	18,3	12	12	13 x 16 Z6	26	
3GBA	20	32	86	24	←	→	40	6	22,8	16	16	16 x 20 Z6	32	
5GBA	25	42	108	31	←	→	45	8	28,3	20	20	21 x 25 Z6	42	
6GBA	30	50	132	38	←	→	45	8	33,3	25	25	26 x 32 Z6	52	
8GBA	40	70	166	47	←	→	70	12	43,3	*	*	36 x 42 Z8	70	

* op aanvraag

KRUISKOPPELINGEN

SERIE G

TYPE GR



Materiaal: staal



Artikel	d	D	L2	L1	C	Y	e	f	Code AB	a	b	Code AD	SW
02GR	8	16	52	26	14	9,5	3,5	6,3	SG0R 081C	2	9	SG0R 08SW	8
03GR	10	22	62	31	17	11,5	4	8,7 (8)	SG0R 101C	3	11	SG0R 10SW	10 (9,06)
04GR	12	25	74	37	21	13,5	4	11 (10,5)	SG0R 121C	4	13,3	SG0R 12SW	12 (11,15)
05GR	14	25	74	37	21	13,5	4	13	SG0R 141C	5	15,3	SG0R 14SW	14
1GR	16	32	86	43	24	14	6,35	14,8	SG0R 161C	5	17,3	SG0R 16SW	16
2GR	18	36	96	48	28	19	8	16	SG0R 181C	6	19,8	SG0R 18SW	18
3GR	20	42	108	54	31	19	8	18	SG0R 201C	6	22,8	SG0R 20SW	20
4GR	22	45	120	60	34	20,5	10	20	SG0R 221C	6	24,8	SG0R 22SW	22
5GR	25	50	132	66	38	20,5	10	23	SG0R 251C	8	28,3	SG0R 25SW	25
6GR	30	58	166	83	49	25	10	28	SG0R 301C	8	33,3	SG0R 30SW	30

AB: 1x boring, 1x boring met spiebaan

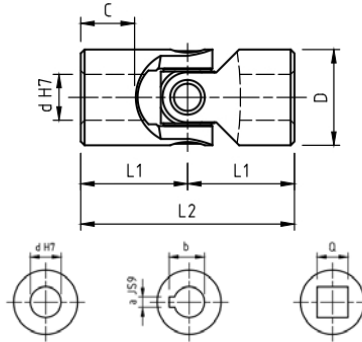
AD: 1x boring, 1x hexagonale boring



KRUISKOPPELINGEN

SERIE H

TYPE H-HB



Materiaal: staal

Artikel	Code AA	d	D	L2	L1	C	Code AB	Code BB	a	b	Code CC	Q
03H	SH0S 1000	10	22	48	24	12	SH0S 101C	SH0S 102C	3	11,4	SH0S 102Q	10
04H	SH0S 1200	12	25	56	28	13	SH0S 121C	SH0S 122C	4	13,8	SH0S 122Q	12
05H	SH0S 1400	14	28	60	30	14	SH0S 141C	SH0S 142C	5	16,3	SH0S 142Q	14
1H	SH0S 1600	16	32	68	34	16	SH0S 161C	SH0S 162C	5	18,3	SH0S 162Q	16
2H	SH0S 1800	18	36	74	37	17	SH0S 181C	SH0S 182C	6	20,8	SH0S 182Q	18
3H	SH0S 2000	20	42	82	41	18	SH0S 201C	SH0S 202C	6	22,8	SH0S 202Q	20
4H	SH0S 2200	22	45	95	47	22	SH0S 221C	SH0S 222C	6	24,8	SH0S 222Q	22
5H	SH0S 2500	25	50	108	54	26	SH0S 251C	SH0S 252C	8	28,3	SH0S 252Q	25
6H	SH0S 3000	30	58	122	61	29	SH0S 301C	SH0S 302C	8	33,3	SH0S 302Q	30
6H1	SH0S 3200	32	58	130	65	33	SH0S 321C	SH0S 322C	10	35,3	SH0S 322Q	30
7H	SH0S 3500	35	70	140	70	35	SH0S 351C	SH0S 352C	10	38,3		*
8H	SH0S 4000	40	80	160	80	39	SH0S 401C	SH0S 402C	12	43,3		*
9H	SH0S 5000	50	95	190	95	46	SH0S 501C	SH0S 502C	14	53,8		*
04HB	SHBS 1200	12	22	62	31	18	SHBS 121C	SHBS 122C	4	13,8	SHBS 102Q	10
1HB	SHBS 1600	16	25	74	37	21	SHBS 161C	SHBS 162C	5	18,3	SHBS 122Q	12
3HB	SHBS 2000	20	32	86	43	24	SHBS 201C	SHBS 202C	6	22,8	SHBS 162Q	16
5HB	SHBS 2500	25	42	108	54	31	SHBS 251C	SHBS 252C	8	28,3	SHBS 202Q	20
6HB	SHBS 3000	30	50	132	66	38	SHBS 301C	SHBS 302C	8	33,3	SHBS 252Q	25
8HB	SHBS 4000	40	70	166	83	47	SHBS 401C	SHBS 402C	12	43,3		*

* op aanvraag

AA: 2x boring

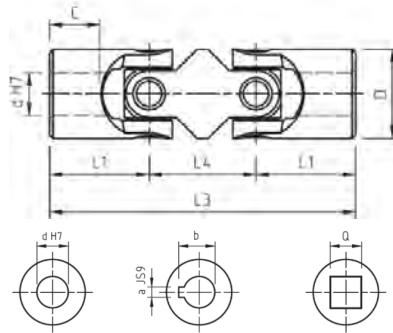
AB: 1x boring, 1x boring met spiebaan

BB: 2x boring met spiebaan

CC: 2x vierkante boring

KRUISKOPPELINGEN

SERIE H TYPE HD-HBD



Materiaal: staal

Artikel	Code AA	d	D	L3	L1	L4	C	Code AB	Code BB	a	b	Code CC	Q
03HD	SH0D 1000	10	22	74	24	26	12	SH0D 101C	SH0D 102C	3	11,4	SH0D 102Q	10
04HD	SH0D 1200	12	25	86	28	30	13	SH0D 121C	SH0D 122C	4	13,8	SH0D 122Q	12
05HD	SH0D 1400	14	28	96	30	36	14	SH0D 141C	SH0D 142C	5	16,3	SH0D 142Q	14
1HD	SH0D 1600	16	32	104	34	36	16	SH0D 161C	SH0D 162C	5	18,3	SH0D 162Q	16
2HD	SH0D 1800	18	36	114	37	40	17	SH0D 181C	SH0D 182C	6	20,8	SH0D 182Q	18
3HD	SH0D 2000	20	42	128	41	46	18	SH0D 201C	SH0D 202C	6	22,8	SH0D 202Q	20
4HD	SH0D 2200	22	45	145	47	50	22	SH0D 221C	SH0D 222C	6	24,8	SH0D 222Q	22
5HD	SH0D 2500	25	50	163	54	55	26	SH0D 251C	SH0D 252C	8	28,3	SH0D 252Q	25
6HD	SH0D 3000	30	58	190	61	68	29	SH0D 301C	SH0D 302C	8	33,3	SH0D 302Q	30
6HD1	SH0D 3200	32	58	198	65	68	33	SH0D 321C	SH0D 322C	10	35,3	SH0D 322Q	30
7HD	SH0D 3500	35	70	212	70	72	35	SH0D 351C	SH0D 352C	10	38,3		*
8HD	SH0D 4000	40	80	245	80	85	39	SH0D 401C	SH0D 402C	12	43,3		*
9HD	SH0D 5000	50	95	290	95	100	46	SH0D 501C	SH0D 502C	14	53,8		*
04HBD	SHBD 1200	12	22	88	31	26	18	SHBD 121C	SHBD 122C	4	13,8	SHBS 102Q	10
1HBD	SHBD 1600	16	25	104	37	30	21	SHBD 161C	SHBD 162C	5	18,3	SHBS 122Q	12
3HBD	SHBD 2000	20	32	124	43	38	24	SHBD 201C	SHBD 202C	6	22,8	SHBS 162Q	16
5HBD	SHBD 2500	25	42	156	54	48	31	SHBD 251C	SHBD 252C	8	28,3	SHBS 202Q	20
6HBD	SHBD 3000	30	50	188	66	56	38	SHBD 301C	SHBD 302C	8	33,3	SHBS 252Q	25
8HBD	SHBD 4000	40	70	238	83	72	47	SHBD 401C	SHBD 402C	12	43,3		*

* op aanvraag

AA: 2x boring

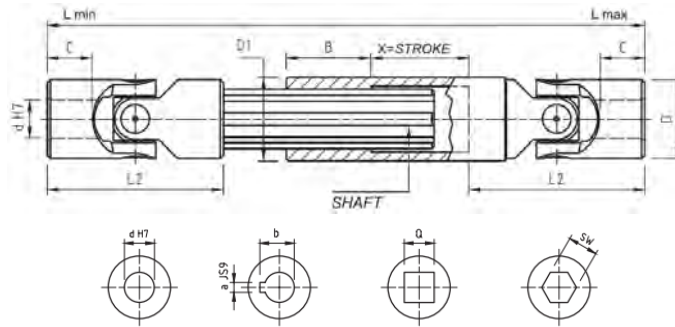
AB: 1x boring, 1x boring met spiebaan

BB: 2x boring met spiebaan

CC: 2x vierkante boring

KRUISKOPPELINGEN

SERIE H TYPE HA-HBA



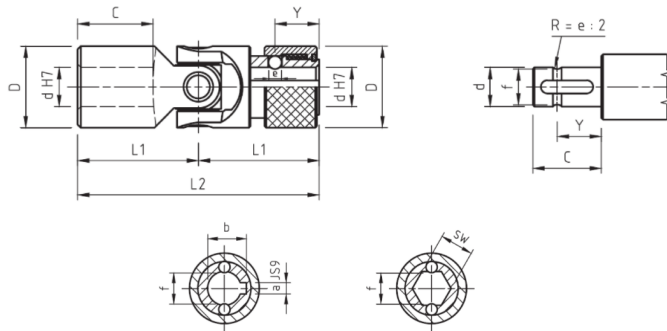
Materiaal: staal

Artikel	d	D	L2	C	L. min	L. max	B	a	b	Q	SW	As	D1		
					op aanvraag										
03HA	10	22	48	12	←	→	30	3	11,4	10	10	11 x 14 Z6	22		
04HA	12	25	56	13	←	→	40	4	13,8	12	12	13 x 16 Z6	26		
05HA	14	28	60	14	←	→	40	5	16,3	14	14	13 x 16 Z6	29		
1HA	16	32	68	16	←	→	40	5	18,3	16	16	16 x 20 Z6	32		
2HA	18	36	74	17	←	→	40	6	20,8	18	18	18 x 22 Z6	37		
3HA	20	42	82	18	←	→	45	6	22,8	20	20	21 x 25 Z6	42		
4HA	22	45	95	22	←	→	45	6	24,8	22	22	23 x 28 Z6	47		
5HA	25	50	108	26	←	→	45	8	28,3	25	25	26 x 32 Z6	52		
6HA	30	58	122	29	←	→	50	8	33,3	30	30	32 x 38 Z8	58		
7HA	35	70	140	35	←	→	70	10	38,3	*	*	36 x 42 Z8	70		
8HA	40	80	160	39	←	→	80	12	43,3	*	*	42 x 48 Z48	80		
9HA	50	95	190	46	←	→	90	14	53,8	*	*	46 x 54 Z8	95		
04HBA	12	22	62	18	←	→	30	4	13,8	10	10	11 x 14 Z6	22		
1HBA	16	25	74	21	←	→	40	5	18,3	12	12	13 x 16 Z6	26		
5HBA	20	32	86	24	←	→	40	6	22,8	16	16	16 x 20 Z6	32		
3HBA	25	42	108	31	←	→	45	8	28,3	20	20	21 x 25 Z6	42		
6HBA	30	50	132	38	←	→	45	8	33,3	25	25	26 x 32 Z6	52		
8HBA	40	70	166	47	←	→	70	12	43,3	*	*	36 x 42 Z8	70		

* op aanvraag

KRUISKOPPELINGEN

SERIE H TYPE HR



Materiaal: staal

Artikel	d	D	L2	L1	C	Y	e	f	Code AB	a	b	Code AD	SW
03HR	10	22	62	31	17	11,5	4	8,7 (8)	SH0R 101C	3	11	SH0R 10SW	10 (9,06)
04HR	12	25	74	37	21	13,5	4	11 (10,5)	SH0R 121C	4	13,3	SH0R 12SW	12 (11,15)
05HR	14	25	74	37	21	13,5	4	13	SH0R 141C	5	15,3	SH0R 14SW	14
1HR	16	32	86	43	24	14	6,35	14,8	SH0R 161C	5	17,3	SH0R 16SW	16
2HR	18	36	96	48	28	19	8	16	SH0R 181C	6	19,8	SH0R 18SW	18
3HR	20	42	108	54	31	19	8	18	SH0R 201C	6	22,8	SH0R 20SW	20
4HR	22	45	120	60	34	20,5	10	20	SH0R 221C	6	24,8	SH0R 22SW	22
5HR	25	50	132	66	38	20,5	10	23	SH0R 251C	8	28,3	SH0R 25SW	25
6HR	30	58	166	83	49	25	10	28	SH0R 301C	8	33,3	SH0R 30SW	30

AB: 1x boring, 1x boring met spiebaan

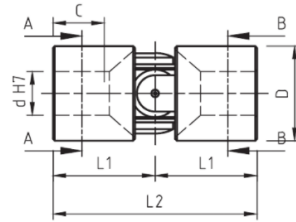
AD: 1x boring, 1x hexagonale boring



KRUISKOPPELINGEN

SERIE S

TYPE S



Materiaal: staal

Artikel	Code AA	d	D	L2	L1	C	Code AB	Code BB	a	b
01S	SS0S 0600	6	16	34	17	9				
02S	SS0S 0800	8	18	40	20	11				
03S	SS0S 1000	10	22	48	24	14	SS0S 101C	SS0S 102C	3	11,4
04S	SS0S 1200	12	26	56	28	16	SS0S 121C	SS0S 122C	4	13,8
05S	SS0S 1400	14	29	60	30	17	SS0S 141C	SS0S 142C	5	16,3
1S	SS0S 1600	16	32	68	34	20	SS0S 161C	SS0S 162C	5	18,3
2S	SS0S 1800	18	37	74	37	21	SS0S 181C	SS0S 182C	6	20,8
3S	SS0S 2000	20	42	80	41	23	SS0S 201C	SS0S 202C	6	22,8
4S	SS0S 2200	22	47	95	47,5	25	SS0S 221C	SS0S 222C	6	24,8
5S	SS0S 2500	25	52	108	54	29	SS0S 251C	SS0S 252C	8	28,3
6S	SS0S 3000	30	58	122	61	34	SS0S 301C	SS0S 302C	8	33,3

AA: 2x boring

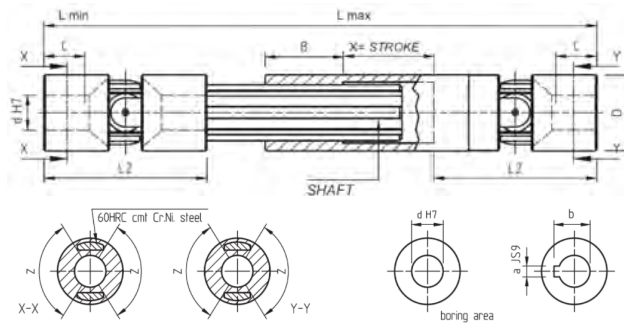
AB: 1x boring, 1x boring met spiebaan

BB: 2x boring met spiebaan



KRUISKOPPELINGEN

SERIE S TYPE A



Materiaal: staal



Artikel	d	D	L2	C	L.min	L.max	B	a	b	As	
						op aanvraag					
01A	6	16	34	9	←	→	25			SW 8	
02A	8	18	40	11	←	→	25			SW 10	
03A	10	22	48	14	←	→	30	3	11,4	11 x 14 Z6	
04A	12	26	56	16	←	→	40	4	13,8	13 x 16 Z6	
05A	14	29	60	17	←	→	40	5	16,3	13 x 16 Z6	
1A	16	32	68	20	←	→	40	5	18,3	16 x 20 Z6	
2A	18	37	74	21	←	→	40	6	20,8	18 x 22 Z6	
3A	20	42	82	23	←	→	45	6	22,8	21 x 25 Z6	
4A	22	47	95	25	←	→	45	6	24,8	23 x 28 Z6	
5A	25	52	108	29	←	→	45	8	28,3	26 x 32 Z6	
6A	30	58	122	34	←	→	50	8	33,3	32 x 38 Z8	

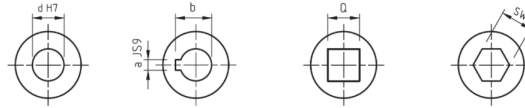
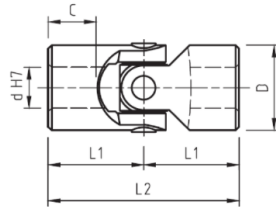


KRUISKOPPELINGEN

SERIE X

TYPE X

KRUISKOPPELING ENKEL



Materiaal: staal

Artikel	Code AA	Code BB	d	D	L2	L1	c	a	b	Q	SW
01X	SX0S 0600	SX0S 062C	6	16	34	17	8	2	7	6	6
02X	SX0S 0800	SX0S 082C	8	16	40	20	11	2	9	8	8
03X	SX0S 1000	SX0S 102C	10	22	48	24	12	3	11,4	10	10
04X	SX0S 1200	SX0S 122C	12	25	56	28	13	4	13,8	12	12
1X	SX0S 1600	SX0S 162C	16	32	68	34	16	5	18,3	16	16
3X	SX0S 2000	SX0S 202C	20	42	82	41	18	6	22,8	20	20
5X	SX0S 2500	SX0S 252C	25	50	108	54	26	8	28,3	25	25
6X	SX0S 3000	SX0S 302C	30	58	122	61	29	8	33,3	30	30

* op aanvraag

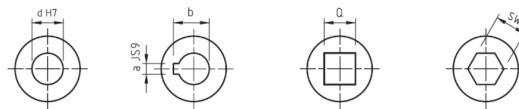
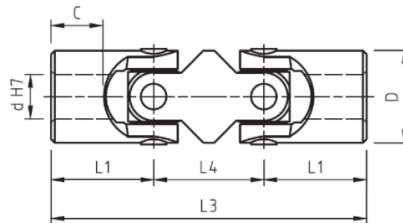
AA: 2x boring

BB: 2x boring met spiebaan

SERIE X

TYPE XD

KRUISKOPPELING DUBBEL



Materiaal: staal

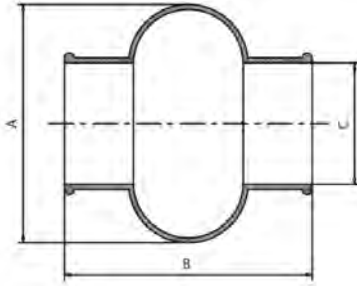
Artikel	Code AA	Code BB	d	D	L3	L1	L4	c	a	b	Q	SW
01XD	SX0D 0600	SX0D 062C	6,0	16,0	56,0	17,0	22,0	8,0	2,0	7,0	6,0	6,0
02XD	SX0D 0800	SX0D 082C	8,0	16,0	62,0	20,0	22,0	11,0	2,0	9,0	8,0	8,0
03XD	SX0D 1000	SX0D 102C	10,0	22,0	74,0	24,0	26,0	12,0	3,0	11,4	10,0	10,0
04XD	SX0D 1200	SX0D 122C	12,0	25,0	86,0	28,0	30,0	13,0	4,0	13,8	12,0	12,0
1XD	SX0D 1600	SX0D 162C	16,0	32,0	104,0	34,0	36,0	16,0	5,0	18,3	16,0	16,0
3XD	SX0D 2000	SX0D 202C	20,0	42,0	128,0	41,0	46,0	18,0	6,0	22,8	20,0	20,0
5XD	SX0D 2500	SX0D 252C	25,0	50,0	163,0	54,0	55,0	26,0	8,0	28,3	25,0	25,0
6XD	SX0D 3000	SX0D 302C	30,0	58,0	190,0	61,0	68,0	29,0	8,0	33,3	30,0	30,0

AA: 2x boring

BB: 2x boring met spiebaan

BESCHERMINGSMOFFEN

SERIE M



Materiaal: rubber

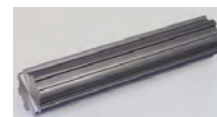
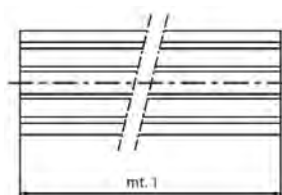
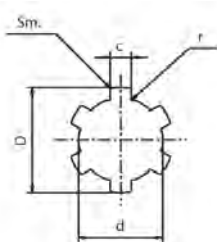


Artikel	Code	A	B	C	Buiten-diameter
01M	SM00 1600	28	34	15	16
02M	SM00 1800	32	40	16,5	18
03M	SM00 2200	40	45	20,5	22
04M	SM00 2500	48	50	24,5	25/26
05M	SM00 2800	52	56	27,5	28/29
1M	SM00 3200	56	65	30,5	32
2M	SM00 3600	66	72	35,5	36/37
3M	SM00 4200	75	82	40	42
4M	SM00 4500	84	95	45	45/47
5M	SM00 5000	92	108	50	50/52
6M	SM00 5800	100	122	56	58



ASSEN

SERIE AS

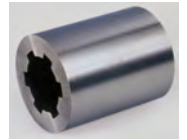
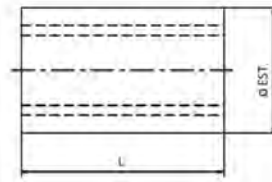
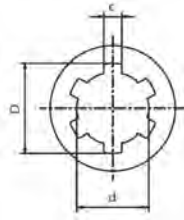


Materiaal: staal

Artikel	Code	D	d	C	z	Selection mm ²	Tolerantie			Sm. 45°	r
11AS	SAS0 1100	14	11	3	6	121,9	-0,07	-0,07	-0,07	0,2	0,2
							-0,20	-0,20	-0,20		
							-0,07	-0,07	-0,07		
13AS	SAS0 1300	16	13	3,5	6	164,1	-0,20	-0,20	-0,20	0,2	0,2
							-0,07	-0,07	-0,07		
16AS	SAS0 1600	20	16	4	6	243,4	-0,25	-0,25	-0,25	0,2	0,2
							-0,07	-0,07	-0,07		
18AS	SAS0 1800	22	18	5	6	312,4	-0,25	-0,25	-0,25	0,2	0,2
							-0,07	-0,07	-0,07		
21AS	SAS0 2100	25	21	5	6	399,8	-0,27	-0,27	-0,27	0,2	0,2
							-0,07	-0,07	-0,07		
23AS	SAS0 2300	28	23	6	6	505,2	-0,27	-0,27	-0,27	0,3	0,3
							-0,07	-0,07	-0,07		
26AS	SAS0 2600	32	26	6	6	638,60	-0,27	-0,27	-0,27	0,3	0,3
							-0,07	-0,07	-0,07		
32AS	SAS0 3200	38	32	6	8	947,80	-0,27	-0,27	-0,27	0,3	0,3
							-0,07	-0,07	-0,07		
36AS	SAS0 3600	42	36	7	8	1185,30	-0,27	-0,27	-0,27	0,3	0,3
							-0,07	-0,07	-0,07		
42AS	SAS0 4200	48	42	8	8	1576,70	-0,27	-0,27	-0,27	0,3	0,3
							-0,07	-0,07	-0,07		
46AS	SAS0 4600	54	46	9	8	1949,00	-0,27	-0,27	-0,27	0,5	0,5

BUSSEN

SERIE BB



Materiaal: staal

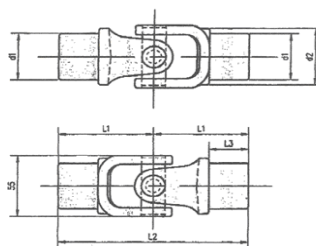
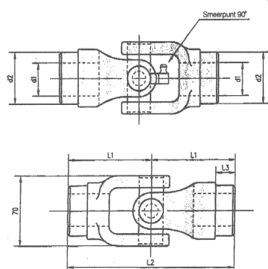


Artikel	Code	D	d	C	z	Ø	Toll.	L	Rif. uni uni Ref.
11BB	SBB0 1100	14	11	3	6	18,75	h8	30	11 UNI
13BB	SBB0 1300	16	13	3,5	6	21,75	h8	40	13 UNI
13BB1	SBB0 1301	16	13	3,5	6	24,75	h8	40	13 UNI
16BB	SBB0 1600	20	16	4	6	27,75	h8	40	16 UNI
18B	SBB0 1800	22	18	5	6	31,75	h8	40	18 UNI
21BB	SBB0 2100	25	21	5	6	35,75	h8	45	21 UNI
23BB	SBB0 2300	28	23	6	6	39,70	h8	45	23 UNI
26BB	SBB0 2600	32	26	6	6	44,70	h8	45	26 UNI
32BB	SBB0 3200	38	32	6	8	49,70	h8	50	32 UNI
36BB	SBB0 3600	42	36	7	8	59,70	h8	70	36 UNI
42BB	SBB0 4200	48	42	8	8	69,70	h8	80	42 UNI
46BB	SBB0 4600	54	46	9	8	81,70	h8	90	46 UNI



KRUIKOPPELINGEN

**GIETSTALEN
KRUIKOPPELING
BUIGBAAR TOT 45°**



Materiaal: gietstaal



Artikel	D1	D2	Inch	L1	L2	L3	Mkp Nm	Gewicht kg
Type A	Ø32	Ø51	2"	82	164	19	750	1,95
Type B								
B1	Ø26.6	Ø40	1"	64	128	24	300	0,73
B2	Ø37	Ø50	1 1/4"	78	156	32	550	1,35
B3	Ø41	Ø50	1 1/2"	78	156	32	700	1,50

