

PLAATSTALEN TWEEPUNTS FLENSLAGERBLOKKEN

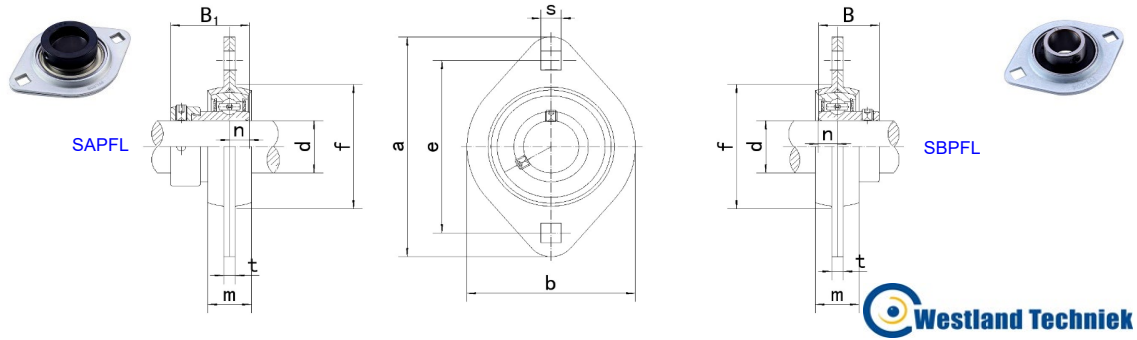
PRESSED HOUSING TWO BOLT FLANGE UNITS

Plaatstalen lagerblokken / SBPFL201 - SBPFL208 & SAPFL201 - SAPFL208

SBPFL
met stelbout

SAPFL

met excentrische klemring



Westland Techniek

Type	Code	Afmetingen (mm / in.)										Bout mm/in.	Lagertype	Huis	Gewicht (kg)
		d	a	e	b	m	S	t	f (min)	B	n				
SBPFL 201	240201002	12	81	63,5	59	14	7,1	4	49	22	6	M6	SB201	PFL203	0,18
201-8	-	1/2	3-3/16	2-1/2	2-21/64	9/16	9/32	0.157	1-59/64	0.8661	0.2362	1/4	SB201-8	PFL203	0,18
SBPFL 202	240202002	15	81	63,5	59	14	7,1	4	49	22	6	M6	SB202	PFL203	0,18
202-9	-	9/16	3-3/16	2-1/2	2-21/64	9/16	9/32	0.157	1-59/64	0.8661	0.2362	1/4	SB202-9	PFL203	0,18
202-10	-	5/8	3-3/16	2-1/2	2-21/64	9/16	9/32	0.157	1-59/64	0.8661	0.2362	1/4	SB202-10	PFL203	0,18
SBPFL 203	240203002	17	81	63,5	59	14	7,1	4	49	22	6	M6	SB203	PFL203	0,18
203-11	-	11/16	3-3/16	2-1/2	2-21/64	9/16	9/32	0.157	1-59/64	0.8661	0.2362	1/4	SB203-11	PFL203	0,18
SBPFL 204	240204002	20	90	71,5	67	16	9	4	56	25	7	M8	SB204	PFL204	0,22
204-12	-	3/4	3-35/64	2-13/16	2-41/64	5/8	23/64	0.157	2-13/64	0.9843	0.2756	5/16	SB204-12	PFL204	0,22
SBPFL 205	240205002	25	95	76	71	18	9	4	60	27	7,5	M8	SB205	PFL205	0,25
205-13	-	13/16	3-3/4	2-63/64	2-51/64	23/32	23/64	0.157	2-23/64	1.0630	0.2953	5/16	SB205-13	PFL205	0,25
205-14	-	7/8	3-3/4	2-63/64	2-51/64	23/32	23/64	0.157	2-23/64	1.0630	0.2953	5/16	SB205-14	PFL205	0,25
205-15	-	15/16	3-3/4	2-63/64	2-51/64	23/32	23/64	0.157	2-23/64	1.0630	0.2953	5/16	SB205-15	PFL205	0,25
205-16	-	1	3-3/4	2-63/64	2-51/64	23/32	23/64	0.157	2-23/64	1.0630	0.2953	5/16	SB205-16	PFL205	0,25
SBPFL 206	240206002	30	113	90,5	84	18	11	5,2	71	30	8	M10	SB206	PFL206	0,40
206-17	-	1-1/16	4-7/16	3-9/16	3-5/16	23/32	7/16	0.205	2-51/64	1.1811	0.3150	3/8	SB206-17	PFL206	0,40
206-18	-	1-1/8	4-7/16	3-9/16	3-5/16	23/32	7/16	0.205	2-51/64	1.1811	0.3150	3/8	SB206-18	PFL206	0,40
206-19	-	1-3/16	4-7/16	3-9/16	3-5/16	23/32	7/16	0.205	2-51/64	1.1811	0.3150	3/8	SB206-19	PFL206	0,40
206-20	-	1-1/4	4-7/16	3-9/16	3-5/16	23/32	7/16	0.205	2-51/64	1.1811	0.3150	3/8	SB206-20	PFL206	0,40
SBPFL 207	240207002	35	122	100	94	20	11	5,2	81	32	8,5	M10	SB207	PFL207	0,53
207-20	-	1-1/4	4-13/16	3-15/16	3-45/64	25/32	7/16	0.205	3-3/16	1.2598	0.3346	3/8	SB207-20	PFL207	0,53
207-21	-	1-5/16	4-13/16	3-15/16	3-45/64	25/32	7/16	0.205	3-3/16	1.2598	0.3346	3/8	SB207-21	PFL207	0,53
207-22	-	1-3/8	4-13/16	3-15/16	3-45/64	25/32	7/16	0.205	3-3/16	1.2598	0.3346	3/8	SB207-22	PFL207	0,53
207-23	-	1-7/16	4-13/16	3-15/16	3-45/64	25/32	7/16	0.205	3-3/16	1.2598	0.3346	3/8	SB207-23	PFL207	0,53
SBPFL 208	240208002	40	148	119	100	21	13,5	6,8	91	34	9	M12	SB208	PFL208	0,75
208-24	-	1-1/2	5-13/16	4-11/16	3-15/16	13/16	17/32	0.268	3-37/64	1.3386	0.3543	1/2	SB208-24	PFL208	0,75
208-25	-	1-9/16	5-13/16	4-11/16	3-15/16	13/16	17/32	0.268	3-37/64	1.3386	0.3543	1/2	SB208-25	PFL208	0,75

Type	Code	Afmetingen (mm / in.)										Bout mm/in.	Lagertype	Huis	Gewicht (kg)
		d	a	e	b	m	S	t	f (min)	B1	n				
SAPFL 201	-	12	81	63,5	59	14	7,1	4	49	29	6,5	M6	SA201	PFL203	0,20
201-8	-	1/2	3-3/16	2-1/2	2-21/64	9/16	9/32	0.157	1-59/64	1.1260	0.2559	1/4	SA201-8	PFL203	0,20
SAPFL 202	-	15	81	63,5	59	14	7,1	4	49	29	6,5	M6	SA202	PFL203	0,20
202-9	-	9/16	3-3/16	2-1/2	2-21/64	9/16	9/32	0.157	1-59/64	1.1260	0.2559	1/4	SA202-9	PFL203	0,20
202-10	-	5/8	3-3/16	2-1/2	2-21/64	9/16	9/32	0.157	1-59/64	1.1260	0.2559	1/4	SA202-10	PFL203	0,20
SAPFL 203	-	17	81	63,5	59	14	7,1	4	49	29	6,5	M6	SA203	PFL203	0,20
203-11	-	11/16	3-3/16	2-1/2	2-21/64	9/16	9/32	0.157	1-59/64	1.1260	0.2559	1/4	SA203-11	PFL203	0,20
SAPFL 204	-	20	90	71,5	67	16	9	4	56	31	7,5	M8	SA204	PFL204	0,25
204-12	-	3/4	3-35/64	2-13/16	2-41/64	5/8	23/64	0.157	2-13/64	1.2204	0.2953	5/16	SA204-12	PFL204	0,25
SAPFL 205	-	25	95	76	71	18	9	4	60	31	7,5	M8	SA205	PFL205	0,29
205-13	-	13/16	3-3/4	2-63/64	2-51/64	23/32	23/64	0.157	2-23/64	1.2204	0.2953	5/16	SA205-13	PFL205	0,29
205-14	-	7/8	3-3/4	2-63/64	2-51/64	23/32	23/64	0.157	2-23/64	1.2204	0.2953	5/16	SA205-14	PFL205	0,29
205-15	-	15/16	3-3/4	2-63/64	2-51/64	23/32	23/64	0.157	2-23/64	1.2204	0.2953	5/16	SA205-15	PFL205	0,29
205-16	-	1	3-3/4	2-63/64	2-51/64	23/32	23/64	0.157	2-23/64	1.2204	0.2953	5/16	SA205-16	PFL205	0,29
SAPFL 206	-	30	113	90,5	84	18	11	5,2	71	35,7	9	M10	SA206	PFL206	0,46
206-17	-	1-1/16	4-7/16	3-9/16	3-5/16	23/32	7/16	0.205	2-51/64	1.4055	0.3543	3/8	SA206-17	PFL206	0,46
206-18	-	1-1/8	4-7/16	3-9/16	3-5/16	23/32	7/16	0.205	2-51/64	1.4055	0.3543	3/8	SA206-18	PFL206	0,46
206-19	-	1-3/16	4-7/16	3-9/16	3-5/16	23/32	7/16	0.205	2-51/64	1.4055	0.3543	3/8	SA206-19	PFL206	0,46
206-20	-	1-1/4	4-7/16	3-9/16	3-5/16	23/32	7/16	0.205	2-51/64	1.4055	0.3543	3/8	SA206-20	PFL206	0,46
SAPFL 207	-	35	122	100	94	20	11	5,2	81	38,9	9,5	M10	SA207	PFL207	0,67
207-20	-	1-1/4	4-13/16	3-15/16	3-45/64	25/32	7/16	0.205	3-3/16	1.5315	0.3740	3/8	SA207-20	PFL207	0,67
207-21	-	1-5/16	4-13/16	3-15/16	3-45/64	25/32	7/16	0.205	3-3/16	1.5315	0.3740	3/8	SA207-21	PFL207	0,67
207-22	-	1-3/8	4-13/16	3-15/16	3-45/64	25/32	7/16	0.205	3-3/16	1.5315	0.3740	3/8	SA207-22	PFL207	0,67
207-23	-	1-7/16	4-13/16	3-15/16	3-45/64	25/32	7/16	0.205	3-3/16	1.5315	0.3740	3/8	SA207-23	PFL207	0,67
SAPFL 208	-	40	148	119	100	21	13,5	6,8	91	43,7	11	M12	SA208	PFL208	0,91
208-24	-	1-1/2	5-13/16	4-11/16	3-15/16	13/16	17/32	0.268	3-37/64	1.7205	0.4331	1/2	SA208-24	PFL208	0,91
208-25	-	1-9/16	5-13/16	4-11/16	3-15/16	13/16	17/32	0.268	3-37/64	1.7205	0.4331	1/2	SA208-25	PFL208	0,91