

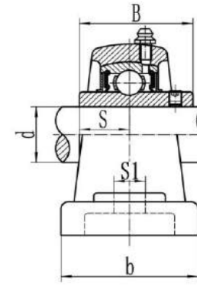
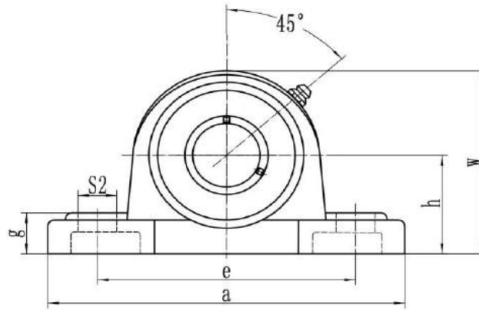
RVS STAANDE LAGERBLOKKEN STAINLESS STEEL PILLOW BLOCK UNITS

RVS lagerblokken / RVS inserts / SS-UCP201 - SS-UCP218



SS-UCP

Wordt niet als compleet lagerblok geleverd
Huizen en lagers apart verkrijgbaar



Full body



Type	Afmetingen (mm)												Lagertype*	Code lager	Huis	Code huis	Gewicht (kg)
	D	d	h	a	e	b	S1	S2	g	W	S	B					
SS-UCP201	47	12	33,3	127	95	38	13	19	14	65	12,7	31,0	SS-UC201	242201006	SS-P204	233204000	0,73
SS-UCP202	47	15	33,3	127	95	38	13	19	14	65	12,7	31,0	SS-UC202	242202006	SS-P204	233204000	0,73
SS-UCP203	47	17	33,3	127	95	38	13	19	14	65	12,7	31,0	SS-UC203	242203006	SS-P204	233204000	0,73
SS-UCP204	47	20	33,3	127	95	38	13	19	14	65	12,7	31,0	SS-UC204	242204006	SS-P204	233204000	0,73
SS-UCP205	52	25	36,5	140	105	38	13	19	15	71	14,3	31,0	SS-UC205	242205006	SS-P205	233205000	0,91
SS-UCP206	62	30	42,9	165	121	47	17	21	17	83	15,9	34,1	SS-UC206	242206006	SS-P206	233206000	1,32
SS-UCP207	72	35	47,6	167	127	48	17	21	18	93	17,5	38,1	SS-UC207	242207006	SS-P207	233207000	1,72
SS-UCP208	80	40	49,2	184	137	54	17	21	18	100	19,0	42,9	SS-UC208	242208006	SS-P208	233208000	2,14
SS-UCP209	85	45	54,0	190	146	54	17	21	20	106	19,0	49,2	SS-UC209	242209006	SS-P209	233209000	2,15
SS-UCP210	90	50	57,2	206	159	60	20	25	12	114	19,0	51,6	SS-UC210	242210006	SS-P210	233210000	3,10
SS-UCP211	100	55	63,5	219	171	60	20	25	13	126	22,2	55,6	SS-UC211	242211006	SS-P211	233211000	3,85
SS-UCP212	110	60	69,8	241	184	70	20	25	25	137	25,4	65,1	SS-UC212	242212006	SS-P212	233212000	5,10
SS-UCP213	120	65	76,2	265	203	70	25	30	27	150	25,4	65,1	SS-UC213	242213006	SS-P213	233213000	6,26
SS-UCP214	125	70	79,4	265	210	72	25	30	27	155	30,2	74,6	SS-UC214	242214006	SS-P214	233214000	6,90
SS-UCP215	130	75	82,6	274	217	74	25	31	28	162	33,3	77,8	SS-UC215	242215006	SS-P215	233215000	7,62
SS-UCP216	140	80	88,9	292	232	78	25	31	30	172	33,3	82,6	SS-UC216	242216006	SS-P216	233216000	9,03
SS-UCP217	150	85	95,2	309	247	83	25	31	32	186	34,1	85,7	SS-UC217	242217006	SS-P217	233217000	11,28
SS-UCP218	160	90	101,6	326	262	88	27	36	33	198	39,1	96,0	SS-UC218	242218006	SS-P218	233218000	13,45

* Lagerhuis valt te combineren met andere inserts (Bijv. Chroomstaal of SKF)

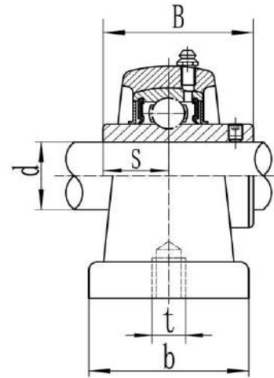
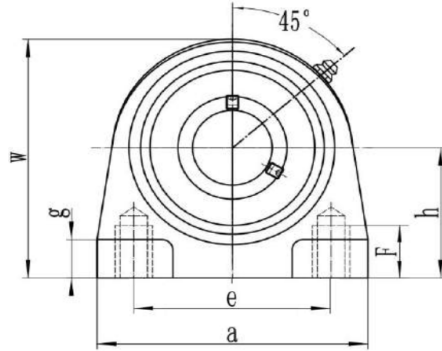
RVS STAANDE LAGERBLOKKEN

STAINLESS STEEL PILLOW BLOCK UNITS

RVS lagerblokken / RVS inserts / SS-U CPA201 - SS-U CPA213

SS-U CPA

Wordt niet als compleet lagerblok geleverd
Huizen en lagers apart verkrijgbaar



 Westland Techniek

Type	Afmetingen (mm)												Lagertype *	Code lager	Huis	Code huis	Gewicht (kg)
	D	d	h	a	e	b	g	W	F	t	S	B					
SS-U CPA201	47	12	30,2	76	52	40	11	62	13	M10	12,7	31,0	SS-UC201	242201006	SS-PA204	233204001	0,57
SS-U CPA202	47	15	30,2	76	52	40	11	62	13	M10	12,7	31,0	SS-UC202	242202006	SS-PA204	233204001	0,57
SS-U CPA203	47	17	30,2	76	52	40	11	62	13	M10	12,7	31,0	SS-UC203	242203006	SS-PA204	233204001	0,57
SS-U CPA204	47	20	30,2	76	52	40	11	62	13	M10	12,7	31,0	SS-UC204	242204006	SS-PA204	233204001	0,57
SS-U CPA205	52	25	36,5	84	56	38	12	72	15	M10	14,3	34,1	SS-UC205	242205006	SS-PA205	233205001	0,81
SS-U CPA206	62	30	42,9	94	66	50	12	84	18	M14	15,9	38,1	SS-UC206	242206006	SS-PA206	233206001	1,17
SS-U CPA207	72	36	47,6	109	80	55	13	95	20	M14	17,5	42,9	SS-UC207	242207006	SS-PA207	233207001	1,65
SS-U CPA208	80	40	49,2	116	84	58	13	100	20	M14	19,0	49,2	SS-UC208	242208006	SS-PA208	233208001	1,90
SS-U CPA209	85	45	54,2	120	90	60	13	108	25	M14	19,0	49,2	SS-UC209	242209006	SS-PA209	233209001	2,17
SS-U CPA210	90	50	57,2	130	94	64	14	116	25	M16	19,0	51,6	SS-UC210	242210006	SS-PA210	233210001	2,73
SS-U CPA211	100	55	63,5	140	104	66	14	125	25	M16	22,2	55,6	SS-UC211	242211006	SS-PA211	233211001	3,37
SS-U CPA212	110	60	69,9	150	114	68	15	138	25	M16	25,4	65,1	SS-UC212	242212006	SS-PA212	233212001	4,37
SS-U CPA213	120	65	76,2	160	124	70	15	150	25	M16	25,4	65,1	SS-UC213	242213006	SS-PA213	233213001	5,36

* Lagerhuis valt te combineren met andere inserts (Bijv,Chroomstaal of SKF)