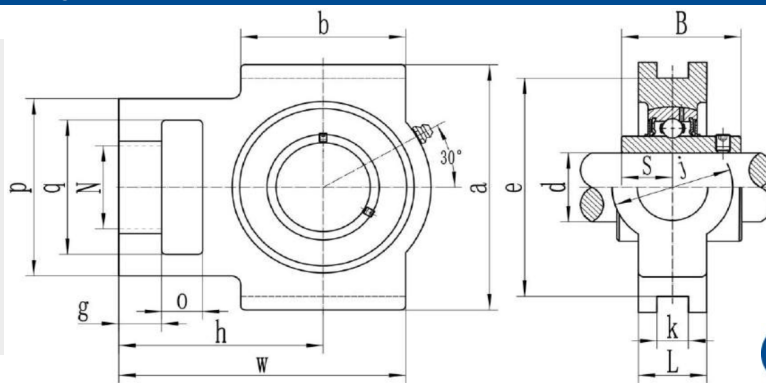


RVS SPANLAGERBLOKKEN STAINLESS STEEL TAKE UP UNITS

RVS lagerblokken / RVS inserts / SS-UCT201 - SS-UCT218

SS-UCT

Wordt niet als compleet lagerblok geleverd
Huizen en lagers apart verkrijgbaar



Full body



Type	Afmetingen (mm)																	Lagertype *	Code lager	Huis	Code huis	Gewicht (kg)
	D	d	w	h	g	b	N	q	o	a	e	p	j	k	L	B	S					
SS-UCT201	47	12	94	61	10	51	19	32	16	89	76	51	32	12	21	31,0	12,7	SS-UC201	242201006	SS-T204	233204011	0,89
SS-UCT202	47	15	94	61	10	51	19	32	16	89	76	51	32	12	21	31,0	12,7	SS-UC202	242202006	SS-T204	233204011	0,89
SS-UCT203	47	17	94	61	10	51	19	32	16	89	76	51	32	12	21	31,0	12,7	SS-UC203	242203006	SS-T204	233204011	0,89
SS-UCT204	47	20	94	61	10	51	19	32	16	89	76	51	32	12	21	31,0	12,7	SS-UC204	242204006	SS-T204	233204011	0,89
SS-UCT205	52	25	91	62	10	51	19	32	16	89	76	51	32	12	24	34,1	14,3	SS-UC205	242205006	SS-T205	233205011	0,99
SS-UCT206	62	30	113	70	11	57	22	37	16	102	89	56	37	12	28	38,1	15,9	SS-UC206	242206006	SS-T206	233206011	1,46
SS-UCT207	72	35	130	78	14	64	22	37	16	102	89	64	37	12	30	42,9	17,5	SS-UC207	242207006	SS-T207	233207011	1,81
SS-UCT208	80	40	144	88	17	83	29	49	19	114	102	83	49	16	33	49,2	19,0	SS-UC208	242208006	SS-T208	233208011	2,68
SS-UCT209	85	45	145	87	17	83	29	49	19	117	102	83	49	16	35	49,2	19,0	SS-UC209	242209006	SS-T209	233209011	2,99
SS-UCT210	90	50	150	90	17	86	29	49	19	117	102	83	49	16	37	51,6	19,0	SS-UC210	242210006	SS-T210	233210011	2,98
SS-UCT211	100	55	171	106	19	95	35	64	25	145	130	102	64	22	38	55,6	22,2	SS-UC211	242211006	SS-T211	233211011	4,52
SS-UCT212	110	60	194	119	19	102	35	64	32	145	130	102	64	22	42	65,1	25,4	SS-UC212	242212006	SS-T212	233212011	5,57
SS-UCT213	120	65	223	137	21	120	41	70	32	167	151	111	70	26	44	65,1	25,4	SS-UC213	242213006	SS-T213	233213011	7,6
SS-UCT214	125	70	223	137	21	120	41	70	32	167	151	111	70	26	46	74,6	30,2	SS-UC214	242214006	SS-T214	233214011	7,66
SS-UCT215	130	75	223	140	21	121	41	70	32	167	151	111	70	26	48	77,8	33,3	SS-UC215	242215006	SS-T215	233215011	8,29
SS-UCT216	140	80	232	140	21	121	41	70	32	184	165	111	70	26	51	82,6	33,3	SS-UC216	242216006	SS-T216	233216011	9,32
SS-UCT217	150	85	258	162	29	157	48	73	38	198	173	123	73	30	54	85,7	34,1	SS-UC217	242217006	SS-T217	233217011	11,96
SS-UCT218	160	90	275	170	30	140	48	80	40	215	190	130	80	30	55	96,0	39,7	SS-UC218	242218006	SS-T218	233218011	14,73

* Lagerhuis valt te combineren met andere inserts (Bijv,Chroomstaal of SKF)

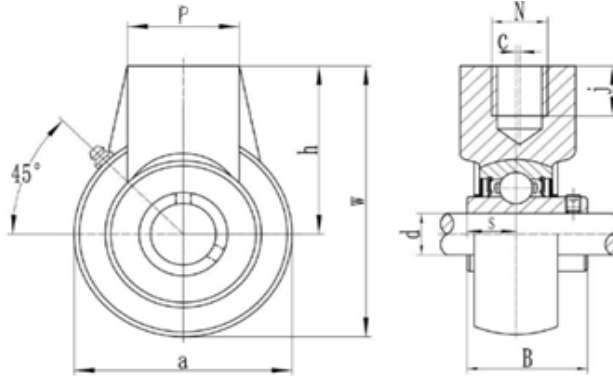
RVS SPANLAGERBLOKKEN

STAINLESS STEEL TAKE UP UNITS

RVS lagerblokken / RVS inserts / SS-UCHA201 - SS-UCHA212

SS-UCHA

Wordt niet als compleet lagerblok geleverd
Huis en lagers apart verkrijgbaar



Full body
metrische draad



Type	Afmetingen (mm)											Lagertype	Code lager	Huis	Code huis	Gewicht (kg)
	D	d	a	P	w	h	c	j	N	B	S					
SS-UCHA201	47	12	64	40	96	64	0	19	M16	31,0	12,7	SS-UC201	242201006	SS-HA204	233204012	0,69
SS-UCHA202	47	15	64	40	96	64	0	19	M16	32,0	12,8	SS-UC202	242202006	SS-HA204	233204012	0,69
SS-UCHA203	47	17	64	40	96	64	0	19	M16	33,0	12,9	SS-UC203	242203006	SS-HA204	233204012	0,69
SS-UCHA204	47	20	64	40	96	64	0	19	M20	31,0	12,7	SS-UC204	242204006	SS-HA204	233204012	0,69
SS-UCHA205	52	25	78	40	103	64	0	19	M24	34,1	14,3	SS-UC205	242205006	SS-HA205	233205012	1,00
SS-UCHA206	62	30	78	40	103	64	0	19	M24	38,1	15,9	SS-UC206	242206006	SS-HA206	233206012	1,00
SS-UCHA207	72	35	92	40	116	70	0	19	M24	42,9	17,5	SS-UC207	242207006	SS-HA207	233207012	1,38
SS-UCHA208	80	40	96	40	121	73	2	19	M24	49,2	19,0	SS-UC208	242208006	SS-HA208	233208012	1,64
SS-UCHA209	85	45	108	48	136	82	5	21	M24	49,2	19,0	SS-UC209	242209006	SS-HA209	233209012	2,08
SS-UCHA210	90	50	118	48	142	83	5	21	M24	51,6	19,0	SS-UC210	242210006	SS-HA210	233210012	2,61
SS-UCHA211	100	55	126	60	150	87	7	25	M24	55,6	22,2	SS-UC211	242211006	SS-HA211	233211012	2,94
SS-UCHA212	110	60	142	60	173	102	9	28	M24	65,1	25,4	SS-UC212	242212006	SS-HA212	233212012	4,40

* Lagerhuis valt te combineren met andere inserts (Bijv,Chroomstaal of SKF)