

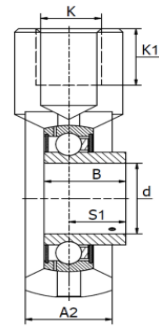
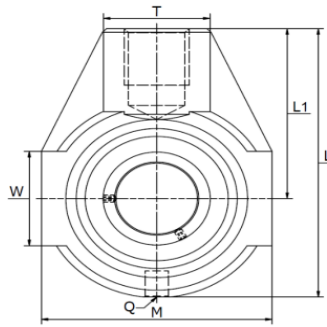
SPANLAGERBLOKKEN PTI

TAKE UP UNITS PTI

Gegoten lagerblokken / SPK 20 S - SPK 60 S

SPK S PHEY

Stelbout in binnenring



Materiaal: gietijzeren behuizing, radiale insert kogellager

Type	Code	Afmetingen (mm)											Lagertype	Gewicht (kg)	
		d	L	M	A ₂	B	K	K ₁	L ₁	Q	S ₁	T			W
SPK 20 S	310074204	20	91	65	25	25,0	M16	21	58	Rp1/8	18,0	30	38	SB 204	0,54
SPK 25 S	310074205	25	99	70	28	27,0	M20	22	64	Rp1/8	19,5	35	38	SB 205	0,71
SPK 30 S	310074206	30	114	85	32	30,0	M24	24	72	Rp1/8	21,0	40	40	SB 206	1,09
SPK 35 S	310074207	35	122	90	32	35,0	M24	24	76	Rp1/8	25,5	40	49	SB 207	1,32
SPK 40 S	310074208	40	135	100	36	39,5	M24	24	85	Rp1/8	29,0	40	45	SB 208	1,65
SPK 45 S	310074209	45	145	110	40	41,5	M24	24	90	Rp1/8	30,5	40	45	SB 209	1,89
SPK 50 S	310074210	50	145	110	40	43,0	M25	24	90	Rp1/8	32,0	40	46	SB 210	1,92
SPK 60 S	310074212	60	175	143	42	47,0	M26	24	104	Rp1/8	34,0	61	51	SB 212	3,83