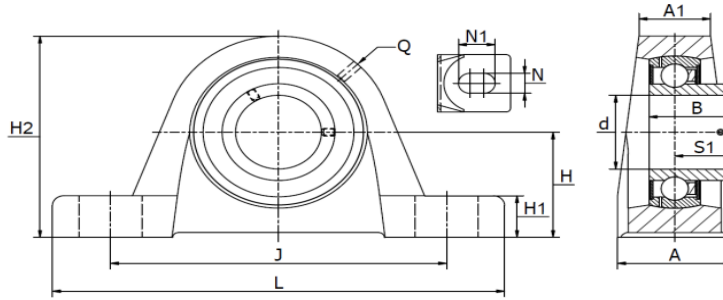


STAANDE LAGERBLOKKEN PTI PILLOW BLOCK UNITS PTI

Gegoten lagerblokken / SW 12 S-PASEY12 - SW 60 S-PASEY60

SW S PASEY

Stelbout in binnenring



 **Westland Techniek**

Materiaal: gietijzeren behuizing, radiale insert kogellager

Type	Code	Afmetingen (mm)													(kg)		
		d	L	H ₂	A	A ₁	B	H	H ₁	J	N	N ₁	Q	S ₁	Lagertype	Gewicht	Kap
SW 12 S-PASEY12	310007201	12	125	57	30	18	22,0	30,2	10,0	95	11	19	M6	16,0	SB 201	0,44	-
SW 15 S-PASEY15	310007202	15	125	57	30	18	22,0	30,2	10,0	95	11	19	M6	16,0	SB 202	0,43	-
SW 17 S-PASEY17	310007203	17	125	57	30	18	22,0	30,2	10,0	95	11	19	M6	16,0	SB 203	0,42	-
SW 20 S-PASEY20	310007204	20	130	64	32	19	25,0	33,3	14,5	97	11	19	R1/8	18,0	SB 204	0,52	-
SW 25 S-PASEY25	310007205	25	130	70	36	22	27,0	36,5	14,5	103	11	19	R1/8	19,5	SB 205	0,61	KASK05
SW 30 S-PASEY30	310007206	30	158	82	40	25	30,0	42,9	17,0	118	14	22	R1/8	21,0	SB 206	0,98	KASK06
SW 35 S-PASEY35	310007207	35	163	93	45	27	35,0	47,6	19,0	126	14	21	R1/8	25,5	SB 207	1,44	-
SW 40 S-PASEY40	310007208	40	179	99	48	30	39,5	49,2	19,0	138	14	26	R1/8	29,0	SB 208	1,60	KASK08
SW 45 S-PASEY45	310007209	45	192	107	48	32	41,5	54,0	21,5	150	14	29	R1/8	30,5	SB 209	1,95	Kap Ø45
SW 50 S-PASEY50	310007210	50	200	115	54	34	43,0	57,2	21,5	158	18	23	R1/8	32,0	SB 210	2,32	KASK10
SW 60 S-PASEY60	310007212	60	240	140	60	42	47,0	69,9	25,0	190	18	28	R1/8	34,0	SB 212	4,02	KASK12