

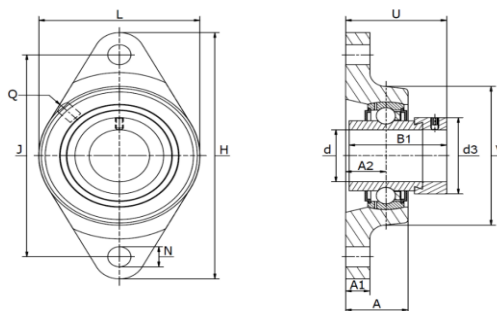
TWEEPUNTS FLENSLAGERBLOKKEN PTI

TWO BOLT FLANGE UNITS PTI

Gegoten lagerblokken / OWF 20 A ZP - OWF 75 ZP

OWF A ZP RCJT..FA125

Excentrische klemring
Incl. zink behandeling



Materiaal: gietijzeren behuizing, radiale insert kogellager, zink behandeling

Type	Code	Afmetingen (mm)												Lagertype	(kg)		
		d	H	U	A	A ₁	A ₂	B ₁	d _{3 max}	J	L	N	Q		V	Gewicht	Kap
OWF 20 A ZP	310023204	20	112	45,6	28,0	10,0	19	43,7	33,0	90,0	61	11,5	Rp 1/8	61	HC 204 ZP	0,52	-
OWF 25 A ZP	310023205	25	124	46,0	29,0	11,0	19	44,4	37,5	99,0	70	11,5	Rp 1/8	70	HC 205 ZP	0,62	KASK 05
OWF 30 A ZP	310023206	30	142	50,2	29,0	12,0	20	48,4	44,0	116,5	80	11,5	Rp 1/8	80	HC 206 ZP	0,88	KASK 06
OWF 35 A ZP	310023207	35	155	53,5	30,5	12,5	21	51,1	51,0	130,0	92	14,0	Rp 1/8	92	HC 207 ZP	1,19	KASK 07
OWF 40 A ZP	310023208	40	172	59,1	34,5	13,0	24	56,3	60,3	143,5	105	14,0	Rp 1/8	105	HC 208 ZP	1,66	KASK 08
OWF 45 A ZP	310023209	45	180	59,1	35,0	13,0	24	56,3	63,0	148,5	111	14,0	Rp 1/8	111	HC 209 ZP	1,81	Kap Ø45
OWF 50 A ZP	310023210	50	190	66,2	39,0	13,0	28	62,7	69,0	157,0	116	18,0	Rp 1/8	116	HC 210 ZP	2,20	KASK 10
OWF 55 A ZP	310023211	55	222	74,6	43,5	15,0	31	71,4	76,0	184,0	134	18,0	Rp 1/8	134	HC 211 ZP	2,92	-
OWF 60 A ZP	310023212	60	238	80,8	46,0	16,0	34	77,7	84,0	202,0	138	18,0	Rp 1/8	138	HC 212 ZP	3,69	-
OWF 65 A ZP	310023213	65	258	82,6	57,0	18,0	38	66,0	96,0	216,0	160	21,0	Rp 1/8	160	HC 213 ZP	6,41	-
OWF 70 A ZP	310023214	70	258	82,6	57,0	18,0	38	66,0	96,0	216,0	160	21,0	Rp 1/8	160	HC 214 ZP	6,15	-
OWF 75 A ZP	310023215	75	258	83,6	57,0	18,0	38	67,0	100,0	216,0	160	21,0	Rp 1/8	160	HC 215 ZP	6,00	-