

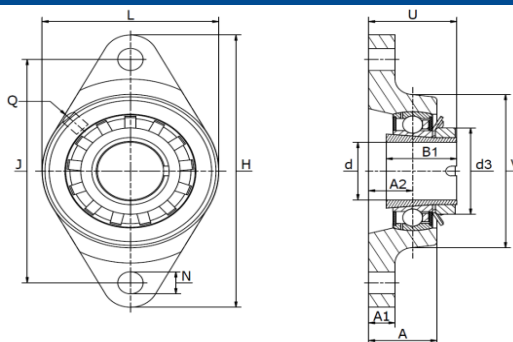
TWEEPUNTS FLENSLAGERBLOKKEN PTI

TWO BOLT FLANGE UNITS PTI

Gegoten lagerblokken / OWF 25 K - OWF 60 K

OWF K

Trekbus (niet inbegrepen)



Materiaal: gietijzeren behuizing, radiale insert kogellager

Type	Code	Afmetingen (mm)													(kg)		
		d	H	U	A	A ₁	A ₂	B ₁	d _{3 max}	J	L	N	Q	V	Lagertype + trekbus (excl.)	Gewicht	Kap
OWF 25 K	310028205	20	124	37,5	29,0	11,0	19	35	38	99,0	70	11,5	Rp 1/8	70	UK 205 + H2305	0,62	KASK 05
OWF 30 K	310028206	25	142	39,9	29,0	12,0	20	38	45	116,5	80	11,5	Rp 1/8	80	UK 206 + H2306	0,88	KASK 06
OWF 35 K	310028207	30	155	41,1	30,5	12,5	21	43	52	130,0	92	14,0	Rp 1/8	92	UK 207 + H2307	1,19	KASK 07
OWF 40 K	310028208	35	172	44,9	34,5	13,0	24	46	58	143,5	105	14,0	Rp 1/8	105	UK 208 + H2308	1,66	KASK 08
OWF 45 K	310028209	40	180	46,9	35,0	13,0	24	50	65	148,5	111	14,0	Rp 1/8	111	UK 209 + H2309	1,81	Kap Ø45
OWF 50 K	310028210	45	190	55,1	39,0	13,0	28	55	70	157,0	116	18,0	Rp 1/8	116	UK 210 + H2310	2,20	KASK 10
OWF 55 K	310028211	50	222	46,9	43,5	15,0	31	59	75	184,0	134	18,0	Rp 1/8	134	UK 211 + H2311	2,92	-
OWF 60 K	310028212	55	238	60,1	46,0	16,0	34	62	80	202,0	138	18,0	Rp 1/8	138	UK 212 + H2312	3,69	-