

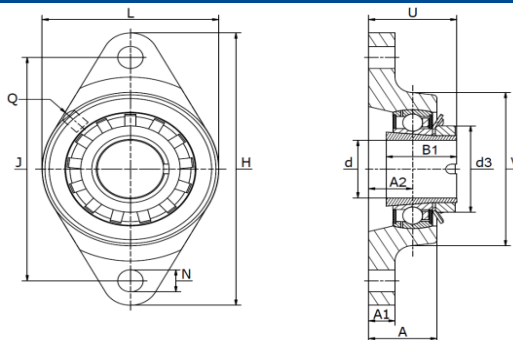
TWEEPUNTS FLENSLAGERBLOKKEN PTI

TWO BOLT FLANGE UNITS PTI

Gegoten lagerblokken / OWF 20 K - OWF 50 K

OWF KG RCJTA

Trekbus (inbegrepen)



Materiaal: gietijzeren behuizing, radiale insert kogellager

Type	Code	Afmetingen (mm)												(kg)			
		d	H	U	A	A ₁	A ₂	B ₁	d _{3 max}	J	L	N	Q	V	Lagertype + trekbus	Gewicht	Kap
OWF 20 KG	310027204	20	112	42,5	28,0	10,0	19	28	32	90,0	61	11,5	Rp 1/8	61	GSH 20 RRB	0,52	-
OWF 25 KG	310027205	25	124	42,5	29,0	11,0	19	28	38	99,0	70	11,5	Rp 1/8	70	GSH 25 RRB	0,54	KASK 05
OWF 30 KG	310027206	30	142	44,0	29,0	12,0	20	32	45	116,5	80	11,5	Rp 1/8	80	GSH 30 RRB	0,77	KASK 06
OWF 35 KG	310027207	35	155	46,0	30,5	12,5	21	34	52	130,0	92	14,0	Rp 1/8	92	GSH 35 RRB	1,02	KASK 07
OWF 40 KG	310027208	40	172	51,0	34,5	13,0	24	38	58	143,5	105	14,0	Rp 1/8	105	GSH 40 RRB	1,46	KASK 08
OWF 45 KG	310027209	45	180	56,7	35,0	13,0	24	46	62	148,5	111	14,0	Rp 1/8	111	GSH 45 RRB	1,69	Kap Ø45
OWF 50 KG	310027210	50	190	60,7	39,0	13,0	28	40	70	157,0	116	18,0	Rp 1/8	116	GSH 50 RRB	1,97	KASK 10