

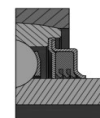
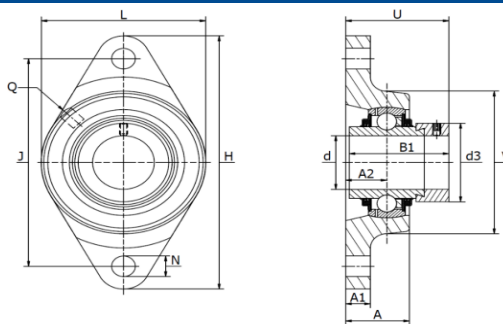
TWEEPUNTS FLENSLAGERBLOKKEN PTI

TWO BOLT FLANGE UNITS PTI

Gegoten lagerblokken / OWF 20 T - OWF 75 T

OWF T TCJT

Excentrische klemring
Driedubbele afdichting



Tripple lip seal



Materiaal: gietijzeren behuizing, radiale insert kogellager, driedubbele afdichting

Type	Code	Afmetingen (mm)													Lagertype	(kg)	
		d	H	U	A	A ₁	A ₂	B ₁	d _{3 max}	J	L	N	Q	V		Gewicht	Kap
OWF 20 T	310024204	20	112	45,6	28,0	10,0	19	43,7	33,0	90,0	61	11,5	Rp 1/8	61	HC 204 R3	0,52	-
OWF 25 T	310024205	25	124	46,0	29,0	11,0	19	44,4	37,5	99,0	70	11,5	Rp 1/8	70	HC 205 R3	0,62	KASK 05
OWF 30 T	310024206	30	142	50,2	29,0	12,0	20	48,4	44,0	116,5	80	11,5	Rp 1/8	80	HC 206 R3	0,88	KASK 06
OWF 35 T	310024207	35	155	53,5	30,5	12,5	21	51,1	51,0	130,0	92	14,0	Rp 1/8	92	HC 207 R3	1,19	KASK 07
OWF 40 T	310024208	40	172	59,1	34,5	13,0	24	56,3	58,0	143,5	105	14,0	Rp 1/8	105	HC 208 R3	1,66	KASK 08
OWF 45 T	310024209	45	180	59,1	35,0	13,0	24	56,3	63,0	148,5	111	14,0	Rp 1/8	111	HC 209 R3	1,81	Kap Ø45
OWF 50 T	310024210	50	190	66,2	39,0	13,0	28	62,7	69,0	157,0	116	18,0	Rp 1/8	116	HC 210 R3	2,20	KASK 10
OWF 55 T	310024211	55	222	74,6	43,5	15,0	31	71,4	76,0	184,0	134	18,0	Rp 1/8	134	HC 211 R3	2,92	-
OWF 60 T	310024212	60	238	80,8	46,0	16,0	34	77,7	84,0	202,0	138	18,0	Rp 1/8	138	HC 212 R3	3,69	-
OWF 65 T	310024213	65	258	82,6	57,0	18,0	38	66,0	96,0	216,0	160	21,0	Rp 1/8	160	HC 213 R3	6,41	-
OWF 70 T	310024214	70	258	82,6	57,0	18,0	38	66,0	96,0	216,0	160	21,0	Rp 1/8	160	HC 214 R3	6,15	-
OWF 75 T	310024215	75	258	83,6	57,0	18,0	38	67,0	100,0	216,0	160	21,0	Rp 1/8	160	HC 215 R3	6,00	-