

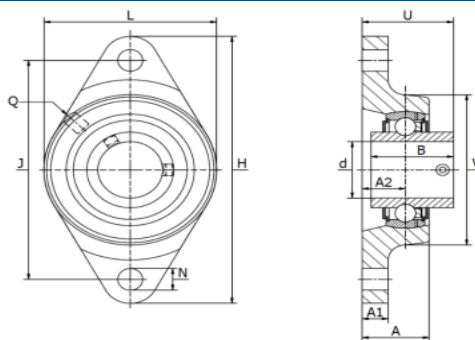
# TWEEPUNTS FLENSLAGERBLOKKEN PTI

## TWO BOLT FLANGE UNITS PTI

Gegoten lagerblokken / OWF 12 U - OWF 75 U

### OWF U RCJTY

Stelbout in binnenring



Materiaal: gietijzeren behuizing, radiale insert kogellager

Type	Code	Afmetingen (mm)											Lagertype	(kg)		
		d	H	U	A	A <sub>1</sub>	A <sub>2</sub>	B	J	L	N	Q		V	Gewicht	Kap
OWF 12 U	310025201	12	99	32,9	25,0	9,5	17,0	27,4	76,5	57	11,5	M6	57	UC 201	0,33	-
OWF 15 U	310025202	15	99	32,9	25,0	9,5	17,0	27,4	76,5	57	11,5	M6	57	UC 202	0,35	-
OWF 17 U	310025203	17	99	32,9	25,0	9,5	17,0	27,4	76,5	57	11,5	M6	57	UC 203	0,37	-
OWF 20 U	310025204	20	112	37,3	28,0	10,0	19,0	31,0	90,0	61	11,5	Rp 1/8	61	UC 204	0,42	-
OWF 25 U	310025205	25	124	38,8	29,0	11,0	19,0	34,1	99,0	70	11,5	Rp 1/8	70	UC 205	0,57	KASK 05
OWF 30 U	310025206	30	142	42,2	29,0	12,0	20,0	38,1	116,5	80	11,5	Rp 1/8	80	UC 206	0,88	KASK 06
OWF 35 U	310025207	35	155	46,4	30,5	12,5	21,0	42,9	130,0	92	14,0	Rp 1/8	92	UC 207	1,13	KASK 07
OWF 40 U	310025208	40	172	54,2	34,5	13,0	24,0	49,2	143,5	105	14,0	Rp 1/8	105	UC 208	1,57	KASK 08
OWF 45 U	310025209	45	180	54,2	35,0	13,0	24,0	49,2	148,5	111	14,0	Rp 1/8	111	UC 209	1,70	Kap Ø45
OWF 50 U	310025210	50	190	60,6	39,0	13,0	28,0	51,6	157,0	116	18,0	Rp 1/8	116	UC 210	2,00	KASK 10
OWF 55 U	310025211	55	222	64,4	43,5	15,0	31,0	55,6	184,0	134	18,0	Rp 1/8	134	UC 211	2,86	-
OWF 60 U	310025212	60	238	73,7	46,0	16,0	34,0	65,1	202,0	138	18,0	Rp 1/8	138	UC 212	3,46	-
OWF 65 U	310025213	65	258	82,4	57,0	18,0	38,0	74,6	216,0	160	21,0	Rp 1/8	160	UC 213	5,95	-
OWF 70 U	310025214	70	258	82,4	57,0	18,0	38,0	74,6	216,0	160	21,0	Rp 1/8	160	UC 214	5,65	-
OWF 75 U	310025215	75	258	82,5	57,0	18,0	38,0	77,8	216,0	160	21,0	Rp 1/8	160	UC 215	5,53	-