

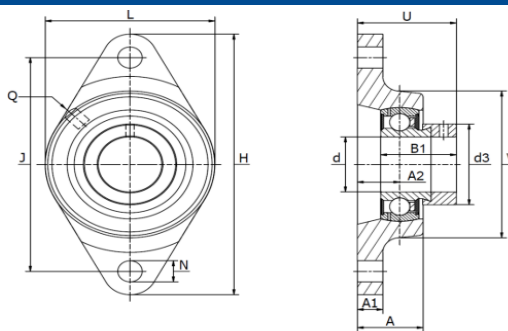
# TWEEPUNTS FLENSLAGERBLOKKEN PTI

## TWO BOLT FLANGE UNITS PTI

Gegoten lagerblokken / OWF 12 ZP - OWF 60 ZP

### OWF ZP PCJT..FA125

Excentrische klemring  
Incl. zink behandeling



Materiaal: gietijzeren behuizing, radiale insert kogellager, zink behandeling

Type	Code	Afmetingen (mm)													Lagertype	(kg)	
		d	H	U	A	A <sub>1</sub>	A <sub>2</sub>	B <sub>1</sub>	d <sub>3 max</sub>	J	L	N	Q	V		Gewicht	Kap
OWF 12 ZP	310021201	12	99	39,1	25,0	9,5	17	28,6	28,0	76,5	57	11,5	M6	57	SA 201	0,37	-
OWF 15 ZP	310021202	15	99	39,1	25,0	9,5	17	28,6	28,0	76,5	57	11,5	M6	57	SA 202	0,37	-
OWF 17 ZP	310021203	17	99	39,1	25,0	9,5	17	28,6	28,0	76,5	57	11,5	M6	57	SA 203	0,37	-
OWF 20 ZP	310021204	20	112	42,5	28,0	10,0	19	31,0	33,0	90,0	61	11,5	Rp 1/8	61	SA 204	0,48	-
OWF 25 ZP	310021205	25	124	42,5	29,0	11,0	19	31,0	37,5	99,0	70	11,5	Rp 1/8	70	SA 205	0,58	KASK 05
OWF 30 ZP	310021206	30	142	46,7	29,0	12,0	20	35,8	44,0	116,5	80	11,5	Rp 1/8	80	SA 206	0,81	KASK 06
OWF 35 ZP	310021207	35	155	50,5	30,5	12,5	21	39,0	51,0	130,0	92	14,0	Rp 1/8	92	SA 207	1,13	KASK 07
OWF 40 ZP	310021208	40	172	56,7	34,5	13,0	24	43,8	58,0	143,5	105	14,0	Rp 1/8	105	SA 208	1,54	KASK 08
OWF 45 ZP	310021209	45	180	56,7	35,0	13,0	24	43,8	63,0	148,5	111	14,0	Rp 1/8	111	SA 209	1,69	Kap Ø45
OWF 50 ZP	310021210	50	190	60,7	39,0	13,0	28	43,8	69,0	157,0	116	18,0	Rp 1/8	116	SA 210	1,97	KASK 10
OWF 55 ZP	310021211	55	222	67,4	43,5	15,0	31	48,4	76,0	184,0	134	18,0	Rp 1/8	134	SA 211	2,31	-
OWF 60 ZP	310021212	60	238	73,6	46,0	16,0	34	53,1	84,0	202,0	138	18,0	Rp 1/8	138	SA 212	3,25	-