

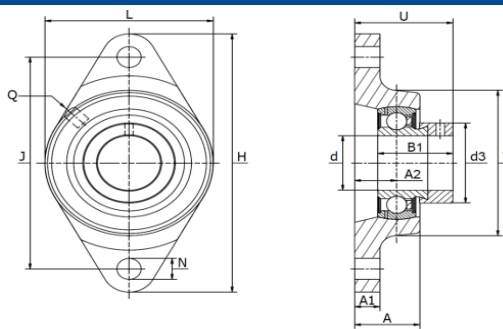
TWEEPUNTS FLENSLAGERBLOKKEN PTI

TWO BOLT FLANGE UNITS PTI

Gegoten lagerblokken / OWF 12 - OWF 60

OWF PCJT

Excentrische klemring



Materiaal: gietijzeren behuizing, radiale insert kogellager

Type	Code	Afmetingen (mm)													Lagertype	(kg)	
		d	H	U	A	A ₁	A ₂	B ₁	d _{3 max}	J	L	N	Q	V		Gewicht	Kap
OWF 12	310020201	12	99	39,1	25,0	9,5	17	28,6	28,0	76,5	57	11,5	M6	57	SA 201	0,37	-
OWF 15	310020202	15	99	39,1	25,0	9,5	17	28,6	28,0	76,5	57	11,5	M6	57	SA 202	0,37	-
OWF 17	310020203	17	99	39,1	25,0	9,5	17	28,6	28,0	76,5	57	11,5	M6	57	SA 203	0,37	-
OWF 20	310020204	20	112	42,5	28,0	10,0	19	31,0	33,0	90,0	61	11,5	Rp 1/8	61	SA 204	0,48	-
OWF 25	310020205	25	124	42,5	29,0	11,0	19	31,0	37,5	99,0	70	11,5	Rp 1/8	70	SA 205	0,58	KASK 05
OWF 30	310020206	30	142	46,7	29,0	12,0	20	35,8	44,0	116,5	80	11,5	Rp 1/8	80	SA 206	0,81	KASK 06
OWF 35	310020207	35	155	50,5	30,5	12,5	21	39,0	51,0	130,0	92	14,0	Rp 1/8	92	SA 207	1,13	KASK 07
OWF 40	310020208	40	172	56,7	34,5	13,0	24	43,8	58,0	143,5	105	14,0	Rp 1/8	105	SA 208	1,54	KASK 08
OWF 45	310020209	45	180	56,7	35,0	13,0	24	43,8	63,0	148,5	111	14,0	Rp 1/8	111	SA 209	1,69	Kap Ø45
OWF 50	310020210	50	190	60,7	39,0	13,0	28	43,8	69,0	157,0	116	18,0	Rp 1/8	116	SA 210	1,97	KASK 10
OWF 55	310020211	55	222	67,4	43,5	15,0	31	48,4	76,0	184,0	134	18,0	Rp 1/8	134	SA 211	2,31	-
OWF 60	310020212	60	238	73,6	46,0	16,0	34	53,1	84,0	202,0	138	18,0	Rp 1/8	138	SA 212	3,25	-