

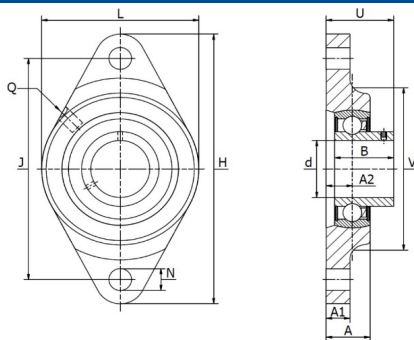
TWEEPUNTS FLENSLAGERBLOKKEN PTI

TWO BOLT FLANGE UNITS PTI

Gegoten lagerblokken / OWFS 12 S - OWFS 50 S

OWFS S PCFTY

Stelbout in binnenring



Materiaal: gietijzeren behuizing, radiale insert kogellager

Type	Code	Afmetingen (mm)											Lagertype	Gewicht (kg)	
		d	H	U	A	A ₁	A ₂	B	J	L	N	Q			V
OWFS 12	310030201	12	99,0	26,0	18,0	9,5	10,0	22,0	76,5	57	11,5	M6	57	SA 201	0,39
OWFS 15	310030202	15	99,0	26,0	18,0	9,5	10,0	22,0	76,5	57	11,5	M6	57	SA 202	0,39
OWFS 17	310030203	17	99,0	26,0	18,0	9,5	10,0	22,0	76,5	57	11,5	M6	57	SA 203	0,39
OWFS 20	310030204	20	112,0	28,5	17,5	10,5	10,5	25,0	90,0	61	11,5	Rp1/8	61	SA 204	0,42
OWFS 25	310030205	25	124,0	32,0	20,0	11,0	12,5	27,0	99,0	70	11,5	Rp1/8	70	SA 205	0,52
OWFS 30	310030206	30	141,5	34,3	25,5	12,0	13,3	30,0	116,5	80	11,5	Rp1/8	80	SA 206	0,77
OWFS 35	310030207	35	155,0	41,0	27,0	12,5	15,5	35,0	130,0	92	14,0	Rp1/8	92	SA 207	1,08
OWFS 40	310030208	40	172,0	47,3	28,8	13,0	18,3	39,5	143,5	105	14,0	Rp1/8	105	SA 208	1,42
OWFS 45	310030209	45	180,0	49,7	30,2	13,0	19,2	43,0	148,5	111	14,0	Rp1/8	111	SA 209	1,59
OWFS 50	310030210	50	190,0	51,2	30,2	13,0	19,2	46,2	157,0	116	14,0	Rp1/8	116	SA 210	2,15