

TWEEPUNTS FLENSLAGERBLOKKEN PTI

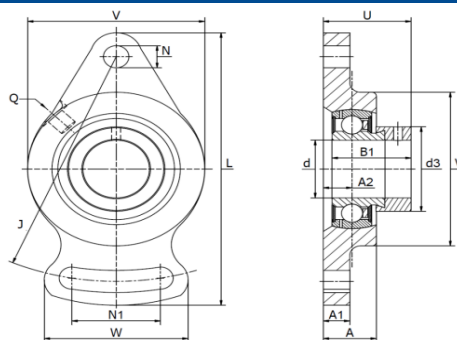
TWO BOLT FLANGE UNITS PTI

Gegoten lagerblokken / WSFL 20 - WSFL 50



WSFL PSFT

Excentrische klemring



Materiaal: gietijzeren behuizing, radiale insert kogellager

Type	Code	Afmetingen (mm)													Lagertype	Gewicht (kg)	
		d	L	U	A	A ₁	A ₂	B ₁	d _{3 max}	J	N	N ₁	Q	V			W
WSFL 20	310035204	20	112	36,0	25	11,0	12,0	31,0	33,0	90	11,5	30,0	M6	61	52	SA 204	0,41
WSFL 25	310035205	25	124	36,0	20	11,0	12,5	31,0	37,5	99	11,5	37,5	M6	70	63	SA 205	0,56
WSFL 30	310035206	30	142	39,7	22	12,0	13,0	35,7	44,0	117	11,5	40,0	M6	80	65	SA 206	0,77
WSFL 35	310035207	35	155	44,5	25	12,5	15,0	38,9	51,0	128	14,0	45,0	M6	90	75	SA 207	1,10
WSFL 40	310035208	40	171	51,7	36	16,0	19,1	43,7	58,0	142	14,0	54,0	M6	100	84	SA 208	1,30
WSFL 45	310035209	45	179	51,7	38	18,0	19,1	43,7	63,0	146	17,0	57,0	M6	110	88	SA 209	1,70
WSFL 50	310035210	50	189	51,7	40	18,0	19,1	43,7	69,0	155	17,0	60,0	M6	115	92	SA 210	2,10