

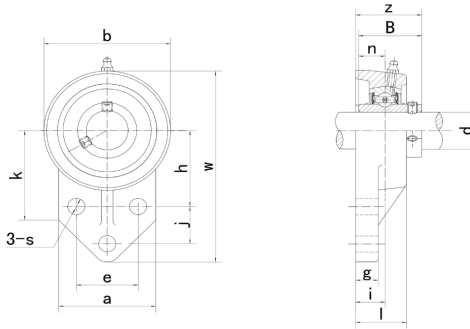
DRIEPUNTS FLENSLAGERBLOKKEN

THREE BOLT FLANGE UNITS

Gegoten lagerblokken / UCFB201 - UCFB213

UCFB(=UCFK)

- * 234... FK
- * 230... FK alternatief
- * 231... FK met kap
- * 235... FK met kap alternatief
- * 200... Neutraal



Type	Code*	Afmetingen (mm / in.)															Bout mm/in.	Lagertype	Huis	Gewicht (kg)
		d	w	b	k	a	l	s	g	h	j	e	i	z	B	n				
UCFB201 201-8	234201008 -	12 1/2	110 4-11/32	62 2-7/16	52 2-1/16	52 2-1/16	25,5 1	10 25/64	13 1/2	42 1-21/32	27 1-1/16	32 1-17/64	15 19/32	33,3 1-5/16	31,0 1.2205	12,7 0.500	M8 5/16	UC201 UC201-8	FB204	0,59 0,58
UCFB202 202-9 202-10	234202008 - -	15 9/16 5/8	110 4-11/32	62 2-7/16	52 2-1/16	52 2-1/16	25,5 1	10 25/64	13 1/2	42 1-21/32	27 1-1/16	32 1-17/64	15 19/32	33,3 1-5/16	31,0 1.2205	12,7 0.500	M8 5/16	UC202 UC202-9 UC202-10	FB204	0,58 0,58 0,58
UCFB203 203-11	234203008 -	17 11/16	110 4-11/32	62 2-7/16	52 2-1/16	52 2-1/16	25,5 1	10 25/64	13 1/2	42 1-21/32	27 1-1/16	32 1-17/64	15 19/32	33,3 1-5/16	31,0 1.2205	12,7 0.500	M8 5/16	UC203 UC203-11	FB204	0,57 0,56
UCFB204 204-12	234204008 -	20 3/4	110 4-11/32	62 2-7/16	52 2-1/16	52 2-1/16	25,5 1	10 25/64	13 1/2	42 1-21/32	27 1-1/16	32 1-17/64	15 19/32	33,3 1-5/16	31,0 1.2205	12,7 0.500	M8 5/16	UC204 UC204-12	FB204	0,55 0,55
UCFB205 205-13 205-14 205-15 205-16	234205008 - - - -	25 13/16 7/8 15/16 1	116 4-9/16	68 2-11/16	52 2-1/16	56 2-7/32	27 1-1/16	10 25/64	13 1/2	45 1-49/64	27 1-1/16	34 1-11/32	16 5/8	35,8 1-13/32	34,1 1.3425	14,3 0.563	M8 5/16	UC205 UC205-13 UC205-14 UC205-15 UC205-16	FB205	0,64 0,67 0,66 0,64 0,63
UCFB206 206-17 206-18 206-19 206-20	234206008 - - - -	30 1-1/16 1-1/8 1-3/16 1-1/4	130 5-1/8	78 3-1/16	55 2-5/32	65 2-9/16	31 1-7/32	10 25/64	13 1/2	50 1-31/32	29 1-9/64	40 1-37/64	18 45/64	40,2 1-19/32	38,1 1.5000	15,9 0.626	M8 5/16	UC206 UC206-17 UC206-18 UC206-19 UC206-20	FB206	0,88 0,89 0,90 0,88 0,87
UCFB207 207-20 207-21 207-22 207-23	234207008 - - - -	35 1-1/4 1-5/16 1-3/8 1-7/16	144 5-21/32	90 3-35/64	62 2-7/16	70 2-3/4	34 1-11/32	10 25/64	15 19/32	55 2-11/64	32 1-17/64	46 1-13/16	19 3/4	44,4 1-3/4	42,9 1.6890	17,5 0.689	M8 5/16	UC207 UC207-20 UC207-21 UC207-22 UC207-23	FB207	1,24 1,31 1,28 1,25 1,22
UCFB208 208-24 208-25	234208008 - -	40 1-1/2 1-9/16	164 6-15/32	100 3-15/16	72 2-27/32	78 3-1/16	36 1-13/32	12 15/32	16 5/8	60 2-23/64	41 1-39/64	50 1-31/32	21 53/64	51,2 1-1/64	49,2 1.9370	19,0 0.748	M10 3/8	UC208 UC208-24 UC208-25	FB208	1,66 1,70 1,67
UCFB209 209-26 209-27 209-28	234209008 - - -	45 1-5/8 1-11/16 1-3/4	174 6-27/32	106 4-3/16	76 3	80 3-5/32	38 1-1/2	12 15/32	18 23/32	65 2-9/16	43 1-11/16	54 2-1/8	22 55/64	52,2 2-1/16	49,2 1.9370	19,0 0.748	M10 3/8	UC209 UC209-26 UC209-27 UC209-28	FB209	1,92 2,02 1,98 1,94
UCFB210 210-29 210-30 210-31 210-32	234210008 - - - -	50 1-13/16 1-7/8 1-15/16 2	184 7-1/4	112 4-13/32	82 3-7/32	86 3-3/8	40 1-37/64	12 15/32	18 23/32	68 2-43/64	46 1-13/16	58 2-9/32	22 55/64	54,6 2-5/32	51,6 2.0315	19,0 0.748	M10 3/8	UC210 UC210-29 UC210-30 UC210-31 UC210-32	FB210	2,21 2,33 2,28 2,23 2,19
UCFB211 211-32 211-33 211-34 211-35	234211008 - - - -	55 2 2-1/16 2-1/8 2-3/16	207 8-5/32	130 5-1/8	86 3-25/64	90 3-35/64	43 1-11/16	14 35/64	18 45/64	78 3-5/64	50 1-31/32	62 2-7/16	25 63/64	58,4 2-5/16	55,6 2.1890	22,2 0.874	M12 7/16	UC211 UC211-32 UC211-33 UC211-34 UC211-35	FB211	3,10 3,25 3,19 3,15 3,08
UCFB212 212-36 212-37 212-38 212-39	234212348 - - - -	60 2-1/4 2-5/16 2-3/8 2-7/16	223 8-25/32	140 5-1/2	90 3-35/64	94 3-45/64	48 1-7/8	14 35/64	18 45/64	84 3-5/16	55 2-11/64	66 2-19/32	29 1-9/64	68,7 2-23/32	65,1 2.5630	25,4 1.000	M12 7/16	UC212 UC212-36 UC212-37 UC212-38 UC212-39	FB212	3,87 4,00 3,92 3,85 3,78
UCFB213 213-40 213-41	234213008 - -	65 2-1/2 2-9/16	244 9-39/64	155 6-7/64	94 3-45/64	100 3-15/16	50 1-31/32	14 35/64	20 25/32	92 3-5/8	60 2-23/64	70 2-3/4	30 1-3/16	69,7 2-3/4	65,1 2.5630	25,4 1.000	M12 7/16	UC213 UC213-40 UC213-41	FB213	4,97 5,06 4,97