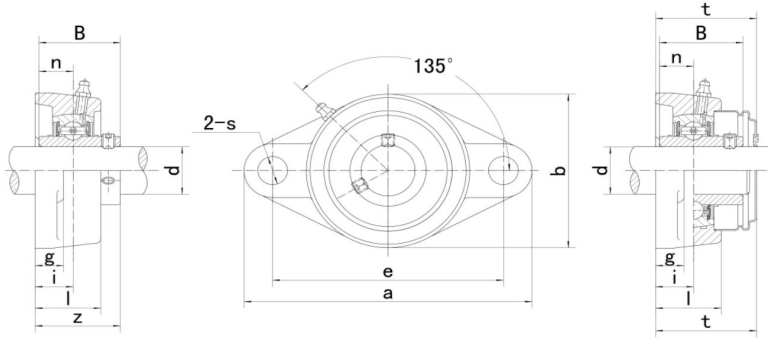


# TWEEPUNTS FLENSLAGERBLOKKEN TWO BOLT FLANGE UNITS

Gegoten lagerblokken / UCFL201 - UCFL218

## UCFL

- \* 234... FK
- \* 230... FK alternatief
- \* 231... FK met kap
- \* 235... FK met kap alternatief
- \* 200... Neutraal



Type	Code*	Afmetingen (mm / in.)												Bout mm/in.	Lagertype	Huis	Gewicht (kg)
		d	a	e	i	g	f	s	b	z	t	B	n				
<b>UCFL201</b> 201-8	234201004 -	12 1/2	113,0 4-7/16	90 3-35/64	15 19/32	11 7/16	26 1	12 15/32	60 2-3/8	33 1-5/16	37,5 1-31/64	31 1.2205	12,7 0.500	M10 3/8	UC201 UC201-8	FL204	0,45 0,44
<b>UCFL202</b> 202-9 202-10	234202004 - -	15 9/16 5/8	113,0 4-7/16	90 3-35/64	15 19/32	11 7/16	26 1	12 15/32	60 2-3/8	33 1-5/16	37,5 1-31/64	31 1.2205	12,7 0.500	M10 3/8	UC202 UC202-9 UC202-10	FL204	0,44 0,44 0,44
<b>UCFL203</b> 203-11	234203004 -	17 11/16	113,0 4-7/16	90 3-35/64	15 19/32	11 7/16	26 1	12 15/32	60 2-3/8	33 1-5/16	37,5 1-31/64	31 1.2205	12,7 0.500	M10 3/8	UC203 UC203-11	FL204	0,43 0,42
<b>UCFL204</b> 204-12	234204004 -	20 3/4	113,0 4-7/16	90 3-35/64	15 19/32	11 7/16	26 1	12 15/32	60 2-3/8	33 1-5/16	37,5 1-31/64	31 1.2205	12,7 0.500	M10 3/8	UC204 UC204-12	FL204	0,40 0,40
<b>UCFL205</b> 205-13 205-14 205-15 205-16	234205004 - - - -	25 13/16 7/8 15/16 1	130,0 5-1/8	99 3-57/64	16 5/8	13 1/2	27 1-1/16	16 5/8	68 2-11/16	36 1-13/32	40 1-9/16	34,1 1.3425	14,3 0.563	M14 1/2	UC205 UC205-13 UC205-14 UC205-15 UC205-16	FL205	0,58 0,62 0,61 0,59 0,58
<b>UCFL206</b> 206-17 206-18 206-19 206-20	234206004 - - - -	30 1-1/16 1-1/8 1-3/16 1-1/4	148,0 5-13/16	117 4-39/64	18 45/64	13 1/2	31 1-7/32	16 5/8	80 3-5/32	40 1-19/32	45 1-3/4	38,1 1.5000	15,9 0.626	M14 1/2	UC206 UC206-17 UC206-18 UC206-19 UC206-20	FL206	0,83 0,84 0,85 0,83 0,82
<b>UCFL207</b> 207-20 207-21 207-22 207-23	234207004 - - - -	35 1-1/4 1-5/16 1-3/8 1-7/16	161,0 6-11/32	130 5-1/8	19 3/4	14 35/64	34 1-11/32	16 5/8	90 3-35/64	44,4 1-3/4	48,5 1-29/32	42,9 1.6890	17,5 0.689	M14 1/2	UC207 UC207-20 UC207-21 UC207-22 UC207-23	FL207	1,10 1,16 1,13 1,10 1,07
<b>UCFL208</b> 208-24 208-25	234208004 - -	40 1-1/2 1-9/16	175,0 6-7/8	144 5-43/64	21 53/64	14 35/64	36 1-13/32	16 5/8	100 3-15/16	51,2 2-1/64	55,5 2-3/16	49,2 1.9370	19 0.748	M14 1/2	UC208 UC208-24 UC208-25	FL208	1,42 1,46 1,43
<b>UCFL209</b> 209-26 209-27 209-28	234209004 - - -	45 1-5/8 1-11/16 1-3/4	188,0 7-13/32	148 5-53/64	22 55/64	15 19/32	38 1-1/2	19 3/4	108 4-1/4	52,2 2-1/16	56,5 2-7/32	49,2 1.9370	19 0.748	M16 5/8	UC209 UC209-26 UC209-27 UC209-28	FL209	1,75 1,85 1,81 1,77
<b>UCFL210</b> 210-29 210-30 210-31 210-32	234210004 - - - -	50 1-13/16 1-7/8 1-15/16 2	197,0 7-3/4	157 6-3/16	22 55/64	15 19/32	40 1-37/64	19 3/4	115 4-17/32	54,6 2-5/32	59,5 2-11/32	51,6 2.0315	19,0 0.748	M16 5/8	UC210 UC210-29 UC210-30 UC210-31 UC210-32	FL210	2,02 2,14 2,09 2,04 2,00
<b>UCFL211</b> 211-32 211-33 211-34 211-35	234211004 - - - -	55 2 2-1/16 2-1/8 2-3/16	224,0 8-13/16	184 7-1/4	25 63/64	18 23/32	43 1-11/16	19 3/4	130 5-1/8	58,4 2-5/16	63 2-15/32	55,6 2.1890	22,2 0.874	M16 5/8	UC211 UC211-32 UC211-33 UC211-34 UC211-35	FL211	2,79 2,94 2,88 2,84 2,77
<b>UCFL212</b> 212-36 212-37 212-38 212-39	234212344 - - - -	60 2-1/4 2-5/16 2-3/8 2-7/16	250,0 9-27/32	202 7-61/64	29 1-9/64	18 23/32	48 1-7/8	23 29/32	140 5-1/2	68,7 2-23/32	73,5 2-57/64	65,1 2.5630	25,4 1.000	M20 3/4	UC212 UC212-36 UC212-37 UC212-38 UC212-39	FL212	3,65 3,78 3,70 3,63 3,56
<b>UCFL213</b> 213-40 213-41	234213004 - -	65 2-1/2 2-9/16	258,0 10-5/32	210 8-17/64	30 1-3/16	22 7/8	50 1-31/32	23 29/32	155 6-3/32	69,7 2-3/4	74,5 2-15/16	65,1 2.5630	25,4 1.000	M20 3/4	UC213 UC213-40 UC213-41	FL213	4,56 4,65 4,56
<b>UCFL214</b> 214-42 214-43 214-44	234214004 - - -	70 2-5/8 2-11/16 2-3/4	265,0 10-7/16	216 8-1/2	31 1-7/32	22 7/8	54 2-1/8	23 29/32	160 6-5/16	75,4 2-31/32	81,5 3-13/64	74,6 2.9370	30,2 1.189	M20 3/4	UC214 UC214-42 UC214-43 UC214-44	FL214	5,12 5,33 5,23 5,13
<b>UCFL215</b> 215-45 215-46 215-47 215-48	234215004 - - - -	75 2-13/16 2-7/8 2-15/16 3	275,0 10-13/16	225 8-55/64	34 1-11/32	22 7/8	56 2-7/32	23 29/32	165 6-1/2	78,5 3-3/32	83,5 3-9/32	77,8 3.0630	33,3 1.311	M20 3/4	UC215 UC215-45 UC215-46 UC215-47 UC215-48	FL215	5,64 5,61 5,86 5,75 5,55
<b>UCFL216</b> 216-49 216-50 216-51	234216004 - - -	80 3-1/16 3-1/8 3-3/16	290,0 11-13/32	233 9-11/64	34 1-11/32	22 7/8	58 2-9/32	25 63/64	180 7-3/32	83,3 3-9/32	88,5 3-31/64	82,6 3.2520	33,3 1.311	M22 7/8	UC216 UC216-49 UC216-50 UC216-51	FL216	6,91 7,09 6,96 6,83
<b>UCFL217</b> 217-52 217-53 217-55	234217004 - - -	85 3-1/4 3-5/16 3-7/16	305,0 12 9-49/64	248 1-27/64	36 15/16	24 2-15/32	63 63/64	25 7-15/32	190 7-15/32	87,5 3-7/16	92,6 3-41/64	85,7 3.3740	34,1 1.343	M22 7/8	UC217 UC217-52 UC217-53 UC217-55	FL217	8,27 8,39 8,35 8,06
<b>UCFL218</b> 218-56	234218004 -	90 3-1/2	320,0 12-19/32	265 10-7/16	40 1-37/64	24 15/16	68 2-11/16	25 63/64	205 8-1/16	96,3 3-25/32	101,5 4	96,0 3.7795	39,7 1.5630	M22 7/8	UC218 UC218-56	FL218	10,13 10,24