

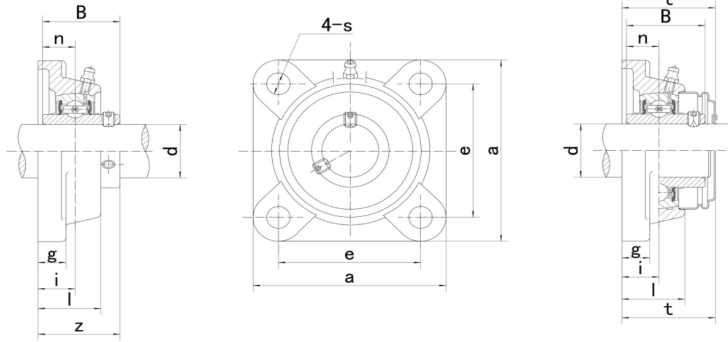
VIERPUNTS FLENSLAGERBLOKKEN VIERKANT

FOUR BOLT FLANGE UNITS SQUARE

Gegoten lagerblokken / UCF201 - UCF218

UCF

- * 234... FK
- * 230... FK alternatief
- * 231... FK met kap
- * 235... FK met kap alternatief
- * 200... Neutraal



Type	Code*	Afmetingen (mm / in.)											Bout mm/in.	Lagertype	Huis	Gewicht (kg)
		d	a	e	i	g	l	s	z	t	B	n				
UCF201	234201009	12	86	64	15	12	25,5	12	33,3	37,5	31	12,7	M10	UC201	F204	0,59
201-8	-	1/2	3-3/8	2-33/64	19/32	15/32	1	15/32	1-5/16	1-31/64	1.2205	0.500	3/8	UC201-8		0,58
UCF202	234202009	15	86	64	15	12	25,5	12	33,3	37,5	31	12,7	M10	UC202	F204	0,58
202-9	-	9/16	3-3/8	2-33/64	19/32	15/32	1	15/32	1-5/16	1-31/64	1.2205	0.500	3/8	UC202-9		0,58
202-10	-	5/8												UC202-10		0,58
UCF203	234203009	17	86	64	15	12	25,5	12	33,3	37,5	31	12,7	M10	UC203	F204	0,57
203-11	-	11/16	3-3/8	2-33/64	19/32	15/32	1	15/32	1-5/16	1-31/64	1.2205	0.500	3/8	UC203-11		0,56
UCF204	234204009	20	86	64	15	12	25,5	12	33,3	37,5	31	12,7	M10	UC204	F204	0,55
204-12	-	3/4	3-3/8	2-33/64	19/32	15/32	1	15/32	1-5/16	1-31/64	1.2205	0.500	3/8	UC204-12		0,55
UCF205	234205009	25	95	70	16	14	27	12	35,8	40	34,1	14,3	M10	UC205	F205	0,73
205-13	-	13/16												UC205-13		0,77
205-14	-	7/8	3-3/4	2-3/4	5/8	35/64	1-1/16	15/32	1-13/32	1-9/16	1.3425	0.563	3/8	UC205-14		0,76
205-15	-	15/16												UC205-15		0,74
205-16	-	1												UC205-16		0,73
UCF206	234206009	30	108	83	18	14	31	12	40,2	44,5	38,1	15,9	M10	UC206	F206	1,02
206-17	-	1-1/16												UC206-17		1,03
206-18	-	1-1/8	4-1/4	3-17/64	45/64	35/64	1-7/32	15/32	1-19/32	1-3/4	1.5000	0.626	3/8	UC206-18		1,04
206-19	-	1-3/16												UC206-19		1,02
206-20	-	1-1/4												UC206-20		1,01
UCF207	234207009	35	117	92	19	16	34	14	44,4	48,5	42,9	17,5	M12	UC207	F207	1,33
207-20	-	1-1/4												UC207-20		1,40
207-21	-	1-5/16	4-39/64	3-5/8	3/4	5/8	1-11/32	35/64	1-3/4	1-29/32	1.6890	0.689	7/16	UC207-21		1,37
207-22	-	1-3/8												UC207-22		1,34
207-23	-	1-7/16												UC207-23		1,31
UCF208	234208009	40	130	102	21	16	36	16	51,2	55,5	49,2	19	M14	UC208	F208	1,67
208-24	-	1-1/2	5-1/8	4-1/64	53/64	5/8	1-27/64	5/8	2-1/64	2-3/16	1.9370	0.748	1/2	UC208-24		1,71
208-25	-	1-9/16												UC208-25		1,68
UCF209	234209009	45	137	105	22	18	38	16	52,2	56,5	49,2	19	M14	UC209	F209	2,00
209-26	-	1-5/8												UC209-26		2,10
209-27	-	1-11/16	5-13/32	4-9/64	55/64	23/32	1-1/2	5/8	2-1/16	2-7/32	1.9370	0.748	1/2	UC209-27		2,06
209-28	-	1-3/4												UC209-28		2,02
UCF210	234210009	50	143	111	22	18	40	16	54,6	59,5	51,6	19	M14	UC210	F210	2,32
210-29	-	1-13/16												UC210-29		2,44
210-30	-	1-7/8	5-5/8	4-3/8	55/64	23/32	1-9/16	5/8	2-5/32	2-11/32	2.0315	0.748	1/2	UC210-30		2,39
210-31	-	1-15/16												UC210-31		2,34
210-32	-	2												UC210-32		2,30
UCF211	234211009	55	162	130	25	20	43	19	58,4	63	55,6	22,2	M16	UC211	F211	3,12
211-32	-	2												UC211-32		3,27
211-33	-	2-1/16	6-3/8	5-1/8	63/64	25/32	1-11/16	3/4	2-5/16	2-31/64	2.1890	0.874	5/8	UC211-33		3,21
211-34	-	2-1/8												UC211-34		3,17
211-35	-	2-3/16												UC211-35		3,10
UCF212	234212349	60	175	143	29	20	48	19	68,7	73,5	65,1	25,4	M16	UC212	F212	3,95
212-36	-	2-1/4												UC212-36		4,08
212-37	-	2-5/16	6-57/64	5-5/8	1-9/64	25/32	1-57/64	3/4	2-45/64	2-57/64	2.5630	1.000	5/8	UC212-37		4,00
212-38	-	2-3/8												UC212-38		3,93
212-39	-	2-7/16												UC212-39		3,86
UCF213	234213009	65	187	149	30	22	50	19	69,7	74,5	65,1	25,4	M16	UC213	F213	4,81
213-40	-	2-1/2	7-23/64	5-55/64	1-3/16	55/64	1-31/32	3/4	2-3/4	2-15/16	2.5630	1.000	5/8	UC213-40		4,90
213-41	-	2-9/16												UC213-41		4,81
UCF214	234214009	70	193	152	31	22	54	19	75,4	81,5	74,6	30,2	M16	UC214	F214	5,42
214-42	-	2-5/8												UC214-42		5,63
214-43	-	2-11/16	7-19/32	5-63/64	1-7/32	55/64	2-1/8	3/4	2-31/32	3-13/64	2.9370	1.189	5/8	UC214-43		5,53
214-44	-	2-3/4												UC214-44		5,43
UCF215	234215009	75	200	159	34	22	56	19	78,5	83,5	77,8	33,3	M16	UC215	F215	5,94
215-45	-	2-13/16												UC215-45		5,94
215-46	-	2-7/8	7-7/8	6-17/64	1-11/32	55/64	2-7/32	3/4	3-3/32	3-9/32	3.0630	1.311	5/8	UC215-46		6,19
215-47	-	2-15/16												UC215-47		6,08
215-48	-	3												UC215-48		5,88
UCF216	234216009	80	208	165	34	22	58	23	83,3	88,5	82,6	33,3	M20	UC216	F216	6,94
216-49	-	3-1/16												UC216-49		7,12
216-50	-	3-1/8	8-3/16	6-1/2	1-11/32	55/64	2-9/32	29/32	3-9/32	3-31/64	3.2520	1.311	3/4	UC216-50		6,99
216-51	-	3-3/16												UC216-51		6,86
UCF217	234217009	85	220	175	36	24	63	23	87,6	92,6	85,7	34,1	M20	UC217	F217	8,67
217-52	-	3-1/4												UC217-52		8,79
217-53	-	3-5/16	8-21/23	6-57/64	1-27/64	15/16	2-15/32	29/32	3-7/16	3-41/64	3.3740	1.343	3/4	UC217-53		8,75
217-55	-	3-7/16												UC217-55		8,46
UCF218	234218009	90	235	187	40	24	68	23	96,3	101,5	96	39,7	M20	UC218	F218	10,62
218-56	-	3-1/2	9-1/4	7-23/64	1-37/64	15/16	2-11/16	29/32	3-25/32	4	3.7795	1.5630	3/4	UC218-56		10,73