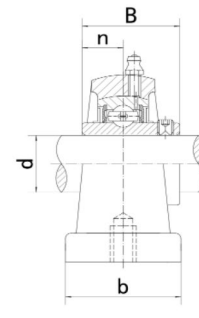
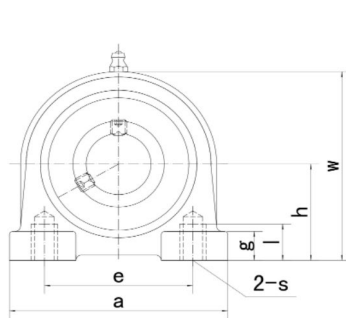


# STAANDE LAGERBLOKKEN PILLOW BLOCK UNITS

Gegoten lagerblokken / UCPA201 - UCPA213

## UCPA

- \* 234... FK
- \* 230... FK alternatief
- \* 231... FK met kap
- \* 235... FK met kap alternatief
- \* 200... Neutraal



Type	Code*	Afmetingen ( mm / in. )											Bout (mm)	Lagertype	Huis	Gewicht (kg)
		d	h	a	e	b	s	g	l	w	B	n				
UCPA201	234201001	12	30,2	76	52	40	M10	11	15	62	31	12,7	M10	UC201	PA204	0,63
201-8	-	1/2	1-3/16	3	2-3/64	1-9/16	M10	7/16	19/32	2-7/16	1.2205	0.500	M10	UC201-8	PA204	0,62
UCPA202	234202001	15	30,2	76	52	40	M10	11	15	62	31	12,7	M10	UC202	PA204	0,62
202-9	-	9/16	1-3/16	3	2-3/64	1-9/16	M10	7/16	19/32	2-7/16	1.2205	0.500	M10	UC202-9	PA204	0,62
202-10	-	5/8	1-3/16	3	2-3/64	1-9/16	M10	7/16	19/32	2-7/16	1.2205	0.500	M10	UC202-10	PA204	0,62
UCPA203	234203001	17	30,2	76	52	40	M10	11	15	62	31	12,7	M10	UC203	PA204	0,61
203-11	-	11/16	1-3/16	3	2-3/64	1-9/16	M10	7/16	19/32	2-7/16	1.2205	0.500	M10	UC203-11	PA204	0,60
UCPA204	234204001	20	30,2	76	52	40	M10	11	15	62	31	12,7	M10	UC204	PA204	0,59
204-12	-	3/4	1-3/16	3	2-3/64	1-9/16	M10	7/16	19/32	2-7/16	1.2205	0.500	M10	UC204-12	PA204	0,59
UCPA205	234205001	25	36,5	84	56	38	M10	12	15	72	34,1	14,3	M10	UC205	PA205	0,76
205-13	-	13/16	1-7/16	3-5/16	2-13/64	1-1/2	M10	15/32	19/32	2-53/64	1.3425	0.563	M10	UC205-13	PA205	0,79
205-14	-	7/8	1-7/16	3-5/16	2-13/64	1-1/2	M10	15/32	19/32	2-53/64	1.3425	0.563	M10	UC205-14	PA205	0,78
205-15	-	15/16	1-7/16	3-5/16	2-13/64	1-1/2	M10	15/32	19/32	2-53/64	1.3425	0.563	M10	UC205-15	PA205	0,76
205-16	-	1	1-7/16	3-5/16	2-13/64	1-1/2	M10	15/32	19/32	2-53/64	1.3425	0.563	M10	UC205-16	PA205	0,75
UCPA206	234206001	30	42,9	94	66	50	M14	12	18	84	38,1	15,9	M14	UC206	PA206	1,12
206-17	-	1-1/16	1-11/16	3-45/64	2-19/32	1-31/32	M14	15/32	45/64	3-5/16	1.5000	0.626	M14	UC206-17	PA206	1,13
206-18	-	1-1/8	1-11/16	3-45/64	2-19/32	1-31/32	M14	15/32	45/64	3-5/16	1.5000	0.626	M14	UC206-18	PA206	1,14
206-19	-	1-3/16	1-11/16	3-45/64	2-19/32	1-31/32	M14	15/32	45/64	3-5/16	1.5000	0.626	M14	UC206-19	PA206	1,12
206-20	-	1-1/4	1-11/16	3-45/64	2-19/32	1-31/32	M14	15/32	45/64	3-5/16	1.5000	0.626	M14	UC206-20	PA206	1,11
UCPA207	234207001	35	47,6	110	80	55	M14	13	20	95	42,9	17,5	M14	UC207	PA207	1,55
207-20	-	1-1/4	1-7/8	4-21/64	3-5/32	2-11/64	M14	33/64	25/32	3-47/64	1.6890	0.689	M14	UC207-20	PA207	1,61
207-21	-	1-5/16	1-7/8	4-21/64	3-5/32	2-11/64	M14	33/64	25/32	3-47/64	1.6890	0.689	M14	UC207-21	PA207	1,58
207-22	-	1-3/8	1-7/8	4-21/64	3-5/32	2-11/64	M14	33/64	25/32	3-47/64	1.6890	0.689	M14	UC207-22	PA207	1,55
207-23	-	1-7/16	1-7/8	4-21/64	3-5/32	2-11/64	M14	33/64	25/32	3-47/64	1.6890	0.689	M14	UC207-23	PA207	1,52
UCPA208	234208001	40	49,2	116	84	58	M14	13	20	100	49,2	19	M14	UC208	PA208	1,80
208-24	-	1-1/2	1-15/16	4-9/16	3-5/16	2-9/32	M14	33/64	25/32	3-15/16	1.9370	0.748	M14	UC208-24	PA208	1,84
208-25	-	1-9/16	1-15/16	4-9/16	3-5/16	2-9/32	M14	33/64	25/32	3-15/16	1.9370	0.748	M14	UC208-25	PA208	1,81
UCPA209	234209001	45	54,2	120	90	60	M14	13	25	108	49,2	19	M14	UC209	PA209	2,05
209-26	-	1-5/8	2-9/64	4-23/32	3-35/64	2-23/64	M14	33/64	63/64	4-1/4	1.9370	0.748	M14	UC209-26	PA209	2,15
209-27	-	1-11/16	2-9/64	4-23/32	3-35/64	2-23/64	M14	33/64	63/64	4-1/4	1.9370	0.748	M14	UC209-27	PA209	2,11
209-28	-	1-3/4	2-9/64	4-23/32	3-35/64	2-23/64	M14	33/64	63/64	4-1/4	1.9370	0.748	M14	UC209-28	PA209	2,07
UCPA210	234210001	50	57,2	130	94	64	M16	14	25	116	51,6	19	M16	UC210	PA210	2,56
210-29	-	1-13/16	2-1/4	5-1/8	3-45/64	2-33/64	M16	35/64	63/64	4-9/16	2.0315	0.748	M16	UC210-29	PA210	2,68
210-30	-	1-7/8	2-1/4	5-1/8	3-45/64	2-33/64	M16	35/64	63/64	4-9/16	2.0315	0.748	M16	UC210-30	PA210	2,63
210-31	-	1-15/16	2-1/4	5-1/8	3-45/64	2-33/64	M16	35/64	63/64	4-9/16	2.0315	0.748	M16	UC210-31	PA210	2,58
210-32	-	2	2-1/4	5-1/8	3-45/64	2-33/64	M16	35/64	63/64	4-9/16	2.0315	0.748	M16	UC210-32	PA210	2,54
UCPA211	234211001	55	63,5	140	104	66	M16	14	25	125	55,6	22,2	M16	UC211	PA211	3,14
211-32	-	2	2-1/2	5-33/64	4-3/32	2-19/32	M16	35/64	63/64	4-59/64	2.1890	0.874	M16	UC211-32	PA211	3,29
211-33	-	2-1/16	2-1/2	5-33/64	4-3/32	2-19/32	M16	35/64	63/64	4-59/64	2.1890	0.874	M16	UC211-33	PA211	3,23
211-34	-	2-1/8	2-1/2	5-33/64	4-3/32	2-19/32	M16	35/64	63/64	4-59/64	2.1890	0.874	M16	UC211-34	PA211	3,19
211-35	-	2-3/16	2-1/2	5-33/64	4-3/32	2-19/32	M16	35/64	63/64	4-59/64	2.1890	0.874	M16	UC211-35	PA211	3,12
UCPA212	234212341	60	69,9	150	114	68	M16	15	25	138	65,1	25,4	M16	UC212	PA212	4,12
212-36	-	2-1/4	2-3/4	5-29/32	4-31/64	2-43/64	M16	19/32	63/64	5-7/16	2.5630	1.000	M16	UC212-36	PA212	4,25
212-37	-	2-5/16	2-3/4	5-29/32	4-31/64	2-43/64	M16	19/32	63/64	5-7/16	2.5630	1.000	M16	UC212-37	PA212	4,17
212-38	-	2-3/8	2-3/4	5-29/32	4-31/64	2-43/64	M16	19/32	63/64	5-7/16	2.5630	1.000	M16	UC212-38	PA212	4,10
212-39	-	2-7/16	2-3/4	5-29/32	4-31/64	2-43/64	M16	19/32	63/64	5-7/16	2.5630	1.000	M16	UC212-39	PA212	4,03
UCPA213	234213001	65	76,2	160	124	70	M16	15	25	150	65,1	25,4	M16	UC213	PA213	4,92
213-40	-	2-1/2	3	6-19/64	4-7/8	2-3/4	M16	19/32	63/64	5-29/32	2.5630	1.000	M16	UC213-40	PA213	5,01
213-41	-	2-9/16	3	6-19/64	4-7/8	2-3/4	M16	19/32	63/64	5-29/32	2.5630	1.000	M16	UC213-41	PA213	4,92