

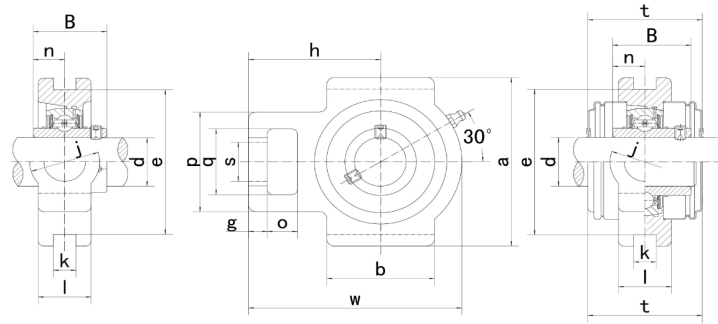
SPANLAGERBLOKKEN

TAKE UP UNITS

Gegoten lagerblokken / UCT201 - UCT218

UCT

- * 234... FK
- * 230... FK alternatief
- * 231... FK met kap
- * 235... FK met kap alternatief
- * 200... Neutraal



Type	Code*	Afmetingen (mm / in.)																Lagertype	Huis	Gewicht (kg)	
		d	o	g	p	q	s	b	k	e	a	w	j	l	h	t	B				n
UCT201 201-8	234201011 -	12 1/2	16 5/8	10 25/64	51 2-1/64	32 1-1/4	19 3/4	51 2-1/64	12 15/32	76 2-63/64	89 3-1/2	94 3-11/16	32 1-1/4	21 53/64	61 2-13/32	44,5 1-3/4	31 1.2205	12,7 0.500	UC201 UC201-8	T204	0,77 0,76
UCT202 202-9 202-10	234202011 - -	15 9/16 5/8	16 5/8	10 25/64	51 2-1/64	32 1-1/4	19 3/4	51 2-1/64	12 15/32	76 2-63/64	89 3-1/2	94 3-11/16	32 1-1/4	21 53/64	61 2-13/32	44,5 1-3/4	31 1.2205	12,7 0.500	UC202 UC202-9 UC202-10	T204	0,76 0,76 0,76
UCT203 203-11	234203011 -	17 11/16	16 5/8	10 25/64	51 2-1/64	32 1-1/4	19 3/4	51 2-1/64	12 15/32	76 2-63/64	89 3-1/2	94 3-11/16	32 1-1/4	21 53/64	61 2-13/32	44,5 1-3/4	31 1.2205	12,7 0.500	UC203 UC203-11	T204	0,75 0,74
UCT204 204-12	234204011 -	20 3/4	16 5/8	10 25/64	51 2-1/64	32 1-1/4	19 3/4	51 2-1/64	12 15/32	76 2-63/64	89 3-1/2	94 3-11/16	32 1-1/4	21 53/64	61 2-13/32	44,5 1-3/4	31 1.2205	12,7 0.500	UC204 UC204-12	T204	0,73 0,73
UCT205 205-13 205-14 205-15 205-16	234205011 - - - -	25 13/16 7/8 15/16 1	16 5/8	10 25/64	51 2-1/64	32 1-1/4	19 3/4	51 2-1/64	12 15/32	76 2-63/64	89 3-1/2	97 3-13/16	32 1-1/4	24 15/16	62 2-7/16	48 1-7/8	34,1 1.3425	14,3 0.563	UC205 UC205-13 UC205-14 UC205-15 UC205-16	T205	0,80 0,84 0,83 0,81 0,80
UCT206 206-17 206-18 206-19 206-20	234206011 - - - -	30 1-1/16 1-1/8 1-3/16 1-1/4	16 5/8	10 25/64	56 2-7/32	37 1-29/64	22 55/64	57 2-1/4	12 15/32	89 3-1/2	102 4-1/64	113 4-29/64	37 1-29/64	28 1-3/32	70 2-3/4	53 2-3/32	38,1 1.5000	15,9 0.626	UC206 UC206-17 UC206-18 UC206-19 UC206-20	T206	1,22 1,23 1,24 1,22 1,21
UCT207 207-20 207-21 207-22 207-23	234207011 - - - -	35 1-1/4 1-5/16 1-3/8 1-7/16	16 5/8	13 33/64	64 2-33/64	37 1-29/64	22 55/64	64 2-33/64	12 15/32	89 3-1/2	102 4-1/64	129 5-5/64	37 1-29/64	30 1-3/16	78 3-5/64	59,5 2-11/32	42,9 1.6890	17,5 0.689	UC207 UC207-20 UC207-21 UC207-22 UC207-23	T207	1,57 1,63 1,60 1,57 1,54
UCT208 208-24 208-25	234208011 - -	40 1-1/2 1-9/16	19 3/4	16 5/8	83 3-17/64	49 1-15/16	29 1-9/64	83 3-17/64	16 5/8	102 4-1/64	114 4-31/64	144 5-43/64	49 1-15/16	33 1-19/64	89 3-1/2	69 2-23/32	49,2 1.9370	19 0.748	UC208 UC208-24 UC208-25	T208	2,31 2,35 2,32
UCT209 209-26 209-27 209-28	234209011 - - -	45 1-5/8 1-11/16 1-3/4	19 3/4	16 5/8	83 3-17/64	49 1-15/16	29 1-9/64	83 3-17/64	16 5/8	102 4-1/64	117 4-39/64	144 5-43/64	49 1-15/16	35 1-3/8	87 3-27/64	69 2-23/32	49,2 1.9370	19 0.748	UC209 UC209-26 UC209-27 UC209-28	T209	2,34 2,44 2,40 2,36
UCT210 210-29 210-30 210-31 210-32	234210011 - - - -	50 1-13/16 1-7/8 1-15/16 2	19 3/4	16 5/8	83 3-17/64	49 1-15/16	29 1-9/64	86 3-17/64	16 5/8	102 4-1/64	117 4-39/64	149 5-55/64	49 1-15/16	37 1-29/64	90 3-35/64	74,5 2-15/16	51,6 2.0315	19 0.748	UC210 UC210-29 UC210-30 UC210-31 UC210-32	T210	2,47 2,59 2,54 2,49 2,45
UCT211 211-32 211-33 211-34 211-35	234211011 - - - -	55 2 2-1/16 2-1/8 2-3/16	25 63/64	19 3/4	102 4-1/64	64 2-1/32	35 1-3/8	95 3-3/4	22 55/64	130 5-1/8	146 5-3/4	171 6-47/64	64 2-33/64	38 1-1/2	106 4-11/64	76 3	55,6 2.1890	22,2 0.874	UC211 UC211-32 UC211-33 UC211-34 UC211-35	T211	3,74 3,89 3,83 3,79 3,72
UCT212 212-36 212-37 212-38 212-39	234212011 - - - -	60 2-1/4 2-5/16 2-3/8 2-7/16	32 1-17/64	19 3/4	102 4-1/64	64 2-1/32	35 1-3/8	102 4-1/64	22 55/64	130 5-1/8	146 5-3/4	194 7-41/64	64 2-33/64	42 1-21/32	119 4-11/16	89 3-1/2	65,1 2.5630	25,4 1.000	UC212 UC212-36 UC212-37 UC212-38 UC212-39	T212	4,58 4,71 4,63 4,56 4,49
UCT213 213-40 213-41	234213011 - -	65 2-1/2 2-9/16	32 1-17/64	21 53/64	111 4-3/8	70 2-3/4	41 1-39/64	121 4-49/64	26 1-1/32	151 5-15/16	167 6-37/64	224 8-13/16	70 2-3/4	44 1-23/32	137 5-25/64	89 3-1/2	65,1 2.5630	25,4 1.000	UC213 UC213-40 UC213-41	T213	6,60 6,69 6,60
UCT214 214-42 214-43 214-44	234214011 - - -	70 2-5/8 2-11/16 2-3/4	32 1-17/64	21 53/64	111 4-3/8	70 2-3/4	41 1-39/64	121 4-49/64	26 1-1/32	151 5-15/16	167 6-37/64	224 8-13/16	70 2-3/4	46 1-13/16	137 5-25/64	98 3-55/64	74,6 2.9370	30,2 1.189	UC214 UC214-42 UC214-43 UC214-44	T214	6,74 6,95 6,85 6,75
UCT215 215-45 215-46 215-47 215-48	234215011 - - - -	75 2-13/16 2-7/8 2-15/16 3	32 1-17/64	21 53/64	111 4-3/8	70 2-3/4	41 1-39/64	121 4-49/64	26 1-1/32	151 5-15/16	167 6-37/64	232 9-9/64	70 2-3/4	48 1-57/64	140 5-33/64	99 3-57/64	77,8 3.0630	33,3 1.311	UC215 UC215-45 UC215-46 UC215-47 UC215-48	T215	7,19 7,19 7,44 7,33 7,13
UCT216 216-49 216-50 216-51	234216011 - - -	80 3-1/16 3-1/8 3-3/16	32 1-17/64	21 53/64	111 4-3/8	70 2-3/4	41 1-39/64	121 4-49/64	26 1-1/32	165 6-1/2	184 7-1/4	235 9-1/4	70 2-3/4	51 2	140 5-33/64	109 4-19/64	82,6 3.2520	33,3 1,311	UC216 UC216-49 UC216-50 UC216-51	T216	8,08 8,26 8,13 8,00
UCT217 217-52 217-53 217-55	234217011 - - -	85 3-1/4 3-5/16 3-7/16	38 1-1/2	29 1-9/64	124 4-7/8	73 2-7/8	48 1-57/64	157 6-3/16	30 1-3/16	173 6-13/16	198 7-51/64	260 10-15/64	73 2-7/8	54 2-1/8	162 6-3/8	113,2 4-29/64	85,7 3.3740	34,1 1,343	UC217 UC217-52 UC217-53 UC217-55	T217	10,66 10,78 10,74 10,45
UCT218 218-56	234218011 -	90 3-1/2	40 1-37/64	30 1-3/16	130 5-1/8	80 3-5/32	48 1-57/64	140 5-35/64	30 1-3/16	190 7-31/64	215 8-15/32	275 10-53/64	80 3-5/32	55 2-11/64	170 6-11/16	123 4-27/32	96 3,7795	39,7 1,563	UC218 UC218-56	T218	12,19 12,30