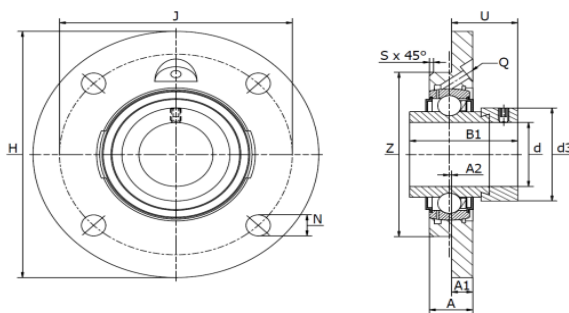


VIERPUNTS FLENSLAGERBLOKKEN ROND PTI FOUR BOLT FLANGE UNITS ROUND PTI

Gegoten lagerblokken / RVFW 20 A - RVFW60 A

RVFW A RME

Excentrische klemring



Materiaal: gietijzeren behuizing, radiale insert kogellager

Type	Code	Afmetingen (mm)													Lagertype	Kap	Gewicht (kg)
		d	H	B ₁	A	A ₁	A ₂	d _{3 max}	J	N	Q	S	U	Z			
RVFW 20 A	310056204	20	100	43,7	17,0	8,0	2,0	33,0	78	9,0	M6	2	24,6	62	HC 204	-	0,57
RVFW 25 A	310056205	25	115	44,4	19,0	9,0	2,5	37,5	90	9,0	M6	2	24,4	70	HC 205	KASK05	0,80
RVFW 30 A	310056206	30	125	48,4	20,5	9,5	2,0	44,0	100	11,5	M6	2	28,1	80	HC 206	KASK06	1,04
RVFW 35 A	310056207	35	135	51,1	20,5	10,0	1,0	51,0	110	11,5	M6	2	31,3	90	HC 207	KASK07	1,34
RVFW 40 A	310056208	40	145	56,3	23,0	11,5	1,0	60,3	120	11,5	M6	2	33,9	100	HC 208	KASK08	1,74
RVFW 45 A	310056209	45	155	56,3	25,0	12,0	2,0	63,0	130	14,0	M6	2	32,9	105	HC 209	Kap Ø45	2,05
RVFW 50 A	310056210	50	165	62,7	25,0	13,0	1,0	69,0	135	14,0	M6	3	37,1	110	HC 210	KASK10	2,53
RVFW 55 A	310056211	55	185	71,4	27,5	15,0	0,0	76,0	150	18,0	M6	3	43,6	125	HC 211	-	3,37
RVFW 60 A	310056212	60	195	77,8	29,0	16,0	1,0	84,0	160	18,0	Rp1/8"	3	45,8	135	HC 212	KASK12	3,99
RVFW 65 A	310056213	65	215	66,1	32,0	18,0	6,0	96,0	177	18,0	Rp1/8"	6	44,6	150	HC 213-214	-	5,81
RVFW 70 A	310056214	70	215	66,0	32,0	18,0	0,0	96,0	177	18,0	Rp1/8"	6	44,6	150	HC 214	-	5,55
RVFW 75 A	310056215	75	220	67,1	32,0	18,0	0,0	100,0	184	18,0	Rp1/8"	6	45,6	160	HC 215	-	5,65
RVFW 80 A	310056216	80	220	71,0	33,0	18,0	-2,0	108,0	184	18,0	Rp1/8"	6	49,6	160	HC 216	-	5,75
RVFW 90 A	310056218	90	265	69,5	32,0	20,0	-4,0	118,0	220	23,0	Rp1/8"	3	50,5	190	HC 218	-	8,82
RVFW 100 A	310056220	100	295	75,0	36,0	22,0	-4,0	132,0	245	23,0	Rp1/8"	3	53,4	210	HC 220	-	11,45
RVFW 120 A	310056224	120	350	81,0	40,0	24,0	-4,0	152,0	295	27,0	Rp1/8"	3	56,5	250	HC 224	-	17,43