

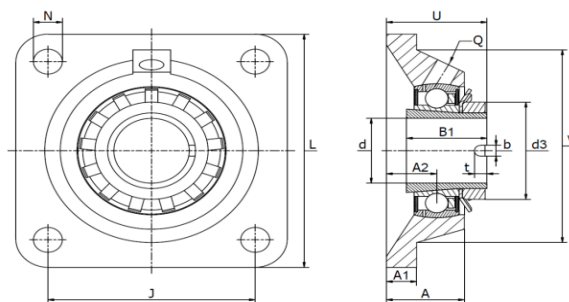
VIERPUNTS FLENSLAGERBLOKKEN PTI FOUR BOLT FLANGE UNITS PTI

Gegoten lagerblokken / FWS 25 K - FWS 90 K



FWS K

Trekbus (niet inbegrepen)



Materiaal: gietijzeren behuizing, radiale insert kogellager

Type	Code	Afmetingen (mm)										Lagertype + trekbus (excl.)	(kg)			
		d	L	U	A	A ₁	A ₂	B ₁	J	N	Q		V	Huis	Gewicht	Kap
FWS 25 K	310051205	20	95	38,0	29,0	11,0	19,0	35	70,0	11,5	1/8"	74	UK 205 + H2305	CJ05	0,8	KASK05
FWS 30 K	310051206	25	108	40,0	29,0	12,0	20,0	38	82,5	11,5	1/8"	85	UK 206 + H2306	CJ06	1,1	KASK06
FWS 35 K	310051207	30	118	45,0	30,5	12,5	21,0	43	92,0	14,0	1/8"	100	UK 207 + H2307	CJ07	1,6	KASK07
FWS 40 K	310051208	35	130	49,0	34,5	13,0	24,0	46	101,5	14,0	1/8"	110	UK 208 + H2308	CJ08	1,8	KASK08
FWS 45 K	310051209	40	137	52,0	35,0	13,0	24,0	50	105,0	14,0	1/8"	116	UK 209 + H2309	CJ09	2,3	Kap Ø40/45
FWS 50 K	310051210	45	143	61,0	39,0	13,0	28,0	55	111,0	18,0	1/8"	125	UK 210 + H2310	CJ10	2,6	KASK10
FWS 55 K	310051211	50	162	65,0	43,6	15,0	31,0	59	130,0	18,0	1/8"	140	UK 211 + H2311	CJ11	3,5	-
FWS 60 K	310051212	55	175	67,0	46,0	16,0	34,0	62	143,0	18,0	1/8"	150	UK 212 + H2312	CJ12	4,0	KASK12
FWS 65 K	310051213	60	188	73,0	52,0	18,0	38,0	65	150,0	18,0	1/8"	165	UK 213 + H2313	CJ14	5,6	-
FWS 70 K	310051214	65	188	77,0	52,0	18,0	38,0	73	150,0	18,0	1/8"	165	UK 214 + H2314	CJ14	6,8	-
FWS 75 K	310051215	70	197	85,3	55,8	20,0	41,3	78	153,0	23,0	1/8"	170	UK 215 + H2315	CJ15	8,3	-
FWS 80 K	310051216	75	197	87,3	55,8	20,0	41,3	82	153,0	23,0	1/8"	180	UK 216 + H2316	CJ16	10,0	-
FWS 90 K	310051218	80	235	69,8	39,8	22,0	23,8	86	187,0	23,0	1/8"	200	UK 218 + H2318	CJ18	12,0	-