

VIERPUNTS FLENSLAGERBLOKKEN PTI

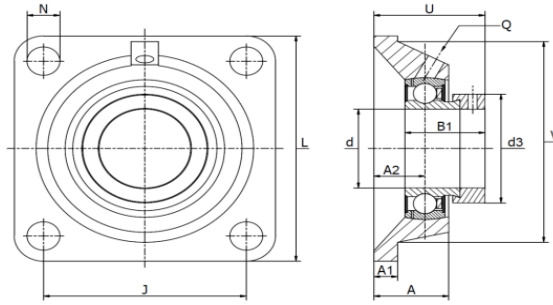
FOUR BOLT FLANGE UNITS PTI

Gegoten lagerblokken / FWS 20 ZP PCJ20 - FWS 60 ZP PCJ60



FWS ZP PCJ..FA125

Excentrische klemring
Incl. zink behandeling



Materiaal: gietijzeren behuizing, radiale insert kogellager, zink behandeling

Type	Code	Afmetingen (mm)											Lagertype	Huis	(kg)		
		d	L	U	A	A ₁	A ₂	B ₁	d _{3 max}	J	N	Q			V	Gewicht	Kap
FWS 20 ZP - PCJ20	310041204	20	86	42,5	29,0	10,0	19	31,0	33,0	63,5	11,5	1/8"	68	SA 204 ZP	CJ04.FA125	0,60	-
FWS 25 ZP - PCJ25	310041205	25	95	42,5	29,0	11,0	19	31,0	37,5	70,0	11,5	1/8"	74	SA 205 ZP	CJ05.FA125	0,76	KASK05
FWS 30 ZP - PCJ30	310041206	30	108	46,8	29,0	12,0	20	35,8	44,0	82,5	11,5	1/8"	85	SA 206 ZP	CJ06.FA125	1,11	KASK06
FWS 35 ZP - PCJ35	310041207	35	118	50,5	30,5	12,5	21	39,0	51,0	92,0	14,0	1/8"	100	SA 207 ZP	CJ07.FA125	1,46	KASK07
FWS 40 ZP - PCJ40	310041208	40	130	56,8	34,5	13,0	24	43,8	58,0	101,5	14,0	1/8"	110	SA 208 ZP	CJ08.FA125	1,89	KASK08
FWS 45 ZP - PCJ45	310041209	45	137	56,7	35,0	13,0	24	43,8	63,0	105,0	14,0	1/8"	116	SA 209 ZP	CJ09.FA125	2,22	Kap Ø40/45
FWS 50 ZP - PCJ50	310041210	50	143	60,8	39,0	13,0	28	43,8	69,0	111,0	18,0	1/8"	125	SA 210 ZP	CJ10.FA125	2,30	KASK10
FWS 55 ZP - PCJ55	310041211	55	162	67,4	43,5	15,0	31	48,4	76,0	130,0	18,0	1/8"	140	SA 211 ZP	CJ11.FA125	2,91	-
FWS 60 ZP - PCJ60	310041212	60	175	73,6	46,0	16,0	34	53,1	84,0	143,0	18,0	1/8"	150	SA 212 ZP	CJ12.FA125	4,10	KASK12