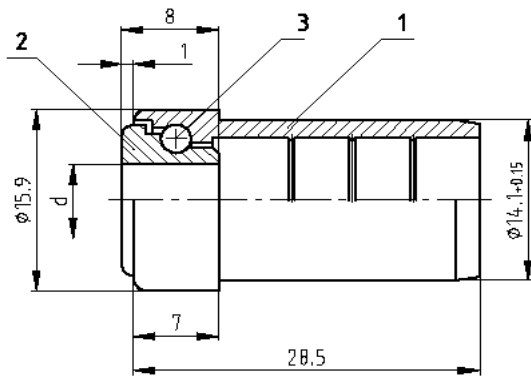
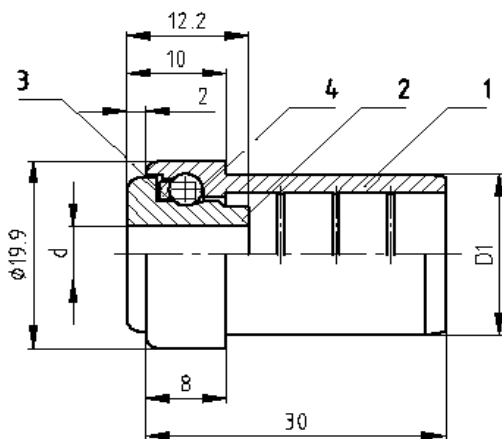


Kunststof lagerpotten

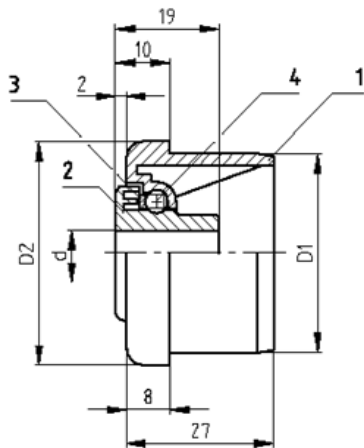


Type	Normaal: .00 RVS: .01	Boring $d+0.2$	Draaggetallen C (N)	Eenheid Stuks
KTR-16x1,0	.00	5.1	30	2500
KTR-16x1,0	.01	6.1	30	2500



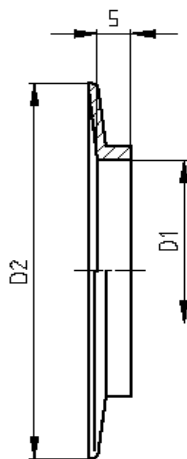
Type	Normaal: .00 RVS: .01	Boring $d+0.2$	$D1 +0.15$	Draaggetallen C (N)	Eenheid Stuks
KTR-20x1,0	.00	6.1 8.1	18.1	50	1000
KTR-20x1,5	.00		17.1	50	1000
KTR-20x1,0	.01	6.1 8.1	18.1	50	1000
KTR-20x1,5	.01		17.1	50	1000

Kunststof lagerpotten



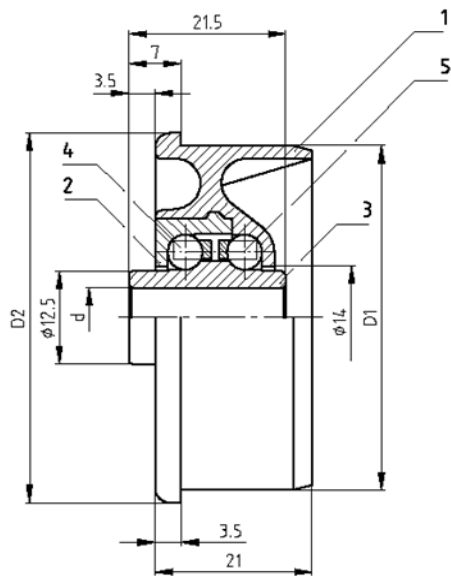
Type	Normaal: .00 RVS: .01	Boring d+0.2	D1 +0.25	D2 -0.2	Draaggetallen C (N)	Eenheid Stuks
KTR-30x1,0	.00	6.1 8.1 10.1	28.1	29.9	70	700
KTR-30x1,8	.00		26.5	29.9	70	700
KTR-40x1,5	.00		37.1	39.9	70	400
KTR-40x2,3	.00		35.5	39.9	70	400
KTR-30x1,0	.01		28.1	29.9	70	700
KTR-30x1,8	.01		26.5	29.9	70	700
KTR-40x1,5	.01		37.1	39.9	70	400
KTR-40x2,3	.01		35.5	39.9	70	400

Kunststof flenzen

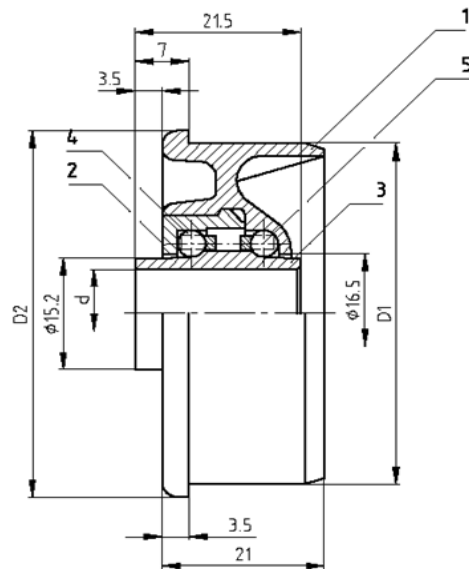


Type	D1 +0.15	D2
BS-30x1,0	28.1	60
BS-30x1,8	26.5	60
BS-40x1,5	37.1	60
BS-40x2,3	35.5	60

Kunststof lagerpotten

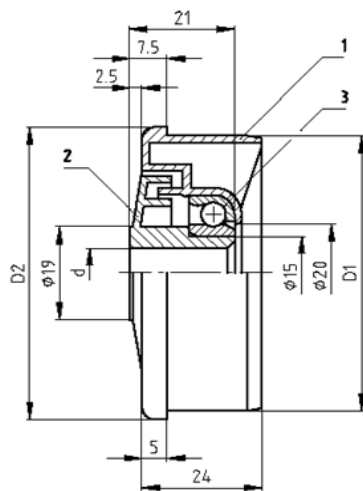


Type	Normaal: .02 RVS: .03	Boring d+0.15	D1 +0.2	D2 -0.2	Draaggetallen C (N)	Eenheid Stuks
KTR-50x1,5	.02	6.1 8.1 10.1	47.3	49.9	100	350
KTR-50x2,0	.02		46.3	49.9	100	350
KTR-50x2,8	.02		44.6	49.9	100	350
KTR-50x1,5	.03		47.3	49.9	100	350
KTR-50x2,0	.03		46.3	49.9	100	350
KTR-50x2,8	.03		44.6	49.9	100	350

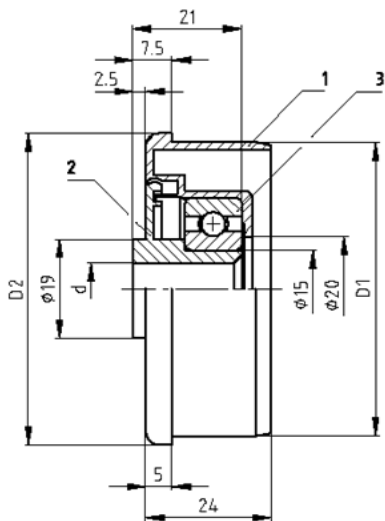


Type	Normaal: .02 RVS: .03	Boring d+0.15	D1 +0.2	D2 -0.2	Draaggetallen C (N)	Eenheid Stuks
KTR-50x1,5	.02	12.1	47.3	49.9	100	350
KTR-50x2,8	.02		44.6	49.9	100	350
KTR-50x1,5	.03		47.3	49.9	100	350
KTR-50x2,8	.03		44.6	49.9	100	350

Kunststof lagerpotten

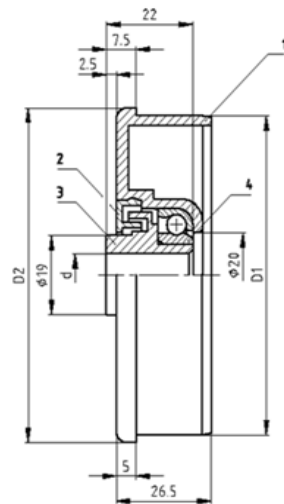


Type	Normaal: .30 RVS: .31	Boring d+0.2	D1 +0.2	D2 -0.2	Draaggetallen C (N)	Eenheid Stuks
KTR-50x1,5	.30	8.1 10.1 12.1 14.1 15.0 SW 11.1	47.3	49.9	800	300
KTR-50x2,0	.30		46.3	49.9	800	300
KTR-50x2,8	.30		44.6	49.9	800	300
KTR-60x1,5	.30		57.3	59.9	800	300
KTR-60x2,0	.30		56.3	59.9	800	300
KTR-50x1,5	.31		47.3	49.9	250	300
KTR-50x2,0	.31		46.3	49.9	250	300
KTR-50x2,8	.31		44.6	49.9	250	300
KTR-60x1,5	.31		57.3	59.9	250	300
KTR-60x2,0	.31		56.3	59.9	250	300

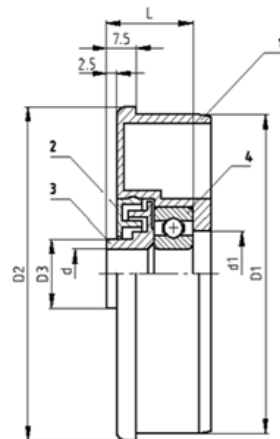


Type		Boring d+0.1	D1 +0.2	D2 -0.2	Draaggetallen C (N)	Eenheid Stuks
KTR-50x1,5	.40	8.05 10.05 12.05 14.05 15.00 SW 11.10	47.3	49.9	800	300
KTR-50x2,0	.40		46.3	49.9	800	300
KTR-50x2,8	.40		44.6	49.9	800	300
KTR-60x1,5	.40		57.3	59.9	800	300
KTR-60x2,0	.40		56.3	59.9	800	300
KTR-60x2,8	.40		54.3	59.9	800	300
KTR-65x2,0	.40		61.3	64.9	800	300

Kunststof lagerpotten

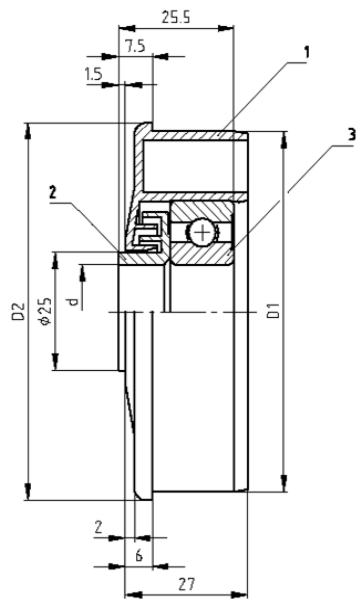


Type	Normaal: .30 RVS: .31	Boring d+0.2	D1 +0.2	D2 -0.2	Draaggetallen C (N)	Eenheid Stuks
KTR-80x2,0	.30	10.1	76.3	79.9	800	100
KTR-80x3,0	.30	12.1	74.3	79.9	800	100
		14.1				
KTR-80x2,0	.31	15.1	76.3	79.9	250	100
KTR-80x3,0	.31	SW 11.1	74.3	79.9	250	100



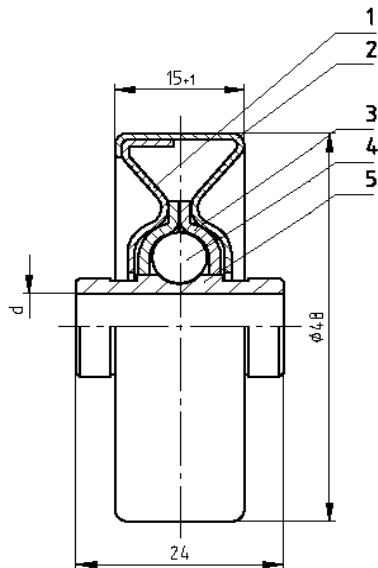
Type		Boring d+0.1	D1 +0.2	D2-0.2	Draaggetallen C (N)	Eenheid Stuks
KTR-50x1,5	.40		47.3	49.9	800	300
KTR-50x2,0	.40		46.3	49.9	800	300
KTR-50x2,8	.40	8.05	44.6	49.9	800	300
		10.05				
KTR-60x1,5	.40	12.05	57.3	59.9	800	300
KTR-60x2,0	.40	14.05	56.3	59.9	800	300
KTR-60x3,0	.40	15.00	54.3	59.9	800	300
KTR-65x2,0	.40	SW 11.10	61.3	64.9	800	300

Kunststof lagerpotten



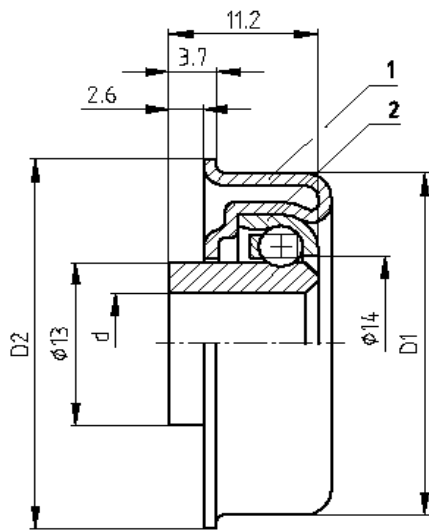
Type	Boring d	D1 +0.2	D2 -0.2	Draaggetallen C (N)	Eenheid Stuks
KTR-63,5x2,9	.43	58.0	63.4	1500	100
KTR-80x2,0	.43	76.4	79.9	1500	100
KTR-80x3,0	.43	74.4	79.9		
KTR-63,5x2,9	.44	58.0	63.4	1500	100
KTR-80x2,0	.44	76.4	79.9	1500	100
KTR-80x3,0	.44	74.4	79.9	1500	100

Verzinkte looprollen



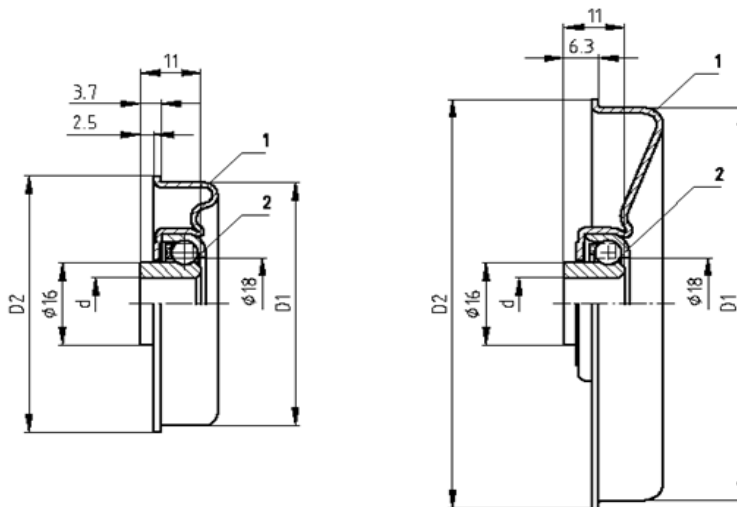
Type	Boring d -0,1	Draaggetallen C (N)	Eenheid Stuks
SLR-480	6.3	200	250
	8.3		

Staalverzinkte lagerpotten



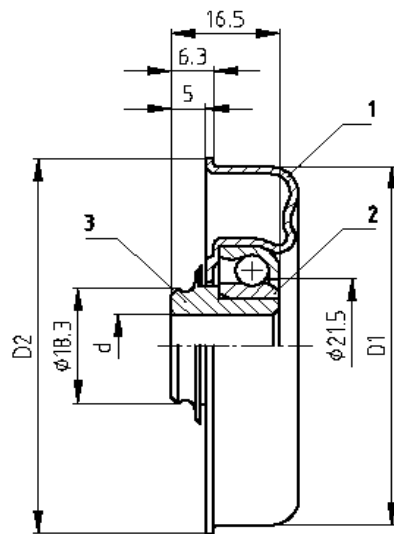
Type	Boring d+0.15	D1 ±0.2	D2 ±0.2	Draaggetallen C (N)	Eenheid Stuks
MTR-30x1,5	.16	27.3	29.6	300	500

MTR-80x2,020

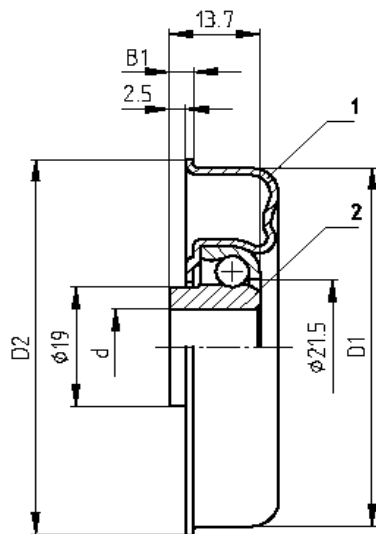


Type	Boring d+0.15	D1 ±0.1	D2 ±0.2	Draaggetallen C (N)	Eenheid Stuks
MTR-40x1,5	.20	37.3	39.5	800	250
MTR-40x2,0	.20	36.3	39.5	800	250
MTR-48x1,5	.20	45.3	47.5	800	350
MTR-48x2,0	.20	44.3	47.5	800	350
MTR-50x1,5	.20	47.3	49.5	800	350
MTR-50x2,0	.20	46.3	49.5	800	350
MTR-60x1,5	.20	57.3	59.5	800	200
MTR-60x2,0	.20	56.3	59.5	800	200
MTR-80x2,0	.20	76.4	79.5	800	*

Staalverzinkte lagerpotten

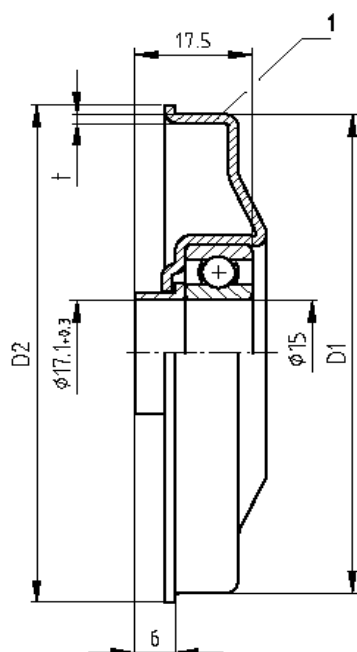


Type	Boring d+0.15	D1 ±0.1	D2 ±0.2	Draaggetallen C (N)	Eenheid Stuks
MTR-50x1,5 .30	10.1 12.1 SW 11.1	47.3	49.5	1200	300
MTR-50x2,0 .30		46.3	49.5	1200	300
MTR-60x1,5 .30		57.3	59.5	1200	200
MTR-60x2,0 .30		56.3	59.5	1200	200
MTR-80x2,0 .30		76.4	79.5	1200	*



Type	Boring d+0.15	D1 ±0.1	D2 ±0.2	Draaggetallen C (N)	Eenheid Stuks
MTR-50x1,5 .30-2	12.1 14.1 15.1 SW 11.25	47.3	49.5	1200	300
MTR-50x2,0 .30-2		46.3	49.5	1200	300
MTR-60x1,5 .30-2		57.3	59.5	1200	200
MTR-60x2,0 .30-2		56.3	59.5	1200	200
MTR-80x2,0 .30-2		76.4	79.5	1200	*

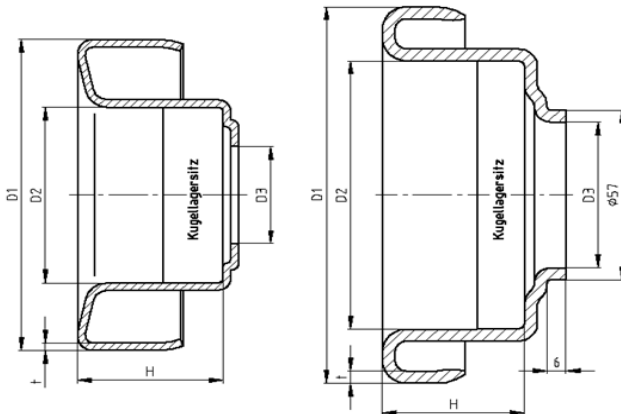
Staalverzinkte lagerpotten



Type		D1 ±0.1	D2 ±0.2	t	Draaggetallen C (N)	Eenheid Stuks
MTR-80x2,0	.45.17	76.5	79.5	1.5	1500	*

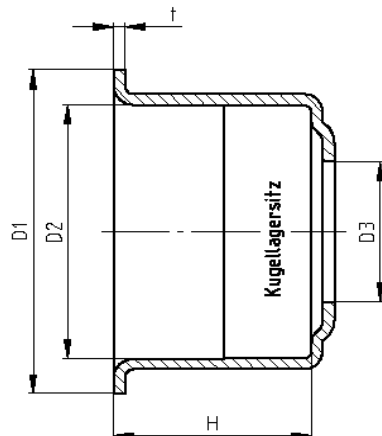
Stalen lagerhouder

LH-133x3,6/6308-4,0
LH-159x4,5/6308-4,0



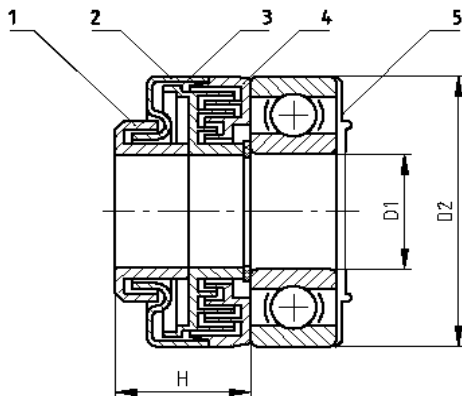
Type	D1	D2	D3	H	t	Eenheid Stuks
LH-63,5 x 1,75 /6204	60.5	47	26.0	33.0	1.5	6000
LH-80 x 2,0 /6204	76.5	47	26.0	36.5	2.0	3500
LH-80 x 3,0 /6204	74.5	47	28.0	36.5	2.0	3500
LH-89 x 3,0 /6204 - 1,5	83.7	47	21.0	33.5	1.5	3100
LH-89 x 3,0 /6204 - 1,5 RVS	83.7	47	21.0	33.5	1.5	3100
LH-89 x 3,0 /6204	83.5	47	26.0	36.5	2.1	3100
LH-89 x 3,0 /6305	83.5	62	36.5	40.5	2.0	2600
LH-108 x 2,5 /6204	103.3	47	26.0	38.5	2.0	2100
LH-108 x 3,25 /6204	102.1	47	26	38.5	2.0	2100
LH-108 x 2,5 /6305	103.3	62	36.5	40.5	2.0	1900
LH-108 x 3,25 /6305	102.1	62	36.5	40.5	2.0	1900
LH-108 x 3,25 /6306 -3,0	102.1	72	36,5	42.0	2.0	1700
LH-133 x 3,6 /6204 -2,5	126.3	47	26.0	36.5	2.5	1150
LH-133 x 3,6 /6305 -2,5	126.3	82	38.5	40.5	2.5	1150
LH-133 x 3,6 /6306 -3,5	126.3	72	38,5	42.0	3.5	1000
LH-133 x 3,6 /6308 -4,0	126.3	90.1	49	44.6	4.0	800
LH-159 x 4,5 /6308 -4,0	150.8	90.1	49	44.6	4.0	600

Stalen flenslagerhouder



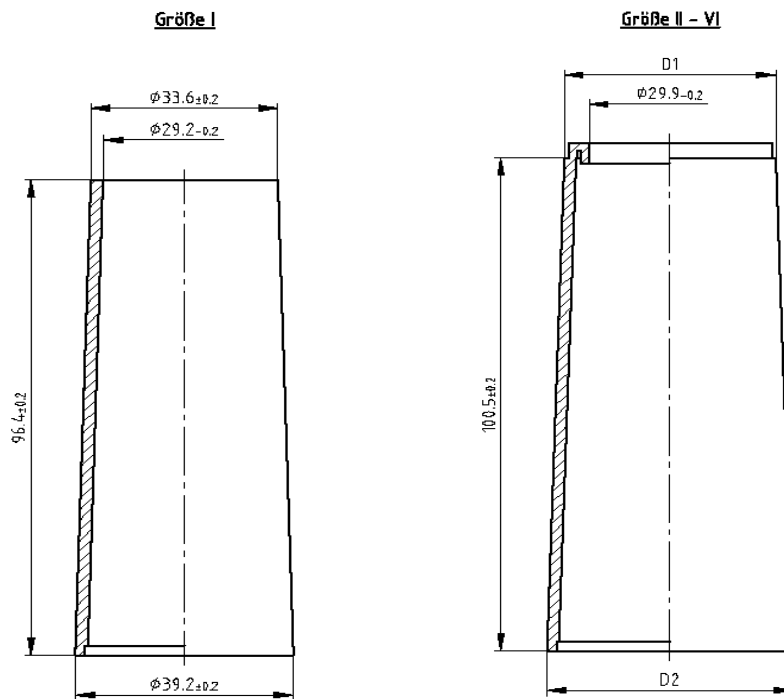
Type	D1	D2	D3	H	t	Eenheid Stuks
FL-60 x 3,0 /6204	58.1	47.1	26.0	34	2.0	4000
FL-63,5 x 2,9 x 3,0 /6204	60	47.1	26.0	34.5	2.0	4000
FL-70 x 2,0 /6204	68.2	47.1	26.0	34.5	2.0	2000
FL-70 x 2,9 /6204	67.1	47.1	26.0	34.5	2.0	2000
FL-76 x 2,0 /6204	74.1	47.1	26.0	34.5	2.0	2000
FL-76 x 2,9 /6204	73.1	47.1	26.0	34.5	2.0	2000

Labyrinth



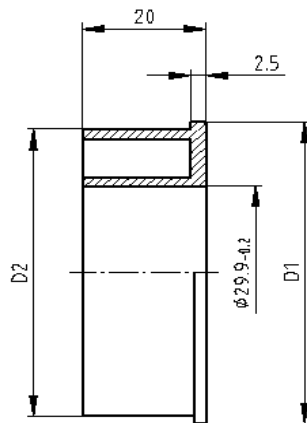
Type	D1	D2	H	Opmerking
LH-6303	17	47	4,7	
LH-6204	20	47	47	
LH-6305	25	62	62	
LH-6206	30	62	62	
LH-6306	30	72	72	zonder pos 5.
LH-6308	40	90	90	zonder pos 5.

Conische kunststof elementen I



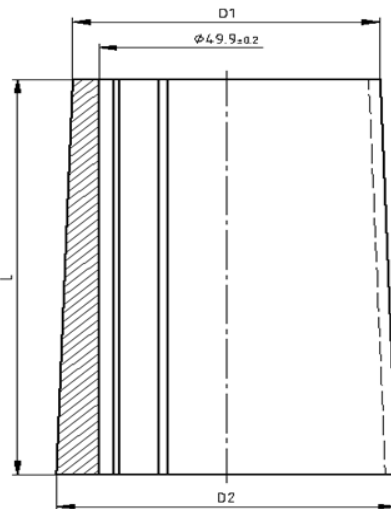
Größe	D1 ±0.2	D2 ±0.2
II	39.1	45.6
III	45.7	52.1
IV	52.2	58.8
V	58.6	65.1
VI	65.2	71.9

Eindeksels I



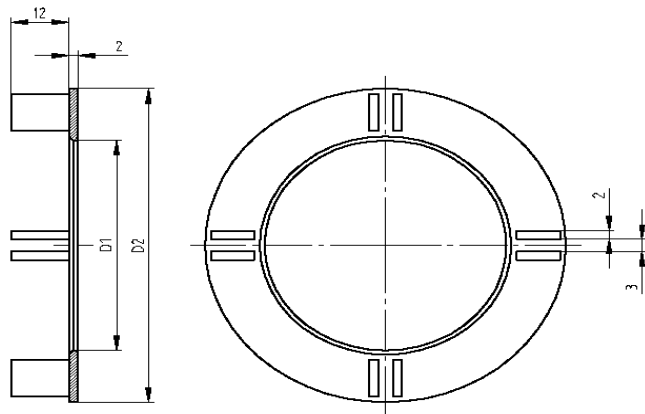
Größe	D1 ± 0.2	D2 ± 0.2
II	45.6	40.0
III	52.1	46.7
IV	57.9	57.9
V	64.9	60.0
VI	71.3	66.4

Conische kunststof elementen II



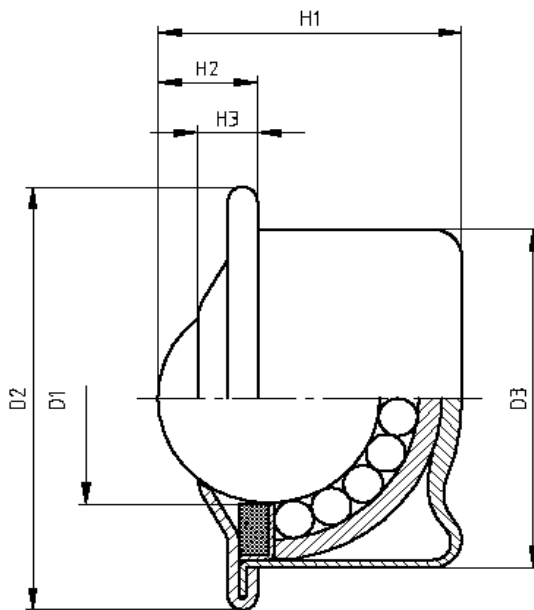
Größe	D1 ± 0.5	D2 ± 0.5	L ± 0.5
I	53.4	59.7	92.5
I (lang)	54.0	59.7	95.5
II	60.0	66.5	100.0
III	66.5	73.0	99.0
IV	73.5	80.0	100.0
V	80.0	86.5	95.5
VI	86.5	93.5	100.0
VII	93.5	100.0	100.0
VIII	100.0	106.5	95.5
IX	106.5	113.0	95.5
X	113.0	119.5	95.5

Eindeksels II



Größe	D1 +0.2	D2 +0.2
4	50.6	75.5
5	50.7	81.7
6	50.6	87.7
7	50.6	94.3

Kogelpotten



Type	D1	D2	D3	H1	H2	H3
KRO - 015L	15.875	31.0	24.0	21.0	75.5	5.5
KRO - 022L	22.225	45.0	38.0	30.5	10.0	6.0