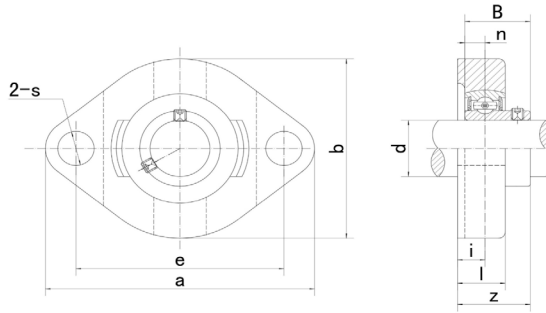


TWEEPUNTS FLENSLAGERBLOKKEN TWO BOLT FLANGE UNITS

Gegoten lagerblokken / SAFD201 - SAFD207 & SBFD201 - SBFD207

SBFD met stelbout

- * 234... FK
- * 230... FK alternatief
- * 231... FK met kap
- * 235... FK met kap alternatief
- * 200... Neutraal

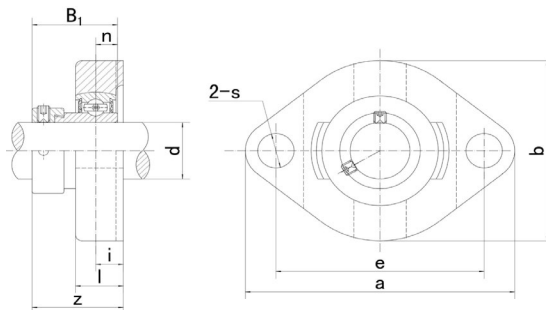


Type	Code*	Afmetingen (mm / in.)										Bout mm/in.	Lagertype	Huis	Gewicht (kg)
		d	a	e	b	i	s	l	z	B	n				
SBFD 201	234201006	12	81	63	59	8,5	7	15	24	22	6	M6	SB201	FD203	0,27
201-8	-	1/2	3-3/16	2-31/64	2-21/64	21/64	9/32	19/32	61/64	0.8661	0.2362	1/4	SB201-8	FD203	0,27
SBFD 202	234202006	15	81	63	59	8,5	7	15	24	22	6	M6	SB202	FD203	0,27
202-9	-	9/16	3-3/16	2-31/64	2-21/64	21/64	9/32	19/32	61/64	0.8661	0.2362	1/4	SB202-9	FD203	0,27
202-10	-	5/8	3-3/16	2-31/64	2-21/64	21/64	9/32	19/32	61/64	0.8661	0.2362	1/4	SB202-10	FD203	0,27
SBFD 203	234203006	17	81	63	59	8,5	7	15	24	22	6	M6	SB203	FD203	0,27
203-11	-	11/16	3-3/16	2-31/64	2-21/64	21/64	9/32	19/32	61/64	0.8661	0.2362	1/4	SB203-11	FD203	0,27
SBFD 204	234204006	20	90	71	67	9,5	10	17	27,5	25	7	M8	SB204	FD204	0,37
204-12	-	3/4	3-35/64	2-51/64	2-41/64	3/8	25/64	43/64	1-5/64	0.9843	0.2756	5/16	SB204-12	FD204	0,37
SBFD 205	234205006	25	95	76	71	9,5	10	17	29	27	7,5	M8	SB205	FD205	0,41
205-13	-	13/16	3-3/4	2-63/64	2-51/64	3/8	25/64	43/64	1-9/64	1.0630	0.2953	5/16	SB205-13	FD205	0,41
205-14	-	7/8	3-3/4	2-63/64	2-51/64	3/8	25/64	43/64	1-9/64	1.0630	0.2953	5/16	SB205-14	FD205	0,41
205-15	-	15/16	3-3/4	2-63/64	2-51/64	3/8	25/64	43/64	1-9/64	1.0630	0.2953	5/16	SB205-15	FD205	0,41
205-16	-	1	3-3/4	2-63/64	2-51/64	3/8	25/64	43/64	1-9/64	1.0630	0.2953	5/16	SB205-16	FD205	0,41
SBFD 206	234206006	30	113	90	84	12	12	21	34	30	8	M10	SB206	FD206	0,67
206-17	-	1-1/16	4-7/16	3-35/64	3-5/16	15/32	15/32	53/64	1-11/32	1.1811	0.3150	3/8	SB206-17	FD206	0,67
206-18	-	1-1/8	4-7/16	3-35/64	3-5/16	15/32	15/32	53/64	1-11/32	1.1811	0.3150	3/8	SB206-18	FD206	0,67
206-19	-	1-3/16	4-7/16	3-35/64	3-5/16	15/32	15/32	53/64	1-11/32	1.1811	0.3150	3/8	SB206-19	FD206	0,67
206-20	-	1-1/4	4-7/16	3-35/64	3-5/16	15/32	15/32	53/64	1-11/32	1.1811	0.3150	3/8	SB206-20	FD206	0,67
SBFD 207	234207006	35	125	100	94	12,5	12	22	36	32	8,5	M10	SB207	FD207	0,87
207-20	-	1-1/4	4-59/64	3-15/16	3-45/64	1/2	15/32	7/8	1-27/64	1.2598	0.3346	3/8	SB207-20	FD207	0,87
207-21	-	1-5/16	4-59/64	3-15/16	3-45/64	1/2	15/32	7/8	1-27/64	1.2598	0.3346	3/8	SB207-21	FD207	0,87
207-22	-	1/3/8	4-59/64	3-15/16	3-45/64	1/2	15/32	7/8	1-27/64	1.2598	0.3346	3/8	SB207-22	FD207	0,87
207-23	-	1-7/16	4-59/64	3-15/16	3-45/64	1/2	15/32	7/8	1-27/64	1.2598	0.3346	3/8	SB207-23	FD207	0,87

SAFD

met excentrische klemring

- * 234... FK
- * 230... FK alternatief
- * 231... FK met kap
- * 235... FK met kap alternatief
- * 200... Neutraal



Type	Code*	Afmetingen (mm / in.)										Bout mm/in.	Lagertype	Huis	Gewicht (kg)
		d	a	e	b	i	s	l	z	B1	n				
SAFD 201	-	12	81	63	59	8,5	7	15	30,6	28,6	6,5	M6	SA201	FD203	0,29
201-8	-	1/2	3-3/16	2-31/64	2-21/64	21/64	9/32	19/32	1-13/64	1.1260	0.2559	1/4	SA201-8	FD203	0,29
SAFD 202	-	15	81	63	59	8,5	7	15	30,6	28,6	6,5	M6	SA202	FD203	0,29
202-9	-	9/16	3-3/16	2-31/64	2-21/64	21/64	9/32	19/32	1-13/64	1.1260	0.2559	1/4	SA202-9	FD203	0,29
202-10	-	5/8	3-3/16	2-31/64	2-21/64	21/64	9/32	19/32	1-13/64	1.1260	0.2559	1/4	SA202-10	FD203	0,29
SAFD 203	-	17	81	63	59	8,5	7	15	30,6	28,6	6,5	M6	SA203	FD203	0,29
203-11	-	11/16	3-3/16	2-31/64	2-21/64	21/64	9/32	19/32	1-13/64	1.1260	0.2559	1/4	SA203-11	FD203	0,29
SAFD 204	-	20	90	71	67	9,5	10	17	33	31	7,5	M8	SA204	FD204	0,40
204-12	-	3/4	3-35/64	2-51/64	2-41/64	3/8	25/64	43/64	1-19/64	1.2204	0.2953	5/16	SA204-12	FD204	0,40
SAFD 205	-	25	95	76	71	9,5	10	17	33	31	7,5	M8	SA205	FD205	0,45
205-13	-	13/16	3-3/4	2-63/64	2-51/64	3/8	25/64	43/64	1-19/64	1.2204	0.2953	5/16	SA205-13	FD205	0,45
205-14	-	7/8	3-3/4	2-63/64	2-51/64	3/8	25/64	43/64	1-19/64	1.2204	0.2953	5/16	SA205-14	FD205	0,45
205-15	-	15/16	3-3/4	2-63/64	2-51/64	3/8	25/64	43/64	1-19/64	1.2204	0.2953	5/16	SA205-15	FD205	0,45
205-16	-	1	3-3/4	2-63/64	2-51/64	3/8	25/64	43/64	1-19/64	1.2204	0.2953	5/16	SA205-16	FD205	0,45
SAFD 206	-	30	113	90	84	12	12	21	38,7	35,7	9	M10	SA206	FD206	0,72
206-17	-	1-1/16	4-7/16	3-35/64	3-5/16	15/32	15/32	53/64	1-17/32	1.4055	0.3543	3/8	SA206-17	FD206	0,72
206-18	-	1-1/8	4-7/16	3-35/64	3-5/16	15/32	15/32	53/64	1-17/32	1.4055	0.3543	3/8	SA206-18	FD206	0,72
206-19	-	1-3/16	4-7/16	3-35/64	3-5/16	15/32	15/32	53/64	1-17/32	1.4055	0.3543	3/8	SA206-19	FD206	0,72
206-20	-	1-1/4	4-7/16	3-35/64	3-5/16	15/32	15/32	53/64	1-17/32	1.4055	0.3543	3/8	SA206-20	FD206	0,72
SAFD 207	-	35	125	100	94	12,5	12	22	41,9	38,9	9,5	M10	SA207	FD207	1,00
207-20	-	1-1/4	4-59/64	3-15/16	3-45/64	1/2	15/32	7/8	1-21/32	1.5315	0.3740	3/8	SA207-20	FD207	1,00
207-21	-	1-5/16	4-59/64	3-15/16	3-45/64	1/2	15/32	7/8	1-21/32	1.5315	0.3740	3/8	SA207-21	FD207	1,00
207-22	-	1/3/8	4-59/64	3-15/16	3-45/64	1/2	15/32	7/8	1-21/32	1.5315	0.3740	3/8	SA207-22	FD207	1,00
207-23	-	1-7/16	4-59/64	3-15/16	3-45/64	1/2	15/32	7/8	1-21/32	1.5315	0.3740	3/8	SA207-23	FD207	1,00