

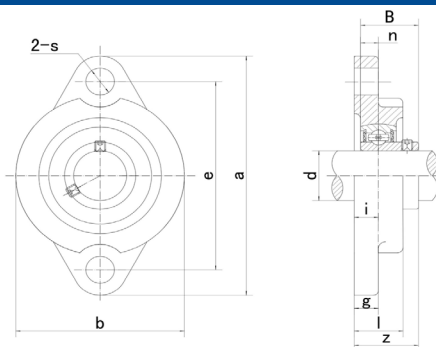
TWEEPUNTS FLENSLAGERBLOKKEN TWO BOLT FLANGE UNITS

Gegoten lagerblokken / SALF201 - SALF207 & SBLF201 - SBLF207

SBLF

met stelbout

- * 234... FK
- * 230... FK alternatief
- * 231... FK met kap
- * 235... FK met kap alternatief
- * 200... Neutraal

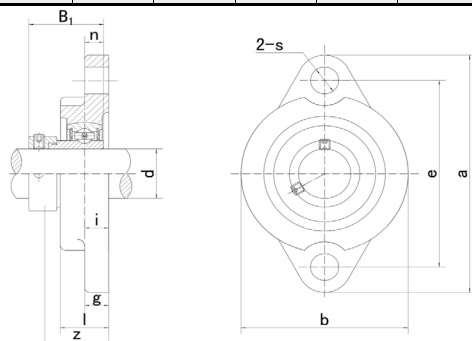


Type	Code*	Afmetingen (mm / in.)											Bout mm/in.	Lagertype	Huis	Gewicht (kg)
		d	a	e	b	i	s	g	l	z	B	n				
SBLF 201 201-8	234201005 -	12 1/2	81 3-3/16	64 2-1/2	56 2-13/64	9,5 3/8	8 5/16	10 3/8	18 45/64	25,5 1	22 0.8661	6 0.2362	M6 1/4	SB201 SB201-8	LF203	0,24
SBLF 202 202-9 202-10	234202005 - -	15 9/16 5/8	81 3-3/16	64 2-1/2	56 2-13/64	9,5 3/8	8 5/16	10 3/8	18 45/64	25,5 1	22 0.8661	6 0.2362	M6 1/4	SB202 SB202-9 SB202-10	LF203	0,24
SBLF 203 203-11	234203005 -	17 11/16	81 3-3/16	64 2-1/2	56 2-13/64	9,5 3/8	8 5/16	10 3/8	18 45/64	25,5 1	22 0.8661	6 0.2362	M6 1/4	SB203 SB203-11	LF203	0,24
SBLF 204 204-12	234204005 -	20 3/4	90 3-35/64	72 2-13/16	61 2-13/32	11,0 7/16	10 25/64	11 7/16	20 25/32	29 1-9/64	25 0.9843	7 0.2756	M8 5/16	SB204 SB204-12	LF204	0,32
SBLF 205 205-13 205-14 205-15 205-16	234205005 - - - -	25 13/16 7/8 15/16 1	95 3-3/4	76 2-63/64	64 2-33/64	11,0 7/16	10 25/64	11 7/16	20 25/32	30,5 1-13/64	27 1.0630	7,5 0.2953	M8 5/16	SB205 SB205-13 SB205-14 SB205-15 SB205-16	LF205	0,34
SBLF 206 206-17 206-18 206-19 206-20	234206005 - - - -	30 1-1/16 1-1/8 1-3/16 1-1/4	113 4-7/16	91 3-9/16	76 2-63/64	12 15/32	12 15/32	12 15/32	22,5 57/64	34 1-11/32	30 1.1811	8 0.3150	M10 3/8	SB206 SB206-17 SB206-18 SB206-19 SB206-20	LF206	0,53
SBLF 207 207-20 207-21 207-22 207-23	234207005 - - - -	35 1-1/4 1-5/16 1/3/8 1-7/16	122 4-13/16	100 3-15/16	89 3-1/2	13 33/64	12 15/32	13 33/64	24 61/64	36,5 1-7/16	32 1.2598	8,5 0.3364	M10 3/8	SB207 SB207-20 SB207-21 SB207-22 SB207-23	LF207	0,73

SALF

met excentrische klemring

- * 234... FK
- * 230... FK alternatief
- * 231... FK met kap
- * 235... FK met kap alternatief
- * 200... Neutraal



Type	Code*	Afmetingen (mm / in.)											Bout mm/in.	Lagertype	Huis	Gewicht (kg)
		d	a	e	b	i	s	g	l	z	B1	n				
SALF 201 201-8	- -	12 1/2	81 3-3/16	64 2-1/2	56 2-13/64	9,5 3/8	8 5/16	10 3/8	18 45/64	31,6 1-1/4	28,6 1.1260	6,5 0.2559	M6 1/4	SA201 SA201-8	LF203	0,27
SALF 202 202-9 202-10	- - -	15 9/16 5/8	81 3-3/16	64 2-1/2	56 2-13/64	9,5 3/8	8 5/16	10 3/8	18 45/64	31,6 1-1/4	28,6 1.1260	6,5 0.2559	M6 1/4	SA202 SA202-9 SA202-10	LF203	0,27
SALF 203 203-11	- -	17 11/16	81 3-3/16	64 2-1/2	56 2-13/64	9,5 3/8	8 5/16	10 3/8	18 45/64	31,6 1-1/4	28,6 1.1260	6,5 0.2559	M6 1/4	SA203 SA203-11	LF203	0,27
SALF 204 204-12	- -	20 3/4	90 3-35/64	72 2-13/16	61 2-13/32	11,0 7/16	10 25/64	11 7/16	20 25/32	34,5 1-23/64	31 1.2204	7,5 0.2953	M8 5/16	SA204 SA204-12	LF204	0,35
SALF 205 205-13 205-14 205-15 205-16	- - - - -	25 13/16 7/8 15/16 1	95 3-3/4	76 2-63/64	64 2-33/64	11,0 7/16	10 25/64	11 7/16	20 25/32	34,5 1-23/64	31 1.2204	7,5 0.2953	M8 5/16	SA205 SA205-13 SA205-14 SA205-15 SA205-16	LF205	0,40
SALF 206 206-17 206-18 206-19 206-20	- - - - -	30 1-1/16 1-1/8 1-3/16 1-1/4	113 4-7/16	91 3-9/16	76 2-63/64	12 15/32	12 15/32	12 15/32	22,5 57/64	38,7 1-33/64	35,7 1.4055	9 0.3543	M10 3/8	SA206 SA206-17 SA206-18 SA206-19 SA206-20	LF206	0,60
SALF 207 207-20 207-21 207-22 207-23	- - - - -	35 1-1/4 1-5/16 1/3/8 1-7/16	122 4-13/16	100 3-15/16	89 3-1/2	13 33/64	12 15/32	13 33/64	24 61/64	42,4 1-43/64	38,9 1.5315	9,5 0.3740	M10 3/8	SA207 SA207-20 SA207-21 SA207-22 SA207-23	LF207	0,90