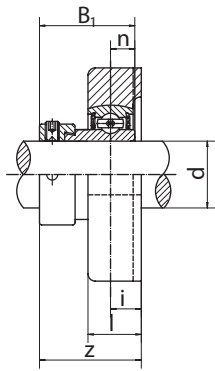


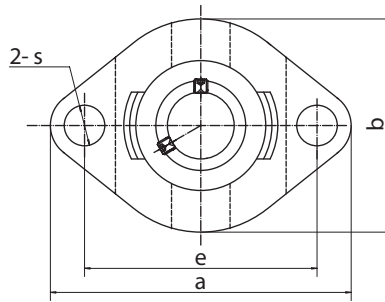
Ball Bearing Units

SAFD2 (SA2-Fitted)

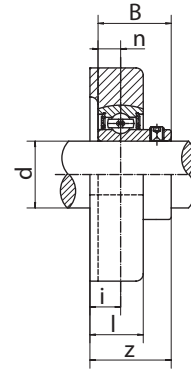


SAFD2

Flange Unit (Light duty)



SBFD2 (SB2-Fitted)



SBFD2

Unit NO.	Dimensions (mm / in.)										Bolt Size mm/in.	Bearing No.	Housing No.	Weight (kg)											
	d	a	e	b	i	s	l	z	B ₁	n															
SAFD 201 201-8	12 1/2	81 3-3/16	63 2-31/64	59 2-21/64	8.5 21/64	7 9/32	15 19/32	30.6 1-13/64	28.6 1.1260	6.5 0.2559	M6	SA201 SA201-8	FD201	0.29											
SAFD 202 202-9 202-10	15 9/16 5/8										17 11/16	20 3/4	90 3-35/64		71 2-51/64	67 2-41/64	9.5 3/8	10 25/64	17 43/64	33 1-19/64	31 1.2204	7.5 0.2953	M8	SA202 SA202-9 SA202-10	FD202
SAFD 203 203-11	17 11/16																						25 13/16 7/8 15/16 1	95 3-3/4	76 2-63/64
SAFD 204 204-12	20 3/4	30 1-1/16 1-1/8 1-3/16 1-1/4	113 4-7/16	90 3-35/64	84 3-5/16	12 15/32	12 15/32	21 53/64	38.7 1-17/32	35.7 1.4055	9 0.3543	M10	SA204 SA204-12	FD204	0.40										
SAFD 205 205-13 205-14 205-15 205-16	25 13/16 7/8 15/16 1											35 1-1/4 1-5/16 1/3/8 1-7/16	125 4-59/64	100 3-15/16	94 3-45/64	12.5 1/2	12 15/32	22 7/8	41.9 1-21/32	38.9 1.5315	9.5 0.3740	M10	SA205 SA205-13 SA205-14 SA205-15 SA205-16	FD205	0.45
SAFD 206 206-17 206-18 206-19 206-20	30 1-1/16 1-1/8 1-3/16 1-1/4	207-20 207-21 207-22 207-23	125 4-59/64	100 3-15/16	94 3-45/64	12.5 1/2	12 15/32	22 7/8	41.9 1-21/32	38.9 1.5315	9.5 0.3740											M10	SA206 SA206-17 SA206-18 SA206-19 SA206-20	FD206	0.72
SAFD 207 207-20 207-21 207-22 207-23	35 1-1/4 1-5/16 1/3/8 1-7/16											207-20 207-21 207-22 207-23	125 4-59/64	100 3-15/16	94 3-45/64	12.5 1/2	12 15/32	22 7/8	41.9 1-21/32	38.9 1.5315	9.5 0.3740	M10	SA207 SA207-20 SA207-21 SA207-22 SA207-23	FD207	1.00

Unit NO.	Dimensions (mm / in.)										Bolt Size mm/in.	Bearing No.	Housing No.	Weight (kg)											
	d	a	e	b	i	s	l	z	B	n															
SBFD 201 201-8	12 1/2	81 3-3/16	63 2-31/64	59 2-21/64	8.5 21/64	7 9/32	15 19/32	24 61/64	22 0.8661	6 0.2362	M6	SB201 SB201-8	FD201	0.27											
SBFD 202 202-9 202-10	15 9/16 5/8										17 11/16	20 3/4	90 3-35/64		71 2-51/64	67 2-41/64	9.5 3/8	10 25/64	17 43/64	27.5 1-5/64	25 0.9843	7 0.2756	M8	SB202 SB202-9 SB202-10	FD202
SBFD 203 203-11	17 11/16																						25 13/16 7/8 15/16 1	95 3-3/4	76 2-63/64
SBFD 204 204-12	20 3/4	30 1-1/16 1-1/8 1-3/16 1-1/4	113 4-7/16	90 3-35/64	84 3-5/16	12 15/32	12 15/32	21 53/64	34 1-11/32	30 1.1811	8 0.3150	M10	SB204 SB204-12	FD204	0.37										
SBFD 205 205-13 205-14 205-15 205-16	25 13/16 7/8 15/16 1											35 1-1/4 1-5/16 1/3/8 1-7/16	125 4-59/64	100 3-15/16	94 3-45/64	12.5 1/2	12 15/32	22 7/8	36 1-27/64	32 1.2598	8.5 0.3346	M10	SB205 SB205-13 SB205-14 SB205-15 SB205-16	FD205	0.41
SBFD 206 206-17 206-18 206-19 206-20	30 1-1/16 1-1/8 1-3/16 1-1/4	207-20 207-21 207-22 207-23	125 4-59/64	100 3-15/16	94 3-45/64	12.5 1/2	12 15/32	22 7/8	36 1-27/64	32 1.2598	8.5 0.3346											M10	SB206 SB206-17 SB206-18 SB206-19 SB206-20	FD206	0.67
SBFD 207 207-20 207-21 207-22 207-23	35 1-1/4 1-5/16 1/3/8 1-7/16											207-20 207-21 207-22 207-23	125 4-59/64	100 3-15/16	94 3-45/64	12.5 1/2	12 15/32	22 7/8	36 1-27/64	32 1.2598	8.5 0.3346	M10	SB207 SB207-20 SB207-21 SB207-22 SB207-23	FD207	0.87

Note: To specify relubricatable units, add "G" suffix, (e.g, SBFD205-16G)