

# KUNSTSTOF STAANDE LAGERBLOKKEN

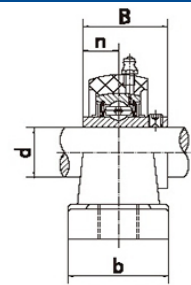
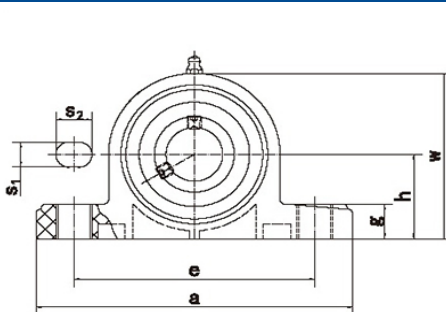
## THERMOPLASTISC PILLOW BLOCK UNITS

Kunststof lagerhuizen & RVS lagere / SS-UCPPL201 - SS-UCPPL212 & SS-UCPAPL201 - SS-UCPAPL212

### SS-UCPPL

Wordt niet als compleet lagerblok geleverd  
Huis en lagere apart verkrijgbaar

- \* 224... FK kunststof zwart
- \* 225... FK kunststof wit
- \* 223... GYC Kunststof zwart
- \* 226... GYC kunststof wit
- \* 221... GYC kunststof groen

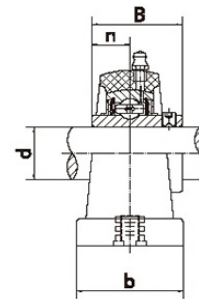
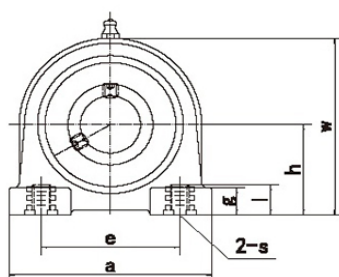


Type	Afmetingen (mm / in.)											Max. torsie		Lagertype	Code lager	Huis	Code huis*	Gewicht (kg)
	d	h	a	e	b	s1	s2	g	w	B	n	Bout	Nm					
SS-UCPPL201	12	33,3	127,0	95,0	38,0	11,0	14,0	14,2	65,5	31,0	12,7	M10	18	SS-UC201	242201006	PPL204	224204000	0,29
	1/2	1-5/16	5	3-3/4	1-1/2		9/16	9/16	2-9/16	1,221	0,500	3/8						
SS-UCPPL202	15	33,3	127,0	95,0	38,0	11,0	14,0	14,2	65,5	31,0	12,7	M10	18	SS-UC202	242202006	PPL204	224204000	0,29
	9/16 ; 5/8	1-5/16	5	3-3/4	1-1/2		9/16	9/16	2-9/16	1,221	0,500	3/8						
SS-UCPPL203	17	33,3	127,0	95,0	38,0	11,0	14,0	14,2	65,5	31,0	12,7	M10	18	SS-UC203	242203006	PPL204	224204000	0,29
	11/16	1-5/16	5	3-3/4	1-1/2		9/16	9/16	2-9/16	1,221	0,500	3/8						
SS-UCPPL204	20	33,3	127,0	95,0	38,0	11,0	14,0	14,2	65,5	31,0	12,7	M10	18	SS-UC204	242204006	PPL204	224204000	0,29
	3/4	1-5/16	5	3-3/4	1-1/2		9/16	9/16	2-9/16	1,221	0,500	3/8						
SS-UCPPL205	25	36,5	140,5	105,0	38,0	11,0	14,0	14,5	71,0	34,0	14,3	M10	25	SS-UC205	242205006	PPL205	224205000	0,34
	13/16 ; 7/8 ; 15/16 ; 1	1-7/16	5-17/32	4-1/8	1-1/2		9/16	19/32	2-25/32	1,343	0,563	3/8						
SS-UCPPL206	30	42,9	163,0	119,0	46,0	14,0	18,0	17,8	84,0	38,1	15,9	M10	30	SS-UC206	242206006	PPL206	224206000	0,54
	1-1/16 ; 1-1/8 ; 1-3/16 ; 1-1/4	1-11/16	6-27/64	4-11/16	1-13/16		45/64	45/64	3-5/16	1,500	0,626	3/8						
SS-UCPPL207	35	47,6	168,0	127,0	48,0	14,0	18,0	18,0	94,5	42,9	17,5	M12	35	SS-UC207	242207006	PPL207	224207000	0,78
	1-1/4 ; 1-5/16 ; 1-3/8 ; 1-7/16	1-7/8	6-39/64	5	1-7/8		45/64	45/64	3-23/32	1,689	0,689	7/16						
SS-UCPPL208	40	49,2	184,0	137,0	54,0	14,0	18,0	19,5	99,0	49,2	19,0	M12	40	SS-UC208	242208006	PPL208	224208000	0,97
	1-1/2 ; 1-9/16	1-15/16	7-1/4	5-13/32	2-1/8		45/64	49/64	3-57/64	1,937	0,748	7/16						
SS-UCPPL209	45	54,0	192,0	146,0	54,0	17,0	20,0	23,0	106,0	49,2	19,0	M16	45	SS-UC209	242209006	PPL209	224209000	1,09
	1-5/8 ; 1-11/16 ; 1-3/4	2-1/8	7-9/16	5-3/4	2-1/8		25/32	29/32	4-11/64	1,937	0,748	5/8						
SS-UCPPL210	50	57,2	206,0	159,0	60,0	17,0	20,0	23,0	114,0	51,6	19,0	M16	50	SS-UC210	242210006	PPL210	224210000	1,20
	1-13/16 ; 1-7/8 ; 1-15/16 ; 2	2-1/4	8-1/8	6-1/4	2-3/8		25/32	29/32	4-31/64	2,032	0,748	5/8						
SS-UCPPL211	55	63,5	219,0	171,0	60,0	20,0	23,0	23,0	125,0	55,6	22,2	M16	55	SS-UC211	242211006	PPL211	224211000	1,38
	2 ; 2-1/16 ; 2-1/8 ; 2-3/16	2-1/2	8-5/8	6-47/64	2-3/8		29/32	29/32	4-59/64	2,189	0,874	5/8						
SS-UCPPL212	60	69,8	241,0	184,0	70,0	20,0	23,0	25,0	138,0	65,1	25,4	M16	60	SS-UC212	242212006	PPL212	224212000	1,52
	2-1/4 ; 2-5/16 ; 2-3/8 ; 2-7/16	2-3/4	9-1/2	7-1/4	2-3/4		29/32	63/64	5-7/16	2,563	1,000	5/8						

### SS-UCPAPL

Wordt niet als compleet lagerblok geleverd  
Huis en lagere apart verkrijgbaar

- \* 224... FK kunststof zwart
- \* 226... FK kunststof wit
- \* 222... GYC Kunststof zwart
- \* 225... GYC kunststof wit
- \* 221... GYC kunststof groen



Type	Afmetingen (mm / in.)											Max. torsie		Lagertype	Code lager	Huis	Code huis*	Gewicht (kg)
	d	h	a	e	b	s	l	g	w	B	n	Bout	Nm					
SS-UCPAPL201	12	30,2	76,0	52,0	40,0	M8	15,0	11,0	62,0	31,0	12,7	M8	18	SS-UC201	242201006	PAPL204	224204001	0,55
	1/2	1-3/16	3	2-3/64	1-9/16		19/32	7/16	2-7/16	1,221	0,500							
SS-UCPAPL202	15	30,2	76,0	52,0	40,0	M8	15,0	11,0	62,0	31,0	12,7	M8	18	SS-UC202	242202006	PAPL204	224204001	0,55
	9/16 ; 5/8	1-3/16	3	2-3/64	1-9/16		19/32	7/16	2-7/16	1,221	0,500							
SS-UCPAPL203	17	30,2	76,0	52,0	40,0	M8	15,0	11,0	62,0	31,0	12,7	M8	18	SS-UC203	242203006	PAPL204	224204001	0,55
	11/16	1-3/16	3	2-3/64	1-9/16		19/32	7/16	2-7/16	1,221	0,500							
SS-UCPAPL204	20	30,2	76,0	52,0	40,0	M8	15,0	11,0	62,0	31,0	12,7	M8	18	SS-UC204	242204006	PAPL204	224204001	0,55
	3/4	1-3/16	3	2-3/64	1-9/16		19/32	7/16	2-7/16	1,221	0,500							
SS-UCPAPL205	25	36,5	84,0	56,0	38,0	M10	15,0	12,0	72,0	34,1	14,3	M10	25	SS-UC205	242205006	PAPL205	224205001	0,61
	13/16 ; 7/8 ; 15/16 ; 1	1-7/16	3-5/16	2-13/64	1-1/2		19/32	15/32	2-53/64	1,343	0,563							
SS-UCPAPL206	30	42,9	94,0	66,0	50,0	M10	18,0	12,0	84,0	38,1	15,9	M10	30	SS-UC206	242206006	PAPL206	224206001	0,89
	1-1/16 ; 1-1/8 ; 1-3/16 ; 1-1/4	1-11/16	3-45/64	2-19/32	1-31/32		45/64	15/32	3-5/16	1,500	0,626							
SS-UCPAPL207	35	47,6	110,0	80,0	55,0	M10	20,0	13,0	95,0	42,9	17,5	M10	35	SS-UC207	242207006	PAPL207	224207001	1,31
	1-1/4 ; 1-5/16 ; 1-3/8 ; 1-7/16	1-7/8	4-21/64	3-5/32	2-11/64		25/32	33/64	3-47/64	1,689	0,689							
SS-UCPAPL208	40	49,2	116,0	84,0	58,0	M12	20,0	13,0	100,0	49,2	19,0	M12	40	SS-UC208	242208006	PAPL208	224208001	1,56
	1-1/2 ; 1-9/16	1-15/16	4-9/16	3-5/16	2-9/32		25/32	33/64	3-15/16	1,937	0,748							
SS-UCPAPL209	45	54,2	120,0	90,0	60,0	M12	25,0	13,0	108,0	49,2	19,0	M12	45	SS-UC209	242209006	PAPL209	224209001	1,70
	1-5/8 ; 1-11/16 ; 1-3/4	2-9/64	4-23/32	3-35/64	2-23/64		63/64	33/64	4-1/4	1,937	0,748							
SS-UCPAPL210	50	57,2	130,0	94,0	64,0	M16	25,0	14,0	116,0	51,6	19,0	M16	50	SS-UC210	242210006	PAPL210	224210001	1,93
	1-13/16 ; 1-7/8 ; 1-15/16 ; 2	2-1/4	5-1/8	3-45/64	2-33/64		63/64	35/64	4-9/16	2,032	0,748							
SS-UCPAPL211	55	63,5	140,0	104,0	66,0	M16	25,0	14,0	125,0	55,6	22,2	M16	55	SS-UC211	242211006	PAPL211	224211001	2,33
	2 ; 2-1/16 ; 2-1/8 ; 2-3/16	2-1/2	5-33/64	4-3/32	2-19/32		63/64	35/64	4-59/64	2,189	0,874							
SS-UCPAPL212	60	69,9	150,0	114,0	68,0	M16	25,0	15,0	138,0	65,1	25,4	M16	60	SS-UC212	242212006	PAPL212	224212001	2,90
	2-1/4 ; 2-5/16 ; 2-3/8 ; 2-7/16	2-3/4	5-29/32	4-31/64	2-43/64		63/64	19/32	5-7/16	2,563	1,000							

# KUNSTSTOF STAANDE LAGERBLOKKEN

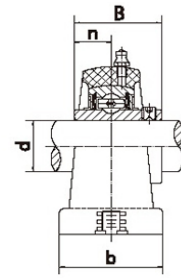
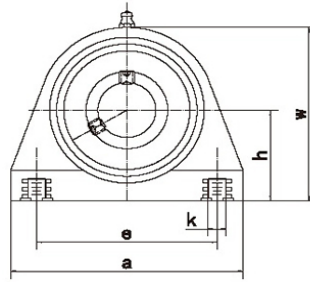
## THERMOPLASTIC PILLOW BLOCK UNITS

Kunststof lagerhuizen & RVS lagers / SS-UCFLPL204 - SS-UCFLPL212

### SS-UCTBPL(=UCPWPL)

Wordt niet als compleet lagerblok geleverd  
Huis en lagers apart verkrijgbaar

- \* 224... FK kunststof zwart
- \* 225... FK kunststof wit
- \* 223... GYC Kunststof zwart
- \* 226... GYC kunststof wit
- \* 221... GYC kunststof groen



Type	Afmetingen ( mm / in. )										Max. torsie		Lagertype	Code lager	Huis	Code huis*	Gewicht (kg)
	d	a	e	b	h	w	k	B	n	Bout	Nm						
SS-UCTBPL204	3/4 20	72,8 2-55/64	50,8 2	34,5 1-23/64	33,3 1-5/16	66,0 2-19/32	M8	31,0 1,2205	12,7 0,500	M8	18	SS-UC204	242204006	TBPL204	224204002	0,35	
SS-UCTBPL205	13/16 ; 7/8 ; 15/16 ; 1 30	76,2 3	50,8 2	39,5 1-9/16	36,5 1-7/16	73,5 2-57/64	M10	34,1 1,3425	14,3 0,563	M10	25	SS-UC205	242205006	TBPL205	224205002	0,40	
SS-UCTBPL206	1-1/16 ; 1-1/8 ; 1-3/16 ; 1-1/4 35	101,0 3-31/32	76,2 3	42,5 1-43/64	42,9 1-11/16	84,0 3-5/16	M10	38,1 1,5	15,9 0,626	M10	30	SS-UC206	242206006	TBPL206	224206002	0,55	
SS-UCTBPL207	1-1/4 ; 1-5/16 ; 1-3/8 ; 1-7/16 40	110,0 4-21/64	82,6 3-1/4	47,5 1-7/8	47,6 1-7/8	95,0 3-47/64	M10	42,9 1,689	17,5 0,689	M10	35	SS-UC207	242207006	TBPL207	224207002	0,80	
SS-UCTBPL208	1-1/2 ; 1-9/16 45	120,0 4-23/32	88,9 3-1/2	48,0 1-57/64	49,2 1-15/16	100,5 3-61/64	M12	49,2 1,937	19,0 0,748	M12	45	SS-UC208	242208006	TBPL208	224208002	0,95	
SS-UCTBPL209	1-5/8 ; 1-11/16 ; 1-3/4 50	124,0 4-7/8	95,3 3-3/4	50,0 1-31/32	54,0 2-1/8	108,5 4-9/32	M12	49,2 1,937	19,0 0,748	M12	50	SS-UC209	242209006	TBPL209	224209002	1,10	
SS-UCTBPL210	1-13/16 ; 1-7/8 ; 1-15/16 ; 2 55	135,0 5-5/16	101,6 4	54,0 2-1/8	57,2 2-1/4	115,0 4-17/32	M16	51,6 2,0315	19,0 0,748	M16	55	SS-UC210	242210006	TBPL210	224210002	1,25	
SS-UCTBPL211	2 ; 2-1/16 ; 2-1/8 ; 2-3/16 60	140,0 5-33/64	104,0 4-3/32	66,0 2-19/32	63,5 2-1/2	125,0 4-59/64	M20	55,6 2,189	22,2 0,874	M20	60	SS-UC211	242211006	TBPL211	224211002	1,43	
SS-UCTBPL212	2-1/4 ; 2-5/16 ; 2-3/8 ; 2-7/16 65	150,0 5-29/32	114,0 4-31/64	68,0 2-43/64	69,9 2-3/4	138,0 5-7/16	M20	65,1 2,563	25,4 1,000	M20	65	SS-UC212	242212006	TBPL212	224212002	1,58	