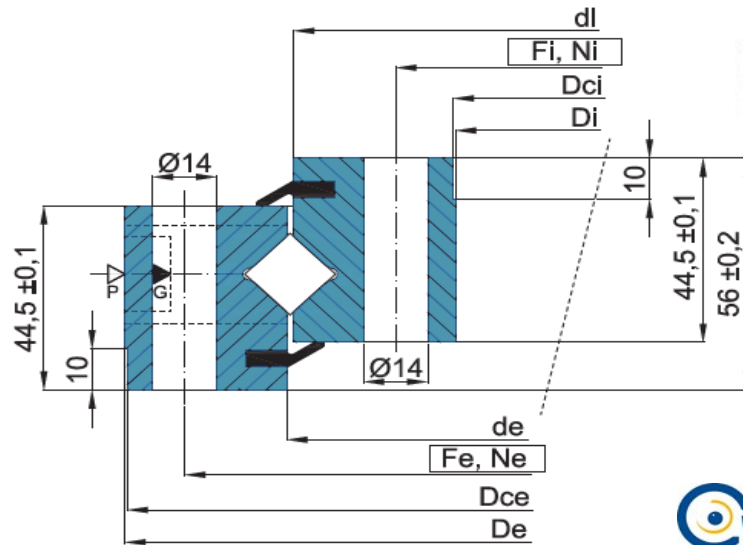


TANDKRANSEN ZONDER TAND SLEWING BEARINGS UNTOOTHED

Enkelrijige cilinder - standaard serie S

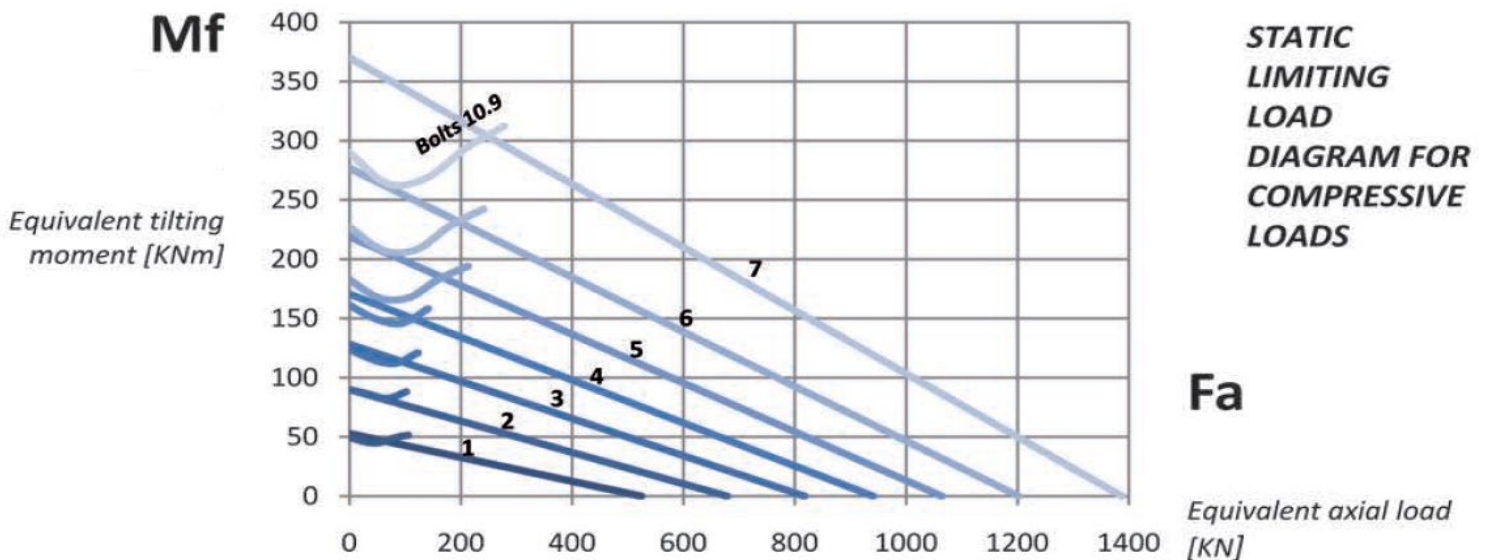
NR1.14 S serie



P: vulplug
G: vetnippel M8X1
Materiaal: staal C45 Q+T



| Code | Curve | mm | mm | mm | mm | mm | mm | mm | mm | mm | mm | Kg |
|----------------------|-------|------|------|----------|----------|------|------|------|----|------|----|----|
| | | De | Dce | de | di | Dci | Di | Fe | Ne | Fi | Ni | |
| NR1.14.0414.200-1PPN | 1 | 486 | 484 | 415+0,5 | 413-0,5 | 344 | 342 | 460 | 24 | 368 | 24 | 28 |
| NR1.14.0544.200-1PPN | 2 | 616 | 614 | 545+0,5 | 543-0,5 | 474 | 472 | 590 | 32 | 498 | 32 | 38 |
| NR1.14.0644.200-1PPN | 3 | 716 | 714 | 645+0,6 | 643-0,6 | 574 | 572 | 690 | 36 | 598 | 36 | 44 |
| NR1.14.0744.200-1PPN | 4 | 816 | 814 | 745+0,6 | 743-0,6 | 674 | 672 | 790 | 40 | 698 | 40 | 52 |
| NR1.14.0844.200-1PPN | 5 | 916 | 914 | 845+0,6 | 843-0,6 | 774 | 772 | 890 | 40 | 798 | 40 | 60 |
| NR1.14.0944.200-1PPN | 6 | 1016 | 1014 | 945+0,7 | 943-0,7 | 874 | 872 | 990 | 44 | 898 | 44 | 67 |
| NR1.14.1094.200-1PPN | 7 | 1166 | 1164 | 1095+0,7 | 1093-0,7 | 1024 | 1022 | 1140 | 48 | 1048 | 48 | 77 |



STATIC
LIMITING
LOAD
DIAGRAM FOR
COMPRESSIVE
LOADS

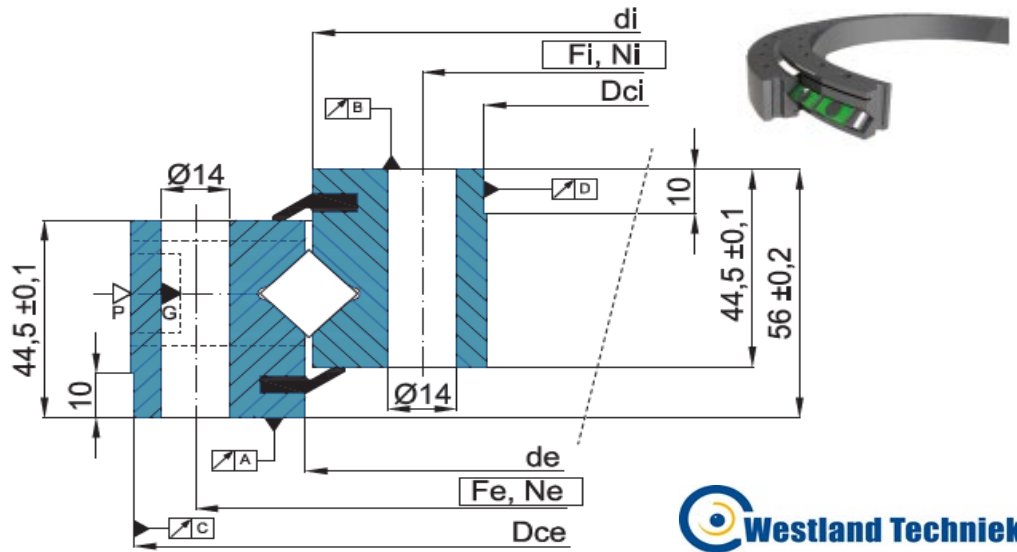
F_a

Equivalent axial load
[KN]

TANDKRANSEN ZONDER TAND SLEWING BEARINGS UNTOOTHED

Enkelrijige cilinder - standaard serie S

NR1.14 PR serie



P: vulplug
G: vetnippel n.4 M8X1
Materiaal: staal C45 Q+T



| Code | Curve | mm Dce | mm de | mm di | mm Dci | mm Fe | mm Ne | mm Fi | mm Ni | Kg |
|----------------------|-------|-----------|----------|----------|-----------|----------|----------|----------|----------|----|
| NR1.14.0414.201-3PPN | 1 | 484 | 415+0,5 | 413-0,5 | 344 | 460 | 24 | 368 | 24 | 28 |
| NR1.14.0544.201-3PPN | 2 | 614 | 545+0,5 | 543-0,5 | 474 | 590 | 32 | 498 | 32 | 38 |
| NR1.14.0644.201-3PPN | 3 | 714 | 645+0,6 | 643-0,6 | 574 | 690 | 36 | 598 | 36 | 44 |
| NR1.14.0744.201-3PPN | 4 | 814 | 745+0,6 | 743-0,6 | 674 | 790 | 40 | 698 | 40 | 52 |
| NR1.14.0844.201-3PPN | 5 | 914 | 845+0,6 | 843-0,6 | 774 | 890 | 40 | 798 | 40 | 60 |
| NR1.14.0944.201-3PPN | 6 | 1014 | 945+0,7 | 943-0,7 | 874 | 990 | 44 | 898 | 44 | 67 |
| NR1.14.1094.201-3PPN | 7 | 1164 | 1095+0,7 | 1093-0,7 | 1024 | 1140 | 48 | 1048 | 48 | 77 |

Uitloopwaarden

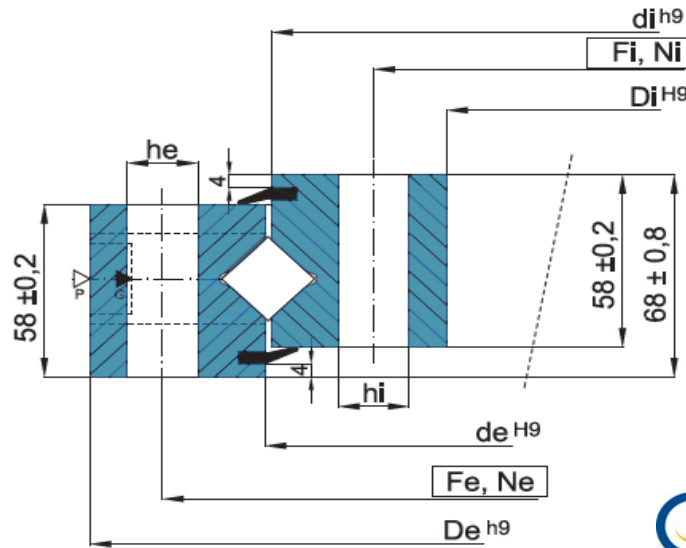
| n. | mm A | mm B | mm C | mm D |
|----|---------|---------|---------|---------|
| 1 | 0,04 | 0,04 | 0,06 | 0,06 |
| 2 | 0,04 | 0,04 | 0,07 | 0,06 |
| 3 | 0,05 | 0,05 | 0,08 | 0,07 |
| 4 | 0,05 | 0,05 | 0,08 | 0,08 |
| 5 | 0,05 | 0,05 | 0,09 | 0,08 |
| 6 | 0,06 | 0,06 | 0,09 | 0,09 |
| 7 | 0,07 | 0,07 | 0,11 | 0,11 |

Same load chart as NR1.14S Series

TANDKRANSEN ZONDER TAND SLEWING BEARINGS UNTOOTHED

Enkelrijige cilinder - standaard serie S

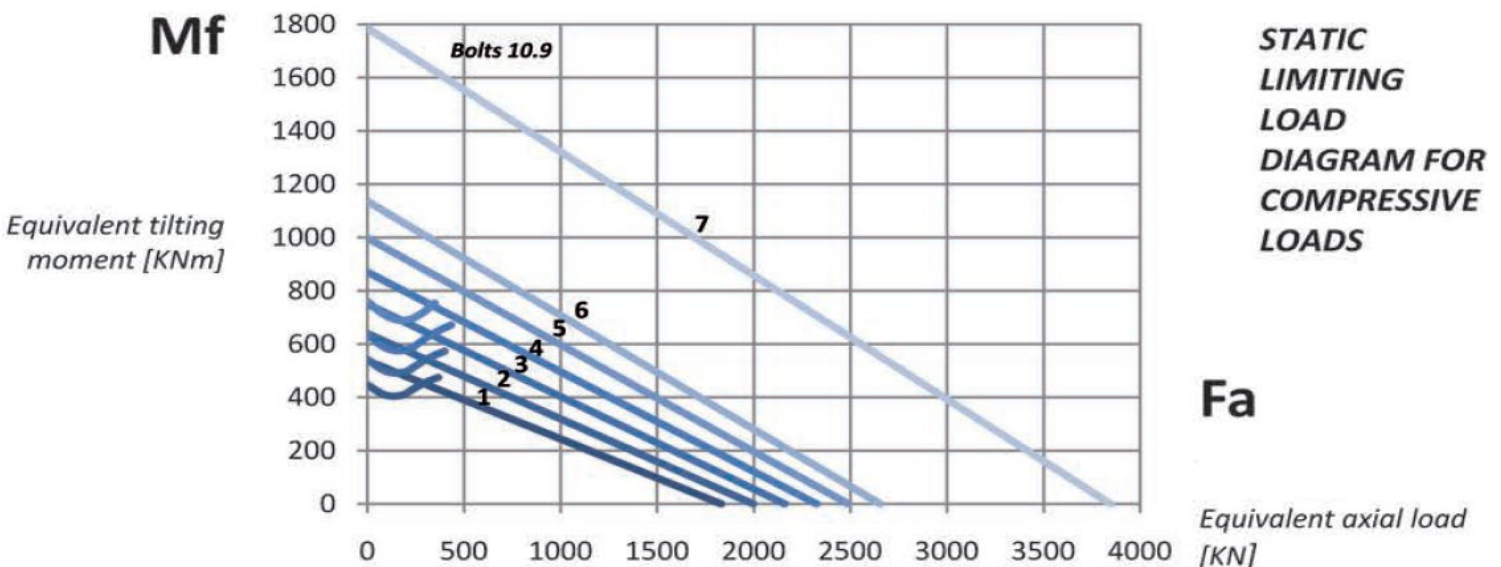
NR1.20 S serie



P: vulplug
G: vetnippel 4x M10X1
Materiaal: staal 42CrMo4 Q+T



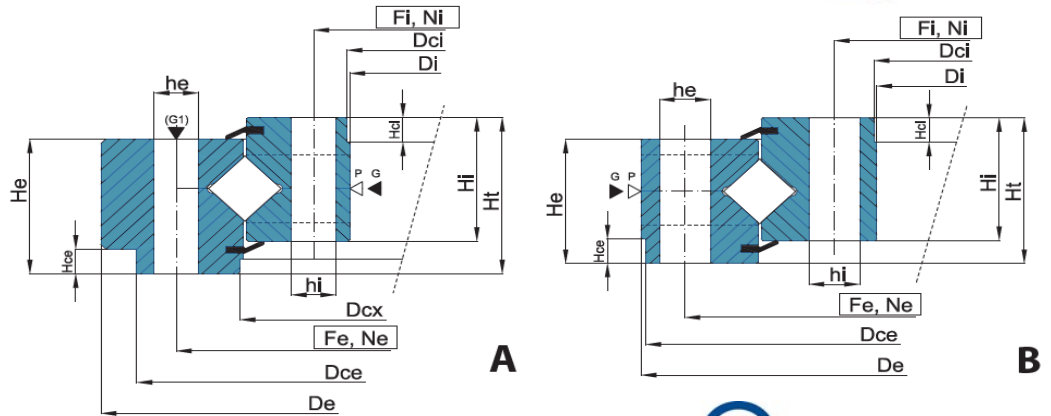
| Code | Curve | mm | mm | mm | mm | mm | mm | mm | mm | mm | mm | Kg |
|----------------------|-------|------|------|------|------|------|----|----|------|----|----|-----|
| | | De | de | di | Di | Fe | Ne | he | Fi | Ni | hi | |
| NR1.20.1204.400-2PPN | 1 | 1289 | 1206 | 1202 | 1119 | 1257 | 45 | 16 | 1151 | 45 | 16 | 124 |
| NR1.20.1314.400-2PPN | 2 | 1399 | 1316 | 1312 | 1229 | 1367 | 50 | 16 | 1261 | 50 | 16 | 135 |
| NR1.20.1424.400-2PPN | 3 | 1509 | 1426 | 1422 | 1339 | 1477 | 54 | 16 | 1371 | 54 | 16 | 146 |
| NR1.20.1534.400-2PPN | 4 | 1619 | 1536 | 1532 | 1449 | 1587 | 60 | 16 | 1481 | 60 | 16 | 158 |
| NR1.20.1644.400-2PPN | 5 | 1752 | 1646 | 1642 | 1536 | 1708 | 54 | 22 | 1580 | 54 | 22 | 214 |
| NR1.20.1754.400-2PPN | 6 | 1862 | 1756 | 1752 | 1646 | 1818 | 60 | 22 | 1690 | 60 | 22 | 228 |
| NR1.20.1904.400-2PPN | 7 | 2012 | 1906 | 1902 | 1796 | 1968 | 64 | 22 | 1840 | 64 | 22 | 248 |



TANDKRANSEN ZONDER TAND SLEWING BEARINGS UNTOOTHED

Enkelrijige cilinder - standaard serie

NR1.14/25 serie

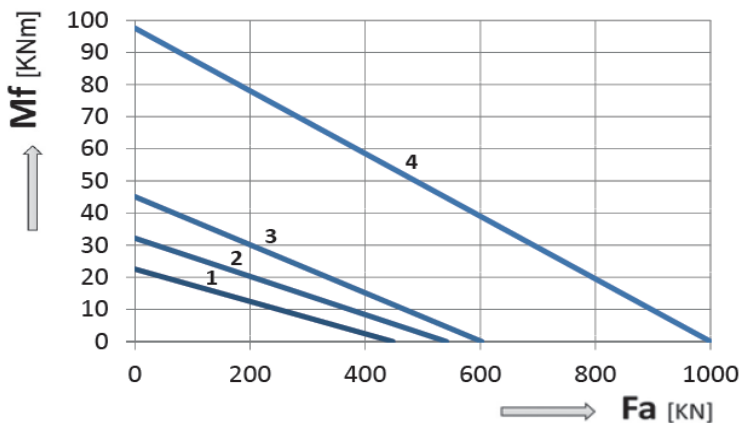


P: vulplug
G: vetnippel M8X1
Materiaal: .400=-42cRmO4 q+t / .200=c45 q+t



| Code | Curve | mm | | | | | | | | | | | mm | | | Kg | | |
|----------------------|-------|-------|---------|--------|--------|-----|----|----|-----|-----|-----|------|----|----|-----|------|----|-----|
| | | De | Dce | Dcx | Dci | Di | He | Hi | Ht | Hce | Hci | Fe | Ne | he | fi | | Ni | hi |
| NR1.14.0220.200-2PPN | 1 B | 300 | 298 h9 | - | 142 H9 | 140 | 44 | 44 | 52 | 6 | 6 | 270 | 12 | 18 | 170 | 12 | 18 | 16 |
| NR1.14.0270.200-2PPN | 2 B | 350 | 348 h9 | - | 192 H9 | 190 | 44 | 44 | 52 | 6 | 6 | 320 | 16 | 18 | 220 | 16 | 18 | 21 |
| NR1.20.0307.400-2PPN | 3 A | 403,5 | 380 f9 | 312 H9 | 235 H9 | 234 | 45 | 45 | 55 | 6 | 10 | 358 | 24 | 13 | 259 | 28-1 | 13 | 26 |
| NR1.25.0400.400-3PPN | 4 A | 500 | 495 f9 | - | 306 H9 | 305 | 63 | 63 | 75 | 8 | 8 | 466 | 30 | 18 | 336 | 30-1 | 18 | 54 |
| NR1.25.0475.400-3PPN | 5 A | 589 | 565 f9 | - | 384 H9 | 383 | 60 | 63 | 75 | 10 | 10 | 540 | 36 | 16 | 410 | 36-1 | 16 | 65 |
| NR1.25.0574.400-3PPN | 6 A | 700 | 670 f9 | - | 480 H9 | 479 | 64 | 64 | 77 | 4 | 10 | 640 | 36 | 18 | 508 | 36-1 | 18 | 90 |
| NR1.25.0675.400-3PPN | 7 A | 816 | 781 f9 | 682 H9 | 574 H9 | 573 | 73 | 70 | 90 | 8 | 10 | 753 | 18 | 22 | 604 | 18 | 22 | 135 |
| NR1.25.0823.400-3PPN | 8 A | 979 | 932 f9 | 845 H9 | 718 H9 | 717 | 79 | 82 | 100 | 14 | 10 | 893 | 36 | 22 | 753 | 36-1 | 22 | 193 |
| NR1.25.0980.400-3PPN | 9 A | 1144 | 1094 f9 | 993 H9 | 870 H9 | 869 | 79 | 84 | 100 | 12 | 10 | 1050 | 36 | 22 | 910 | 36 | 22 | 248 |

Curves 1 ~ 4



Curves 5 ~ 9

