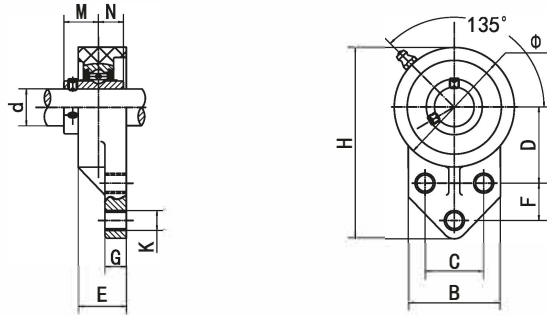


Ball Bearing Units
Thermoplastic Housed Flange Units


Unit NO.	Dimensions (mm / in.)												Max.Torque		Bearing No.	Housing No.	Weight (kg)
	d	B	C	D	E	F	G	H	I	K	M	N	Bolt D	Nm			
SS-UCFBPL204	20 3/4	62.0 2-7/16	38.1 1-1/2	42.9 1-11/16	26.5 1-3/64	22.2 7/8	11.4 29/64	108.0 4-1/4	63.5 2-1/2	10.7 27/64	18.3 0.720	12.7 0.500	M10 3/8	18	SS-UC204	FBPL204	0.25
SS-UCFBPL205	25 13/16 ; 7/8 ; 15/16 ; 1	63.5 2-1/2	41.3 1-5/8	46.0 1-13/16	34.0 1-11/32	28.6 1-1/8	11.4 29/64	120.6 4-3/4	70.0 2-3/4	10.7 27/64	19.8 0.780	14.3 0.563	M10 3/8	25	SS-UC205	FBPL205	0.30
SS-UCFBPL206	30 1-1/16 ; 1-1/8 ; 1-3/16 ; 1-1/4	76.0 3	47.6 1-7/8	52.4 2-1/16	32.0 1-17/64	31.8 1-1/4	13.3 33/64	138.5 5-29/64	83.0 3-17/64	10.7 27/64	22.2 0.874	15.9 0.626	M10 3/8	30	SS-UC206	FBPL206	0.46
SS-UCFBPL207	35 1-1/4 ; 1-5/16 ; 1-3/8 ; 1-7/16	89.0 3-1/2	50.8 2	60.3 2-3/8	36.5 1-7/16	31.8 1-1/4	16.1 41/64	157.0 6-3/16	95.0 3-47/64	13.1 33/64	25.4 1.000	17.5 0.689	M12 7/16	35	SS-UC207	FBPL207	0.66
SS-UCFBPL208	40 1-1/2 ; 1-9/16	78.0 3-5/64	50.0 1-31/32	60.0 2-23/64	36.0 1-27/64	41.0 1-39/64	16.0 5/8	164.0 6-15/32	100.0 3-15/16	13.1 33/64	30.2 1.189	19.0 0.748	M12 7/16	40	SS-UC208	FBPL208	0.78
SS-UCFBPL209	45 1-5/8 ; 1-11/16 ; 1-3/4	80.0 3-5/32	54.0 2-1/8	65.0 2-9/16	38.0 1-1/2	43.0 1-11/16	18.0 23/32	174.0 6-27/32	106.0 4-3/16	13.1 33/64	30.2 1.189	19.0 0.748	M12 7/16	45	SS-UC209	FBPL209	0.92
SS-UCFBPL210	50 1-13/16 ; 1-7/8 ; 1-15/16 ; 2	86.0 3-3/8	58.0 2-9/32	68.0 2-11/16	40.0 1-37/64	46.0 1-13/16	18.0 23/32	184.0 7-1/4	112.0 4-13/32	13.1 33/64	32.6 1.283	19.0 0.748	M12 7/16	50	SS-UC210	FBPL210	1.12
SS-UCFBPL211	55 2 ; 2-1/16 ; 2-1/8 ; 2-3/16	90.0 3-35/64	62.0 2-7/16	78.0 3-5/64	43.0 1-11/16	50.0 1-31/32	18.0 23/32	207.0 8-5/32	130.0 5-1/8	16.0 5/8	33.4 1.315	22.2 0.874	M14 1/2	55	SS-UC211	FBPL211	1.47
SS-UCFBPL212	60 2-1/4 ; 2-5/16 ; 2-3/8 ; 2-7/16	94.0 3-11/16	66.0 2-19/32	84.0 3-5/16	48.0 1-7/8	55.0 2-5/32	18.0 23/32	223.0 8-25/32	140.0 5-33/64	16.0 5/8	39.7 1.563	25.4 1.000	M14 1/2	60	SS-UC212	FBPL212	1.63