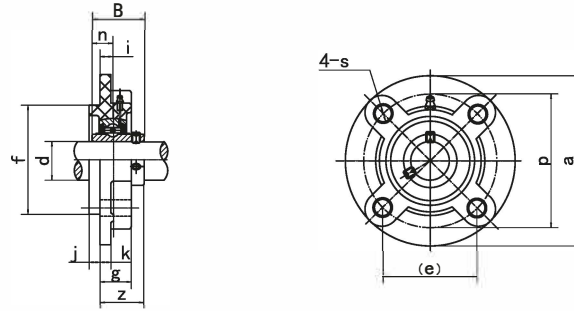


Ball Bearing Units
Thermoplastic Housed Flange Cartridge Units


Unit NO.	Dimensions (mm / in.)													Max. Torque		Bearing No.	Housing No.	Weight (kg)
	d	a	p	(e)	i	s	j	k	g	f	z	B	n	Bolt D	Nm			
SS-UCFCPL204	20 3/4	100.0 3-15/16	78.0 3-5/64	55.1 2-11/64	10.0 25/64	12.0 15/32	5.0 13/64	7.0 9/32	20.5 13/16	62.0 2-7/16	28.3 1-7/64	31.0 1.220	12.7 0.500	M10 3/8	18	SS-UC204	FCPL204	0.59
SS-UCFCPL205	25 13/16 ; 7/8 ; 15/16 ; 1	115.0 4-17/32	90.0 3-35/64	63.6 2-1/2	10.0 25/64	12.0 15/32	6.0 15/64	7.0 9/32	21.0 53/64	70.0 2-3/4	29.8 1-11/64	34.1 1.343	14.3 0.542	M10 3/8	25	SS-UC205	FCPL205	0.71
SS-UCFCPL206	30 1-1/16 ; 1-1/8 ; 1-3/16 ; 1-1/4	125.0 4-59/64	100.0 3-15/16	70.7 2-25/32	10.0 25/64	12.0 15/32	8.0 5/16	8.0 5/16	23.0 29/32	80.0 3-5/32	32.2 1-17/64	38.1 1.500	15.9 0.626	M10 3/8	30	SS-UC206	FCPL206	0.94
SS-UCFCPL207	35 1-1/4 ; 1-5/16 ; 1-3/8 ; 1-7/16	135.0 5-5/16	110.0 4-21/64	77.8 3-1/16	11.0 7/16	14.0 35/64	8.0 5/16	9.0 23/64	26.0 1-1/32	90.0 3-35/64	36.4 1-7/16	42.9 1.689	17.5 0.689	M12 7/16	35	SS-UC207	FCPL207	1.17
SS-UCFCPL208	40 1-1/2 ; 1-9/16	145.0 5-45/64	120.0 4-23/32	84.8 3-11/32	11.0 7/16	14.0 35/64	10.0 25/64	9.0 23/64	26.0 1-1/32	100.0 3-15/16	41.2 1-5/8	49.2 1.937	19.0 0.748	M12 7/16	40	SS-UC208	FCPL208	1.42
SS-UCFCPL209	45 1-5/8 ; 1-11/16 ; 1-3/4	160.0 6-19/64	132.0 5-13/64	93.3 3-43/64	10.0 25/64	16.0 5/8	12.0 15/32	14.0 35/64	26.0 1-1/32	105.0 4-9/64	40.2 1-37/64	49.2 1.937	19.0 0.748	M14 1/2	45	SS-UC209	FCPL209	1.55
SS-UCFCPL210	50 1-13/16 ; 1-7/8 ; 1-15/16 ; 2	165.0 6-1/2	138.0 5-7/16	97.6 3-27/32	10.0 25/64	16.0 5/8	12.0 15/32	14.0 35/64	28.0 1-7/64	110.0 4-21/64	42.6 1-43/64	51.6 2.031	19.0 0.748	M14 1/2	50	SS-UC210	FCPL210	1.76
SS-UCFCPL211	55 2 ; 2-1/16 ; 2-1/8 ; 2-3/16	185.0 7-9/32	150.0 5-29/32	106.1 4-11/64	13.0 33/64	19.0 3/4	12.0 15/32	15.0 19/32	31.0 1-7/32	125.0 4-59/64	46.4 1-53/64	55.6 2.189	22.2 0.874	M16 5/8	55	SS-UC211	FCPL211	2.15
SS-UCFCPL212	60 2-1/4 ; 2-5/16 ; 2-3/8 ; 2-7/16	195.0 7-43/64	160.0 6-19/64	113.1 4-29/64	17.0 43/64	19.0 3/4	12.0 15/32	15.0 19/32	36.0 1-27/64	135.0 5-5/16	56.7 2-15/64	65.1 2.563	25.4 1.000	M16 5/8	60	SS-UC212	FCPL212	2.64