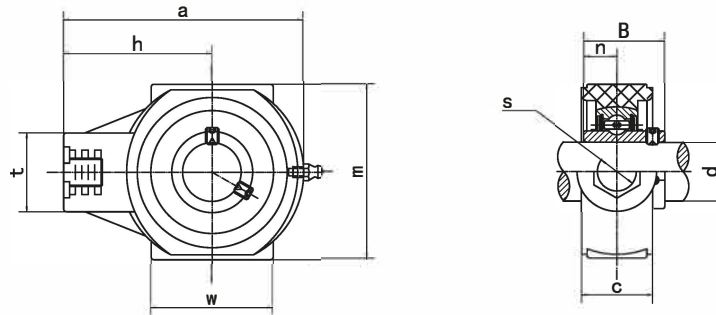
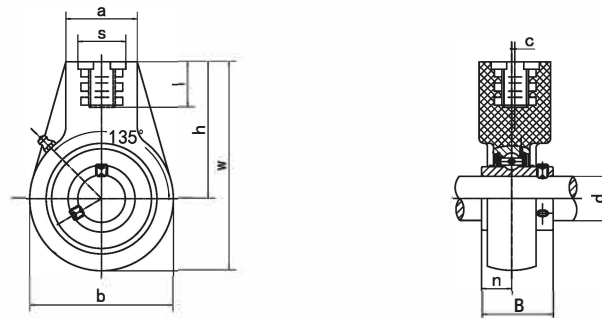


Thermoplastic Housed Screw Conveyor Hanger Units



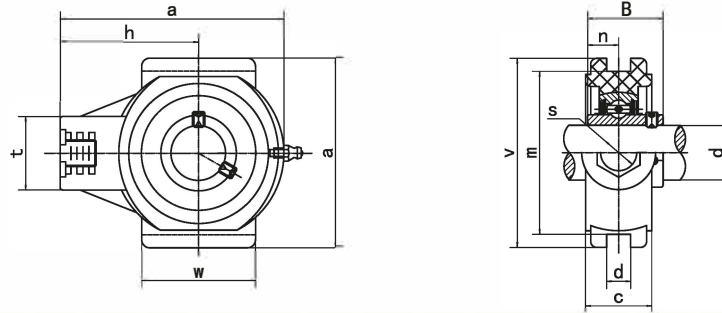
Unit NO.	Dimensions (mm / in.)										Bearing No.	Housing No.	Weight (kg)
	d	a	c	h	m	t	s	w	B	n			
SS-UCHPL204	20 3/4	99.0 3-57/64	27.5 1-5/64	63.5 2-1/2	65.0 2-9/16	36.0 1-27/64	M16	47.0 1-27/32	31.0 1.221	12.7 0.500	SS-UC204	HPL204	0.35
SS-UCHPL205	25 13/16 ; 7/8 ; 15/16 ; 1	99.0 3-57/64	27.5 1-5/64	63.5 2-1/2	74.0 2-29/32	36.0 1-27/64	M16	47.0 1-27/32	34.1 1.343	14.3 0.563	SS-UC205	HPL205	0.40
SS-UCHPL206	30 1-1/16 ; 1-1/8 ; 1-3/16 ; 1-1/4	125.0 4-59/64	34.5 1-23/64	76.0 2-63/64	90.0 3-35/64	40.0 1-37/64	M16	63.0 2-31/64	38.1 1.500	15.9 0.626	SS-UC206	HPL206	0.55
SS-UCHPL207	35 1-1/4 ; 1-5/16 ; 1-3/8 ; 1-7/16	125.0 4-59/64	34.5 1-23/64	76.0 2-63/64	90.0 3-35/64	40.0 1-37/64	M16	63.0 2-31/64	42.9 1.689	17.5 0.689	SS-UC207	HPL207	0.80
SS-UCHPL208	40 1-1/2 ; 1-9/16	140.0 5-33/64	34.5 1-23/64	85.0 3-11/32	100.0 3-15/16	40.0 1-37/64	M16	80.0 3-5/32	49.2 1.937	19.0 0.748	SS-UC208	HPL208	0.90
SS-UCHPL209	45 1-5/8 ; 1-11/16 ; 1-3/4	149.0 5-55/64	40.0 1-37/64	90.0 3-35/64	110.0 4-21/64	50.0 1-31/32	M20	85.0 3-11/32	49.2 1.937	19.0 0.748	SS-UC209	HPL209	1.10
SS-UCHPL210	50 1-13/16 ; 1-7/8 ; 1-15/16 ; 2	149.0 5-55/64	40.0 1-37/64	90.0 3-35/64	110.0 4-21/64	50.0 1-31/32	M20	85.0 3-11/32	51.6 2.032	19.0 0.748	SS-UC210	HPL210	1.20
SS-UCHPL211	55 2 ; 2-1/16 ; 2-1/8 ; 2-3/16	171.0 6-47/64	38.0 1-1/2	106.0 4-11/64	140.0 5-33/64	64.0 2-33/64	M20	95.0 3-47/64	55.6 2.189	22.2 0.874	SS-UC211	HPL211	1.40
SS-UCHPL212	60 2-1/4 ; 2-5/16 ; 2-3/8 ; 2-7/16	194.0 7-41/64	42.0 1-21/32	119.0 4-11/16	140.0 5-33/64	64.0 2-33/64	M20	102.0 4-1/64	65.1 2.563	25.4 1.000	SS-UC212	HPL212	1.52

Thermoplastic Housed Screw Conveyor Hanger Units



Unit NO.	Dimensions (mm / in.)										Bearing No.	Housing No.	Weight (kg)
	d	h	w	b	c	a	s	l	B	n			
SS-UCHAPL204	20 3/4	64.0 2-33/64	96.0 3-25/32	64.0 2-23/64	0.0	40.0 1-37/64	M16	19.0 3/4	31.0 1.221	12.7 0.500	SS-UC204	HAPL204	0.48
SS-UCHAPL205	25 13/16 ; 7/8 ; 15/16 ; 1	64.0 2-33/64	103.0 4-1/16	78.0 3-5/64	0.0	40.0 1-37/64	M20	19.0 3/4	34.1 1.343	14.3 0.563	SS-UC205	HAPL205	0.57
SS-UCHAPL206	30 1-1/16 ; 1-1/8 ; 1-3/16 ; 1-1/4	64.0 2-33/64	103.0 4-1/16	78.0 3-5/64	0.0	40.0 1-37/64	M20	19.0 3/4	38.1 1.500	15.9 0.626	SS-UC206	HAPL206	0.80
SS-UCHAPL207	35 1-1/4 ; 1-5/16 ; 1-3/8 ; 1-7/16	70.0 2-3/4	116.0 4-9/16	92.0 3-5/8	0.0	40.0 1-37/64	M20	19.0 3/4	42.9 1.689	17.5 0.689	SS-UC207	HAPL207	1.10
SS-UCHAPL208	40 1-1/2 ; 1-9/16	73.0 2-7/8	121.0 4-49/64	96.0 3-25/32	2.0 5/64	40.0 1-37/64	M20	19.0 3/4	49.2 1.937	19.0 0.748	SS-UC208	HAPL208	1.35
SS-UCHAPL209	45 1-5/8 ; 1-11/16 ; 1-3/4	82.0 3-15/64	136.0 5-23/64	108.0 4-1/4	5.0 13/64	48.0 1-57/64	M20	21.0 53/64	49.2 1.937	19.0 0.748	SS-UC209	HAPL209	1.46
SS-UCHAPL210	50 1-13/16 ; 1-7/8 ; 1-15/16 ; 2	83.0 3-17/64	142.0 5-19/32	118.0 4-41/64	5.0 13/64	48.0 1-57/64	M24	21.0 53/64	51.6 2.032	19.0 0.748	SS-UC210	HAPL210	1.67
SS-UCHAPL211	55 2 ; 2-1/16 ; 2-1/8 ; 2-3/16	87.0 3-27/64	150.0 5-29/32	126.0 4-61/64	7.0 9/32	60.0 2-23/64	M30	25.0 63/64	55.6 2.189	22.2 0.874	SS-UC211	HAPL211	2.07
SS-UCHAPL212	60 2-1/4 ; 2-5/16 ; 2-3/8 ; 2-7/16	102.0 4-1/64	173.0 6-13/16	142.0 5-19/32	9.0 23/64	60.0 2-23/64	M30	28.0 1-7/64	65.1 2.563	25.4 1.000	SS-UC212	HAPL212	2.63

Thermoplastic Housed Take-up Units



Unit NO.	Dimensions (mm / in.)												Bearing No.	Housing No.	Weight (kg)
	d	a	c	d	h	m	s	t	v	w	B	n			
SS-UCTPL204	3/4 20	99.0	27.5	12.0	64.0	76.0	M16	36.0	88.0	47.0	31.0	12.7	SS-UC204	TPL204	0.35
SS-UCTPL205	13/16 ; 7/8 ; 15/16 ; 1 25	99.0	27.5	12.0	64.0	76.0	M16	36.0	88.0	47.0	34.1	14.3	SS-UC205	TPL205	0.40
SS-UCTPL206	1-1/16 ; 1-1/8 ; 1-3/16 ; 1-1/4 30	125.0	34.5	12.0	76.0	89.0	M16	40.0	102.0	63.0	38.1	15.9	SS-UC206	TPL206	0.55
SS-UCTPL207	1-1/4 ; 1-5/16 ; 1-3/8 ; 1-7/16 35	125.0	34.5	12.0	76.0	89.0	M16	40.0	102.0	63.0	42.9	17.5	SS-UC207	TPL207	0.80
SS-UCTPL208	1-1/2 ; 1-9/16 40	140.0	34.5	16.0	85.0	102.0	M16	40.0	114.0	80.0	49.2	19.0	SS-UC208	TPL208	0.95
SS-UCTPL209	1-5/8 ; 1-11/16 ; 1-3/4 45	149.0	40.0	16.0	90.0	102.0	M20	50.0	117.0	85.0	49.2	19.0	SS-UC209	TPL209	1.10
SS-UCTPL210	1-13/16 ; 1-7/8 ; 1-15/16 ; 2 50	149.0	40.0	16.0	90.0	102.0	M20	50.0	117.0	85.0	51.6	19.0	SS-UC210	TPL210	1.25
SS-UCTPL211	2 ; 2-1/16 ; 2-1/8 ; 2-3/16 55	171.0	38.0	22.0	106.0	130.0	M20	64.0	146.0	95.0	55.6	22.2	SS-UC211	TPL211	1.62
SS-UCTPL212	2-1/4 ; 2-5/16 ; 2-3/8 ; 2-7/16 60	194.0	42.0	22.0	119.0	130.0	M20	64.0	146.0	102.0	65.1	25.4	SS-UC212	TPL212	1.78