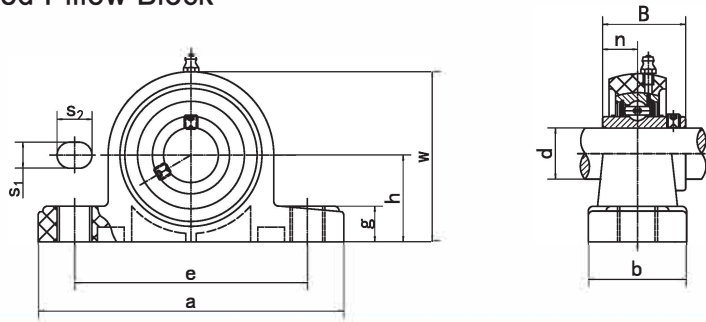


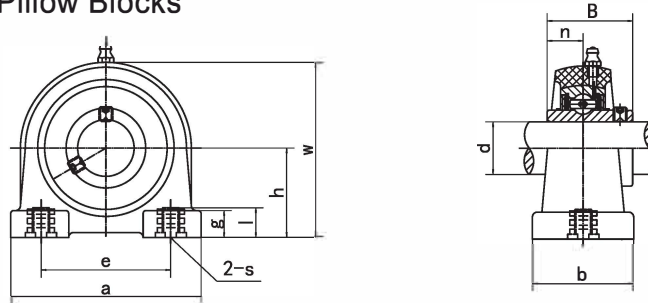
## Ball Bearing Units

### Thermoplastic Housed Pillow Block



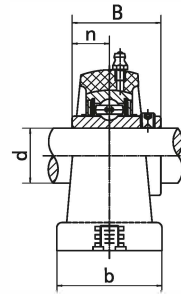
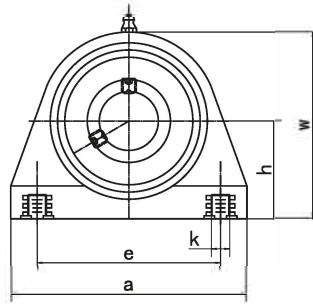
Unit NO.	Dimensions ( mm / in. )											Max.Torque		Bearing No.	Housing No.	Weight (kg)
	d	h	a	e	b	s <sub>1</sub>	s <sub>2</sub>	g	w	B	n	Bolt D	Nm			
SS-UCPPL204	20 3/4	33.3 1-5/16	127.0 5	95.0 3-3/4	38.0 1-1/2	11.0 7/16	14.0 9/16	14.2 9/16	65.5 2-9/16	31.0 1.221	12.7 0.500	M10 3/8	18	SS-UC204	PPL204	0.29
SS-UCPPL205	25 13/16 ; 7/8 ; 15/16 ; 1	36.5 1-7/16	140.5 5-17/32	105.0 4-1/8	38.0 1-1/2	11.0 7/16	14.0 9/16	14.5 19/32	71.0 2-25/32	34.0 1.343	14.3 0.563	M10 3/8	25	SS-UC205	PPL205	0.34
SS-UCPPL206	30 1-1/16 ; 1-1/8 ; 1-3/16 ; 1-1/4	42.9 1-11/16	163.0 6-27/64	119.0 4-11/16	46.0 1-13/16	14.0 9/16	18.0 45/64	17.8 45/64	84.0 3-5/16	38.1 1.500	15.9 0.626	M10 3/8	30	SS-UC206	PPL206	0.54
SS-UCPPL207	35 1-1/4 ; 1-5/16 ; 1-3/8 ; 1-7/16	47.6 1-7/8	168.0 6-39/64	127.0 5	48.0 1-7/8	14.0 9/16	18.0 45/64	18.0 45/64	94.5 3-23/32	42.9 1.689	17.5 0.689	M12 7/16	35	SS-UC207	PPL207	0.78
SS-UCPPL208	40 1-1/2 ; 1-9/16	49.2 1-15/16	184.0 7-1/4	137.0 5-13/32	54.0 2-1/8	14.0 9/16	18.0 45/64	19.5 49/64	99.0 3-57/64	49.2 1.937	19.0 0.748	M12 7/16	40	SS-UC208	PPL208	0.97
SS-UCPPL209	45 1-5/8 ; 1-11/16 ; 1-3/4	54.0 2-1/8	192.0 7-9/16	146.0 5-3/4	54.0 2-1/8	17.0 43/64	20.0 25/32	23.0 29/32	106.0 4-11/64	49.2 1.937	19.0 0.748	M16 5/8	45	SS-UC209	PPL209	1.09
SS-UCPPL210	50 1-13/16 ; 1-7/8 ; 1-5/16 ; 2	57.2 2-1/4	206.0 8-1/8	159.0 6-1/4	60.0 2-3/8	17.0 43/64	20.0 25/32	23.0 29/32	114.0 4-31/64	51.6 2.032	19.0 0.748	M16 5/8	50	SS-UC210	PPL210	1.20
SS-UCPPL211	55 2 ; 2-1/16 ; 2-1/8 ; 2-3/16	63.5 2-1/2	219.0 8-5/8	171.0 6-47/64	60.0 2-3/8	20.0 25/32	23.0 29/32	23.0 29/32	125.0 4-59/64	55.6 2.189	22.2 0.874	M16 5/8	55	SS-UC211	PPL211	1.38
SS-UCPPL212	60 2-1/4 ; 2-5/16 ; 2-3/8 ; 2-7/16	69.8 2-3/4	241.0 9-1/2	184.0 7-1/4	70.0 2-3/4	20.0 25/32	23.0 29/32	25.0 63/64	138.0 5-7/16	65.1 2.563	25.4 1.000	M16 5/8	60	SS-UC212	PPL212	1.52

### Thermoplastic Housed Pillow Blocks



Unit NO.	Dimensions ( mm / in. )											Max.Torque		Bearing No.	Housing No.	Weight (kg)
	d	h	a	e	b	s	l	g	w	B	n	Bolt D	Nm			
SS-UCPAPL204	20 3/4	30.2 1-3/16	76.0 3	52.0 2-3/64	40.0 1-9/16	M8	15.0 19/32	11.0 7/16	62.0 2-7/16	31.0 1.221	12.7 0.500	M8	18	SS-UC204	PAPL204	0.55
SS-UCPAPL205	25 13/16 ; 7/8 ; 15/16 ; 1	36.5 1-7/16	84.0 3-5/16	56.0 2-13/64	38.0 1-1/2	M10	15.0 19/32	12.0 15/32	72.0 2-53/64	34.1 1.343	14.3 0.563	M10	25	SS-UC205	PAPL205	0.61
SS-UCPAPL206	30 1-1/16 ; 1-1/8 ; 1-3/16 ; 1-1/4	42.9 1-11/16	94.0 3-45/64	66.0 2-19/32	50.0 1-31/32	M10	18.0 45/64	12.0 15/32	84.0 3-5/16	38.1 1.500	15.9 0.626	M10	30	SS-UC206	PAPL206	0.89
SS-UCPAPL207	35 1-1/4 ; 1-5/16 ; 1-3/8 ; 1-7/16	47.6 1-7/8	110.0 4-21/64	80.0 3-5/32	55.0 2-11/64	M10	20.0 25/32	13.0 33/64	95.0 3-47/64	42.9 1.689	17.5 0.689	M10	35	SS-UC207	PAPL207	1.31
SS-UCPAPL208	40 1-1/2 ; 1-9/16	49.2 1-15/16	116.0 4-9/16	84.0 3-5/16	58.0 2-9/32	M12	20.0 25/32	13.0 33/64	100.0 3-15/16	49.2 1.937	19.0 0.748	M12	40	SS-UC208	PAPL208	1.56
SS-UCPAPL209	45 1-5/8 ; 1-11/16 ; 1-3/4	54.2 2-9/64	120.0 4-23/32	90.0 3-35/64	60.0 2-23/64	M12	25.0 63/64	13.0 33/64	108.0 4-1/4	49.2 1.937	19.0 0.748	M12	45	SS-UC209	PAPL209	1.70
SS-UCPAPL210	50 1-13/16 ; 1-7/8 ; 1-15/16 ; 2	57.2 2-1/4	130.0 5-1/8	94.0 3-45/64	64.0 2-33/64	M16	25.0 63/64	14.0 35/64	116.0 4-9/16	51.6 2.032	19.0 0.748	M16	50	SS-UC210	PAPL210	1.93
SS-UCPAPL211	55 2 ; 2-1/16 ; 2-1/8 ; 2-3/16	63.5 2-1/2	140.0 5-33/64	104.0 4-3/32	66.0 2-19/32	M16	25.0 63/64	14.0 35/64	125.0 4-59/64	55.6 2.189	22.2 0.874	M16	55	SS-UC211	PAPL211	2.33
SS-UCPAPL212	60 2-1/4 ; 2-5/16 ; 2-3/8 ; 2-7/16	69.9 2-3/4	150.0 5-29/32	114.0 4-31/64	68.0 2-43/64	M16	25.0 63/64	15.0 19/32	138.0 5-7/16	65.1 2.563	25.4 1.000	M16	60	SS-UC212	PAPL212	2.90

Thermoplastic Housed Tap-Base Units



Unit NO.	Dimensions ( mm / in. )										Max.Torque		Bearing No.	Housing No.	Weight (kg)
	d	a	e	b	h	w	k	B	n	Bolt D	Nm				
SS-UCTBPL204	20 3/4	72.8 2-55/64	50.8 2	34.5 1-23/64	33.3 1-5/16	66.0 2-19/32	M8	31.0 1.221	12.7 0.500	M8	18	SS-UC204	TBPL204	0.35	
SS-UCTBPL205	25 13/16 ; 7/8 ; 15/16 ; 1	76.2 3	50.8 2	39.5 1-9/16	36.5 1-7/16	73.5 2-57/64	M10	34.1 1.343	14.3 0.563	M10	25	SS-UC205	TBPL205	0.40	
SS-UCTBPL206	30 1-1/16 ; 1-1/8 ; 1-3/16 ; 1-1/4	101.0 3-31/32	76.2 3	42.5 1-43/64	42.9 1-11/16	84.0 3-5/16	M10	38.1 1.500	15.9 0.626	M10	30	SS-UC206	TBPL206	0.55	
SS-UCTBPL207	35 1-1/4 ; 1-5/16 ; 1-3/8 ; 1-7/16	110.0 4-21/64	82.6 3-1/4	47.5 1-7/8	47.6 1-7/8	95.0 3-47/64	M10	42.9 1.689	17.5 0.689	M10	35	SS-UC207	TBPL207	0.80	
SS-UCTBPL208	40 1-1/2 ; 1-9/16	120.0 4-23/32	88.9 3-1/2	48.0 1-57/64	49.2 1-15/16	100.5 3-61/64	M12	49.2 1.937	19.0 0.748	M12	45	SS-UC208	TBPL208	0.95	
SS-UCTBPL209	45 1-5/8 ; 1-11/16 ; 1-3/4	124.0 4-7/8	95.3 3-3/4	50.0 1-31/32	54.0 2-1/8	108.5 4-9/32	M12	49.2 1.937	19.0 0.748	M12	50	SS-UC209	TBPL209	1.10	
SS-UCTBPL210	50 1-13/16 ; 1-7/8 ; 1-15/16 ; 2	135.0 5-5/16	101.6 4	54.0 2-1/8	57.2 2-1/4	115.0 4-17/32	M16	51.6 2.032	19.0 0.748	M16	55	SS-UC210	TBPL210	1.25	
SS-UCTBPL211	55 2 ; 2-1/16 ; 2-1/8 ; 2-3/16	140.0 5-33/64	104.0 4-3/32	66.0 2-19/32	63.5 2-1/2	125.0 4-59/64	M20	55.6 2.189	22.2 0.874	M20	60	SS-UC211	TBPL211	1.43	
SS-UCTBPL212	60 2-1/4 ; 2-5/16 ; 2-3/8 ; 2-7/16	150.0 5-29/32	114.0 4-31/64	68.0 2-43/64	69.9 2-3/4	138.0 5-7/16	M20	65.1 2.563	25.4 1.000	M20	65	SS-UC212	TBPL212	1.58	