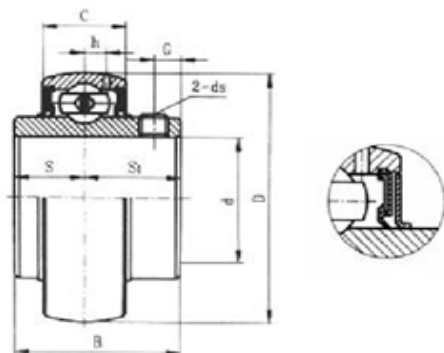


UC insert in chroomstaal
 SSUC, RVS insert



Bearing No.	Dimensions mm									Basic Load Rating kg		
	d	D	B	C	s	s1	G	ds	h	Dynamic C	Static Co	Weight kg
UC 201	12	47	31	17	12.7	18.3	4.5	M6x0.75	4.5	1310	630	0.21
UC 202	15	47	31	17	12.7	18.3	4.5	M6x0.75	4.5	1310	630	0.19
UC 203	17	47	31	17	12.7	18.3	4.5	M6x0.75	4.5	1310	630	0.18
UC 204	20	47	31	17	12.7	18.3	4.5	M6x0.75	4.5	1310	630	0.16
UC 205	25	52	34	17	14.3	19.7	5	M6x0.75	4.5	1430	710	0.19
UC 206	30	62	38.1	19	15.9	22.2	5	M6x0.75	5.1	2000	1020	0.31
UC 207	35	72	42.9	20	17.5	25.4	6	M8x1	5.8	2640	1400	0.48
UC 208	40	80	49.2	21	19	30.2	8	M8x1	6.2	2990	1600	0.62
UC 209	45	85	49.2	22	19	30.2	8	M8x1	6.5	3350	1810	0.67
UC 210	50	90	51.6	23	19	32.6	9	M10x1.25	6.5	3600	2010	0.78
UC 211	55	100	55.6	24	22.2	33.4	9	M10x1.25	7.3	4400	2550	1.03
UC 212	60	110	65.1	26	25.4	39.7	10	M10x1.25	7.7	5350	3150	1.45
UC 213	65	120	65.1	27	25.4	39.7	10	M10x1.25	8.3	5850	3500	1.71
UC 214	70	125	74.6	29	30.2	44.4	12	M12x1.5	8.7	6350	3800	2.06
UC 215	75	130	77.8	30	33.3	44.5	14	M12x1.5	9.2	6750	4200	2.22
UC 216	80	140	82.6	32	33.3	49.3	14	M12x1.5	9.6	7400	4550	2.82
UC 217	85	150	85.7	34	34.1	51.6	14	M12x1.5	10.5	8500	5500	3.38
UC 218	90	160	96	36	39.7	56.3	15	M12x1.5	11.1	9750	6300	4.34

RVS lagers kunnen 20 tot 25% minder gewicht hebben

