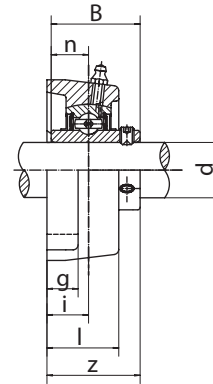
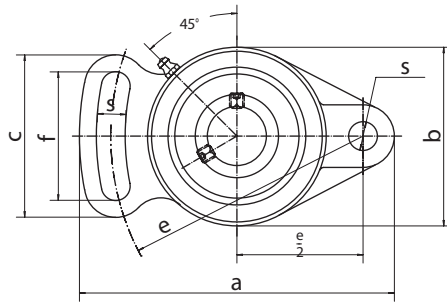


UCFA2 (Normal-duty)

Flange Units



Unit NO.	Dimensions (mm / in.)													Bolt Size mm/in.	Bearing No.	Housin g No.	Weight (kg)			
	d	a	e	i	g	l	s	b	z	f	c	B	n							
UCFA 201 201-8	12 1/2	98	78	15	12	25.5	10	60	33.3	40	50	31	12.7	M8	UC201 UC201-8	FA201	0.46 0.45			
UCFA 202 202-9 202-10	15 9/16 5/8	3-55/64	3-5/64	19/32	15/32	1	25/64	2-3/8	1-5/16	1-37/64	1-31/32	1.2205	0.500		5/16		UC202 UC202-9 UC202-10	FA202	0.45 0.45 0.45	
UCFA 203 203-11	17 11/16															UC203 UC203-11	FA203		0.44 0.43	
UCFA 204 204-12	20 3/4															UC204 UC204-12		FA204	0.42 0.42	
UCFA 205 205-13 205-14 205-15 205-16	25 13/16 7/8 15/16 1													124		98	16	14	27	13
UCFA 206 206-17 206-18 206-19 206-20	30 1-1/16 1-1/8 1-3/16 1-1/4	141	115	18	14	31	13	83	40.2	58	72	38.1	15.9	M10	UC206 UC206-17 UC206-18 UC206-19 UC206-20	FA206	0.95 0.98 0.97 0.95 0.94			
UCFA 207 207-20 207-21 207-22 207-23	35 1-1/4 1-5/16 1-3/8 1-7/16	155	128	19	16	34	15	96	44.4	66	82	42.9	17.5	M12	UC207 UC207-20 UC207-21 UC207-22 UC207-23		FA207	1.33 1.40 1.37 1.34 1.31		
UCFA 208 208-24 208-25	40 1-1/2 1-9/16	171	142	21	16	38	15	105	51.2	71	87	49.2	19	M12	UC208 UC208-24 UC208-25			FA208	1.73 1.77 1.74	
UCFA 209 209-26 209-27 209-28	45 1-5/8 1-11/16 1-3/4	179	146	22	18	40	17	111	52.2	72	90	49.2	19	M14	UC209 UC209-26 UC209-27 UC209-28				FA209	1.98 2.08 2.04 2.00
UCFA 210 210-29 210-30 210-31 210-32	50 1-13/16 1-7/8 1-15/16 2	189	155	22	18	40	17	116	54.6	76	94	51.6	19	M14	UC210 UC210-29 UC210-30 UC210-31 UC210-32					FA210
UCFA 211 211-32 211-33 211-34 211-35	55 2 2-1/16 2-1/8 2-3/16	216	182	25	20	44	17	133	58.4	86	104	55.6	22.2	M14	UC211 UC211-32 UC211-33 UC211-34 UC211-35	FA211		3.11 3.26 3.20 3.16 3.09		
UCFA 212 212-36 212-37 212-38 212-39	60 2-1/4 2-5/16 2-3/8 2-7/16	240	202	29	20	48	19	140	68.7	100	118	65.1	25.4	M16	UC212 UC212-36 UC212-37 UC212-38 UC212-39		FA212	3.76 3.89 3.81 3.74 3.67		
UCFA 213 213-40 213-41	65 2-1/2 2-9/16	250	210	30	20	50	19	155	69.7	102	122	65.1	25.4	M16	UC213 UC213-40 UC213-41			FA213	4.70 4.79 4.70	