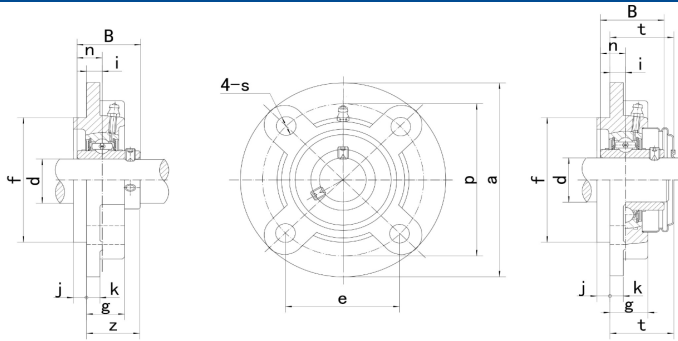


VIERPUNTS FLENSLAGERBLOKKEN ROND FOUR BOLT FLANGE CARTRIDGE UNITS ROUND

Gegoten lagerblokken / UCFC201 - UCFC218

UCFC

- * 234... FK
- * 230... FK alternatief
- * 231... FK met kap
- * 235... FK met kap alternatief
- * 200... Neutraal



Type	Code*	Afmetingen (mm / in.)														Bout mm/in.	Lagertype	Huis	Gewicht (kg)
		d	a	p	(e)	i	s	j	k	g	f	z	t	B	n				
UCFC201 201-8	234201010 -	12 1/2	100 3-15/16	78 3-5/64	55,1 2-11/64	10 25/64	12 15/32	5 13/64	7 9/32	20,5 13/16	62 2.4409	28,3 1-1/8	32,5 1-9/32	31,0 1.2205	12,7 0.500	M10 3/8	UC201 UC201-8	FC204	0,70 0,69
UCFC202 202-9 202-10	234202010 - -	15 9/16 5/8	100 3-15/16	78 3-5/64	55,1 2-11/64	10 25/64	12 15/32	5 13/64	7 9/32	20,5 13/16	62 2.4409	28,3 1-1/8	32,5 1-9/32	31,0 1.2205	12,7 0.500	M10 3/8	UC202 UC202-9 UC202-10	FC204	0,69 0,69 0,69
UCFC203 203-11	234203010 -	17 11/16	100 3-15/16	78 3-5/64	55,1 2-11/64	10 25/64	12 15/32	5 13/64	7 9/32	20,5 13/16	62 2.4409	28,3 1-1/8	32,5 1-9/32	31,0 1.2205	12,7 0.500	M10 3/8	UC203 UC203-11	FC204	0,68 0,67
UCFC204 204-12	234204010 -	20 3/4	100 3-15/16	78 3-5/64	55,1 2-11/64	10 25/64	12 15/32	5 13/64	7 9/32	20,5 13/16	62 2.4409	28,3 1-1/8	32,5 1-9/32	31,0 1.2205	12,7 0.500	M10 3/8	UC204 UC204-12	FC204	0,66 0,66
UCFC205 205-13 205-14 205-15 205-16	234205010 - - - -	25 13/16 7/8 15/16 1	115 4-17/32	90 3-35/64	63,6 2-1/2	10 25/64	12 15/32	6 15/64	7 9/32	21 53/64	70 2.7559	29,8 1-11/64	34,0 1-11/32	34,1 1.3425	14,3 0.563	M10 3/8	UC205 UC205-13 UC205-14 UC205-15 UC205-16	FC205	0,89 0,92 0,91 0,89 0,88
UCFC206 206-17 206-18 206-19 206-20	234206010 - - - -	30 1-1/16 1-1/8 1-3/16 1-1/4	125 4-59/64	100 3-15/16	70,7 2-25/32	10 25/64	12 15/32	8 5/16	8 5/16	23 29/32	80 3.1496	32,2 1-17/64	36,5 1-7/16	38,1 1.5000	15,9 0.626	M10 3/8	UC206 UC206-17 UC206-18 UC206-19 UC206-20	FC206	1,18 1,19 1,20 1,18 1,17
UCFC207 207-20 207-21 207-22 207-23	234207010 - - - -	35 1-1/4 1-5/16 1-3/8 1-7/16	135 5-5/16	110 4-21/64	77,8 3-1/16	11 7/16	14 35/64	10 5/16	9 23/64	26 1-1/32	90 3.5433	36,4 1-7/16	41,0 1-5/8	42,9 1.6890	17,5 0.689	M12 7/16	UC207 UC207-20 UC207-21 UC207-22 UC207-23	FC207	1,53 1,59 1,56 1,53 1,50
UCFC208 208-24 208-25	234208010 - -	40 1-1/2 1-9/16	145 5-45/64	120 4-23/32	84,8 3-11/32	11 7/16	14 35/64	10 25/64	9 23/64	26 1-1/32	100 3.9370	41,2 1-5/8	45,5 1-51/64	49,2 1.9370	19,0 0.748	M12 7/16	UC208 UC208-24 UC208-25	FC208	1,85 1,89 1,86
UCFC209 209-26 209-27 209-28	234209010 - - -	45 1-5/8 1-11/16 1-3/4	160 6-19/64	132 5-13/64	93,3 3-43/64	10 25/64	16 5/8	12 15/32	14 35/64	26 1-1/32	105 4.1339	40,2 1-37/64	44,5 1-3/4	49,2 1.9370	19,0 0.748	M14 1/2	UC209 UC209-26 UC209-27 UC209-28	FC209	2,53 2,63 2,59 2,55
UCFC210 210-29 210-30 210-31 210-32	234210010 - - - -	50 1-13/16 1-7/8 1-15/16 2	165 6-1/2	138 5-7/16	97,6 3-27/32	10 25/64	16 5/8	12 15/32	14 35/64	28 1-7/64	110 4.3307	42,6 1-11/16	47,5 1-7/8	51,6 2.0315	19,0 0.748	M14 1/2	UC210 UC210-29 UC210-30 UC210-31 UC210-32	FC210	2,78 2,90 2,85 2,80 2,76
UCFC211 211-32 211-33 211-34 211-35	234211010 - - - -	55 2 2-1/16 2-1/8 2-3/16	185 7-9/32	150 5-29/32	106,1 4-3/16	13 33/64	19 3/4	12 15/32	15 19/32	31 1-7/32	125 4.9213	46,4 1-53/64	51,0 2-1/64	55,6 2.1890	22,2 0.874	M16 5/8	UC211 UC211-32 UC211-33 UC211-34 UC211-35	FC211	3,86 4,01 3,95 3,91 3,84
UCFC212 212-36 212-37 212-38 212-39	234212010 - - - -	60 2-1/4 2-5/16 2-3/8 2-7/16	195 7-11/16	160 6-19/64	113,1 4-29/64	17 43/64	19 3/4	12 15/32	15 19/32	36 1-27/64	135 5.3150	56,7 2-15/64	61,5 2-27/64	65,1 2.5630	25,4 1.000	M16 5/8	UC212 UC212-36 UC212-37 UC212-38 UC212-39	FC212	4,69 4,82 4,74 4,67 4,60
UCFC213 213-40 213-41	234213010 - -	65 2-1/2 2-9/16	205 8-5/64	170 6-11/16	120,2 4-47/64	16 5/8	19 3/4	14 35/64	15 19/32	36 1-27/64	145 5.5118	55,7 2-3/16	60,5 2-25/64	65,1 2.5630	25,4 1.000	M16 5/8	UC213 UC213-40 UC213-41	FC213	5,30 5,39 5,30
UCFC214 214-42 214-43 214-44	234214010 - - -	70 2-5/8 2-11/16 2-3/4	215 8-15/32	177 6-31/32	125,1 4-59/64	17 43/64	19 3/4	14 35/64	18 23/32	40 1-37/64	150 5.9055	61,4 2-13/32	67,5 2-21/32	74,6 2.9370	30,2 1.189	M16 5/8	UC214 UC214-42 UC214-43 UC214-44	FC214	6,46 6,67 6,57 6,47
UCFC215 215-45 215-46 215-47 215-48	234215010 - - - -	75 2-13/16 2-7/8 2-15/16 3	220 8-21/32	184 7-1/4	130,1 5-1/8	18 23/32	19 3/4	16 5/8	18 23/32	40 1-37/64	160 6.2992	62,5 2-15/32	67,5 2-21/32	77,8 3.0630	33,3 1.311	M16 5/8	UC215 UC215-45 UC215-46 UC215-47 UC215-48	FC215	6,86 6,86 7,11 7,00 6,80
UCFC216 216-49 216-50 216-51	234216010 - - -	80 3-1/16 3-1/8 3-3/16	240 9-29/64	200 7-7/8	141,4 5-9/16	18 23/32	23 29/32	16 5/8	18 23/32	42 1-21/32	170 6.6929	67,3 2-21/32	72,5 2-55/64	82,6 3.2520	33,3 1.311	M20 3/4	UC216 UC216-49 UC216-50 UC216-51	FC216	8,47 8,65 8,52 8,39
UCFC217 217-52 217-53 217-55	234217010 - - -	85 3-1/4 3-5/16 3-7/16	250 9-27/32	208 8-3/16	147,1 5-51/64	18 23/32	23 29/32	18 23/32	20 25/32	45 1-25/32	180 7.0866	69,6 2-3/4	74,6 2-15/16	85,7 3.3740	34,1 1.343	M20 3/4	UC217 UC217-52 UC217-53 UC217-55	FC217	10,18 10,30 10,26 9,97
UCFC218 218-56	234218010 -	90 3-1/2	265 10-7/16	220 8-21/32	155,5 6-1/8	22 55/64	23 29/32	18 23/32	20 25/32	50 1-31/32	190 7.4803	78,3 3-3/32	83,5 3-9/32	96,0 3.7795	39,7 1.5630	M20 3/4	UC218 UC218-56	FC218	12,24 12,35