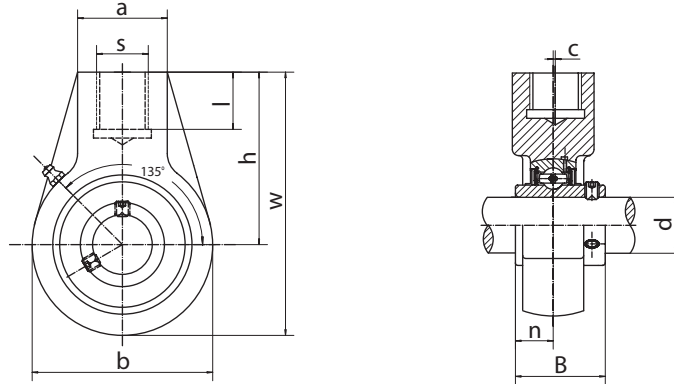


UCHA2 (Normal-duty)

Screw Conveyor Hanger Units



Unit NO.	Dimensions (mm / in.)										Bearing No.	Housing No.	Weight (kg)
	d	h	w	b	c	a	s	l	B	n			
UCHA 201 201-8	12 1/2	64	96	64	0	40	s	19.0	31.0	12.7	UC201	HA201	0.64
UCHA 202 202-9 202-10	15 9/16 5/8										UC201-8		0.63
UCHA 203 203-11	17 11/16										UC202		0.63
UC HA 204 204-12	20 3/4										UC202-9 UC202-10		0.63 0.63
UCHA 205 205-13 205-14 205-15 205-16	25 13/16 7/8 15/16 1	2-33/64	3-25/32	2-33/64	0	1-37/64	G-3/4	3/4	1.2205	0.500	UC203 UC203-11	HA203	0.62 0.61
UCHA 204	20										UC204 UC204-12	HA204	0.60 0.60
UCHA 205	25	64	103	78	0	40		19.0	34.1	14.3	UC205	HA205	0.79
UCHA 206	30	64	103	78	0	40		19.0	38.1	15.9	UC205-13		0.83
UCHA 207	35	70	116	92	0	40		19.0	42.9	17.5	UC205-14		0.82
UCHA 208	40	73	121	96	2.0	40		19.0	49.2	19.0	UC205-15		0.80
UCHA 209	45	82	136	108	5.0	48		19.0	49.2	19.0	UC205-16		0.79
UCHA 206	1-1/16 1-1/8 1-3/16 1-1/4	2-33/64	4-1/16	3-5/64	0	1-37/64	G-3/4	3/4	1.5000	0.626	UC206 UC206-17 UC206-18 UC206-19 UC206-20	HA206	0.78 0.79 0.80 0.78 0.77
UCHA 207	1-1/4 1-5/16 1-3/8 1-7/16	2-3/4	4-9/16	3-5/8	0	1-37/64	G-3/4	3/4	1.6890	0.689	UC207 UC207-20 UC207-21 UC207-22 UC207-23	HA207	1.10 1.16 1.13 1.10 1.07
UCHA 208	1-1/2 1-9/16	2-7/8	4-49/64	3-25/32	5-64	1-37/64	G-3/4	3/4	1.9370	0.748	UC208 UC208-24 UC208-25	HA208	1.22 1.26 1.23
UCHA 209	1-5/8 1-11/16 1-3/4	3-15/64	5-23/64	4-1/4	13/64	1-57/64	G1	53/64	1.9370	0.748	UC209 UC209-26 UC209-27 UC209-28	HA209	1.71 1.81 1.77 1.73
UCHA 210	1-13/16 1-7/8 1-15/16 2	3-17/64	5-19/32	4-41/64	13/64	1-57/64	G1	53/64	2.0315	0.748	UC210 UC210-29 UC210-30 UC210-31 UC210-32	HA210	2.04 2.16 2.11 2.06 2.02
UCHA 211	2 2-1/16 2-1/8 2-3/16	3-27/64	5-29/32	4-61/64	9/32	2-23/64	G1-1/4	63/64	2.1890	0.874	UC211 UC211-32 UC211-33 UC211-34 UC211-35	HA211	2.45 2.60 2.54 2.50 2.43
UCHA 212	2-1/4 2-5/16 2-3/8 2-7/16	4-1/64	6-13/16	5-19/32	23/64	2-23/64	G1-1/4	1-7/64	2.5630	1.000	UC212 UC212-36 UC212-37 UC212-38 UC212-39	HA212	3.56 3.69 3.61 3.54 3.47
UCHA 213	2-1/2 2-9/16	4-39/64	7-7/8	6-17/32	3/8	2-3/4	G1-1/2	1-17/64	2.5630	1.000	UC213 UC213-40 UC213-41	HA213	5.44 5.53 5.44
UCHA 214	2-5/8 2-11/16 2-3/4	4-39/64	7-7/8	6-17/32	3/8	2-3/4	G1-1/2	1-17/64	2.9370	1.189	UC214 UC214-42 UC214-43 UC214-44	HA214	5.46 5.67 5.57 5.47
UCHA 215	2-13/16 2-7/8 2-15/16 3	4-39/64	7-7/8	6-17/32	3/8	2-3/4	G1-1/2	1-17/64	3.0630	1.311	UC215 UC215-45 UC215-46 UC215-47 UC215-48	HA215	5.41 5.41 5.66 5.55 5.35