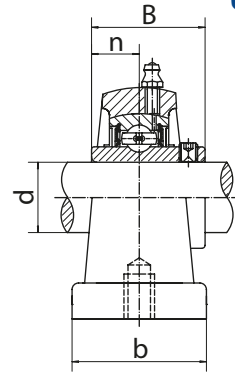
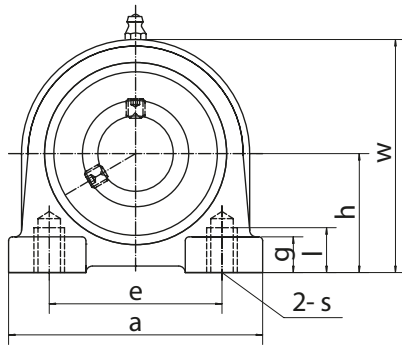


Pillow Blocks
UCPA2 (Normal-duty)


Unit NO.	Dimensions (mm / in.)											Bolt Size mm/in.	Bearing No.	Housing No.	Weight (kg)
	d	h	a	e	b	s	g	l	w	B	n				
UCPA201 201-8	12 1/2	30.2 1-3/16	76 3	52 2-3/64	40 1-9/16	M10	11 7/16	15 19/32	62 2-7/16	31 1.2205	12.7 0.500	M10	UC201	PA201	0.63
UCPA202 202-9 202-10	15 9/16 5/8												UC202		0.62
UCPA203 203-11	17 11/16												UC203		0.61
UCPA204 204-12	20 3/4												UC204		0.59
UCPA205 205-13 205-14 205-15 205-16	25 13/16 7/8 15/16 1	36.5 1-7/16	84 3-5/16	56 2-13/64	38 1-1/2	M10	12 15/32	15 19/32	72 2-53/64	34.1 1.3425	14.3 0.563	M10	UC205	PA205	0.76
UCPA206 206-17 206-18 206-19 206-20	30 1-1/16 1-1/8 1-3/16 1-1/4												UC206		1.12
UCPA207 207-20 207-21 207-22 207-23	35 1-1/4 1-5/16 1-3/8 1-7/16												UC207		1.55
UCPA208 208-24 208-25	40 1-1/2 1-9/16												UC208		1.80
UCPA209 209-26 209-27 209-28	45 1-5/8 1-11/16 1-3/4	54.2 2-9/64	120 4-23/32	90 3-35/64	60 2-23/64	M14	13 33/64	25 63/64	108 4-1/4	49.2 1.9370	19 0.748	M14	UC209	PA209	2.05
UCPA210 210-29 210-30 210-31 210-32	50 1-13/16 1-7/8 1-15/16 2												UC210		2.56
UCPA211 211-32 211-33 211-34 211-35	55 2 2-1/16 2-1/8 2-3/16												UC211		3.14
UCPA212 212-36 212-37 212-38 212-39	60 2-1/4 2-5/16 2-3/8 2-7/16												UC212		4.12
UCPA213 213-40 213-41	65 2-1/2 2-9/16	76.2 3	160 6-19/64	124 4-7/8	70 2-3/4	M16	15 19/32	25 63/64	150 5-29/32	65.1 2.5630	25.4 1.000	M16	UC213	PA213	4.92
													UC213-40		5.01
													UC213-41		4.92