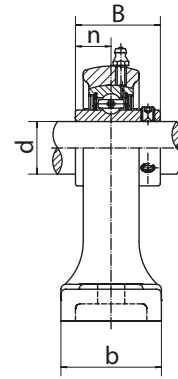
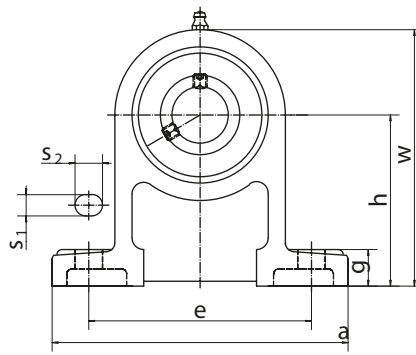


UCPH2 (Normal-duty)

Pillow Blocks
(with setscrews)



Unit NO.	Dimensions (mm / in.)											Bolt Size mm/in.	Bearing No.	Housing No.	Weight (kg)
	d	h	a	e	b	s1	s2	g	w	B	n				
UCPH201 201-8	12 1/2	70 2-3/4	127 5	95 3-3/4	40 1-9/16	13 1/2	19 3/4	15 19/32	101 3-63/64	31 1.2205	12.7 0.500	M10 3/8	UC201 UC201-8	PH201	0.84 0.83
UCPH202 202-9 202-10	15 9/16 5/8	70 2-3/4	127 5	95 3-3/4	40 1-9/16	13 1/2	19 3/4	15 19/32	101 3-63/64	31 1.2205	12.7 0.500	M10 3/8	UC202 UC202-9 UC202-10	PH202	0.83 0.83 0.83
UCPH203 203-11	17 11/16	70 2-3/4	127 5	95 3-3/4	40 1-9/16	13 1/2	19 3/4	15 19/32	101 3-63/64	31 1.2205	12.7 0.500	M10 3/8	UC203 UC203-11	PH203	0.82 0.81
UCPH204 204-12	20 3/4	70 2-3/4	127 5	95 3-3/4	40 1-9/16	13 1/2	19 3/4	15 19/32	101 3-63/64	31 1.2205	12.7 0.500	M10 3/8	UC204 UC204-12	PH204	0.80 0.80
UCPH205 205-13 205-14 205-15 205-16	25 13/16 7/8 15/16 1	80 3-5/32	140 5-1/2	105 4-1/8	50 1-31/32	13 1/2	19 3/4	16 5/8	114 4-31/64	34.1 1.3425	14.3 0.563	M10 3/8	UC205 UC205-13 UC205-14 UC205-15 UC205-16	PH205	1.04 1.08 1.07 1.05 1.04
UCPH206 206-17 206-18 206-19 206-20	30 1-1/16 1-1/8 1-3/16 1-1/4	90 3-35/64	161 6-11/32	121 4-3/4	50 1-31/32	17 43/64	21 53/64	17 43/64	130 5-1/8	38.1 1.5000	15.9 0.626	M14 1/2	UC206 UC206-17 UC206-18 UC206-19 UC206-20	PH206	1.45 1.46 1.47 1.45 1.44
UCPH207 207-20 207-21 207-22 207-23	35 1-1/4 1-5/16 1/3/8 1-7/16	95 3-47/64	166 6-17/32	127 5	60 2-23/64	17 43/64	21 53/64	18 45/64	140 5-33/64	42.9 1.6890	17.5 0.689	M14 1/2	UC207 UC207-20 UC207-21 UC207-22 UC207-23	PH207	1.83 1.89 1.86 1.83 1.80
UCPH208 208-24 208-25	40 1-1/2 1-9/16	100 3-15/16	178 7-1/64	137 5-13/32	70 2-3/4	17 43/64	21 53/64	19 3/4	150 5-29/32	49.2 1.9370	19 0.748	M14 1/2	UC208 UC208-24 UC208-25	PH208	2.40 2.44 2.41
UCPH209 209-26 209-27 209-28	45 1-5/8 1-11/16 1-3/4	105 4-9/64	189 7-7/16	146 5-3/4	70 2-3/4	17 43/64	21 53/64	20 25/32	158 6-7/32	49.2 1.9370	19 0.748	M14 1/2	UC209 UC209-26 UC209-27 UC209-28	PH209	2.67 2.77 2.37 2.69
UCPH210 210-29 210-30 210-31 210-32	50 1-13/16 1-7/8 1-15/16 2	110 4-21/64	205 8-5/64	159 6-1/4	70 2-3/4	20 25/32	23 29/32	21 53/64	165 6-1/2	51.6 2.0315	19 0.748	M16 5/8	UC210 UC210-29 UC210-30 UC210-31 UC210-32	PH210	2.97 3.09 3.04 2.99 2.95
UCPH211 211-32 211-33 211-34 211-35	55 2 2-1/16 2-1/8 2-3/16	120 4-23/32	219 8-5/8	171 6-47/64	75 2-61/64	20 25/32	23 29/32	22 55/64	181 7-1/8	55.6 2.1890	22.2 0.874	M16 5/8	UC211 UC211-32 UC211-33 UC211-34 UC211-35	PH211	3.82 3.97 3.87 3.91 3.80
UCPH212 212-36 212-37 212-38 212-39	60 2-1/4 2-5/16 2-3/8 2-7/16	130 5-1/8	241 9-1/2	184 7-1/4	85 3-11/32	20 25/32	23 29/32	25 63/64	197 7-3/4	65.1 2.5630	25.4 1.000	M16 5/8	UC212 UC212-36 UC212-37 UC212-38 UC212-39	PH212	5.01 5.14 5.06 4.99 4.92
UCPH213 213-40 213-41	65 2-1/2 2-9/16	140 5-33/64	265 10-7/16	203 8	95 3-3/4	25 63/64	28 1-3/32	27 1-1/16	212 8-11/32	65.1 2.5630	25.4 1.000	M20 3/4	UC213 UC213-40 UC213-41	PH213	6.11 6.20 6.11
UCPH214 214-42 214-43 214-44	70 2-5/8 2-11/16 2-3/4	150 5-29/32	266 10-15/32	210 8-17/64	105 5-9/64	25 63/64	28 1-3/32	28 1-7/64	225 8-55/64	74.6 2.9370	30.2 1.189	M20 3/4	UC214 UC214-42 UC214-43 UC214-44	PH214	7.06 7.27 7.17 7.07
UCPH215 215-45 215-46 215-47 215-48	75 2-13/16 2-7/8 2-15/16 3	160 6-19/64	275 10-53/64	217 8-35/64	115 4-17/32	25 63/64	28 1-3/32	29 1-9/64	238 9-3/8	77.8 3.0630	33.3 1.311	M20 3/4	UC215 UC215-45 UC215-46 UC215-47 UC215-48	PH215	7.98 7.98 8.23 8.12 7.92
UCPH216 216-49 216-50 216-51	80 3-1/16 3-1/8 3-3/16	170 6-11/16	292 11-1/2	232 9-1/8	125 4-59/64	25 63/64	28 1-3/32	30 1-3/16	253 9-61/64	82.6 3.2520	33.3 1.311	M20 3/4	UC216 UC216-49 UC216-50 UC216-51	PH216	9.30 9.48 9.35 9.22