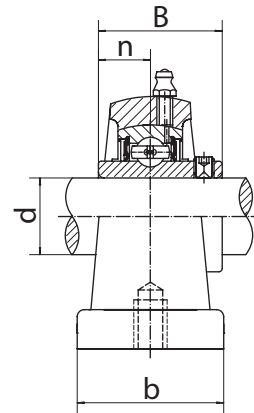
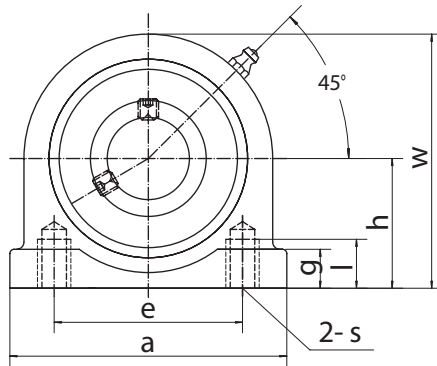


UCTB2 (Normal-duty)

Pillow Blocks



Unit NO.	Dimensions (mm / in.)											Bolt Size mm/in.	Bearing No.	Housing No.	Weight (kg)						
	d	h	a	e	b	s	g	l	w	B	n										
UCTB204	20	33.3	65	50.8	32	3/8-16UNF	14.5	15	64	31	12.7	3/8-16 UNF	UC204	TB204	0.49						
204-12	3/4	1-5/16	2-9/16	2	1-17/64		37/64	19/32	2-33/64	1.2205	0.500		UC204-12		0.49						
UCTB205	25	36.5	70	50.8	36	3/8-16UNF	13	15	70	34.1	14.3	3/8-16 UNF	UC205	TB205	0.59						
205-13	13/16																			UC205-13	0.63
205-14	7/8	1-7/16	2-3/4	2	1-27/64								33/64		19/32	2-3/4	1.3425	0.563	UC205-14	0.62	
205-15	15/16																			UC205-15	0.60
205-16	1																			UC205-16	0.59
UCTB206	30	42.9	98	76.2	40	7/16-14UNF	16	18	82	38.1	15.9	7/16-14 UNF	UC206	TB206	1.11						
206-17	1-1/16																			UC206-17	1.12
206-18	1-1/8	1-11/16	3-55/64	3	1-37/64								5/8		45/64	3-15/64	1.5000	0.626	UC206-18	1.13	
206-19	1-3/16																			UC206-19	1.11
206-20	1-1/4																			UC206-20	1.10
UCTB207	35	47.6	103	82.6	45	1/2-13UNF	19	20	93	42.9	17.5	1/2-13 UNF	UC207	TB207	1.43						
207-20	1-1/4																			UC207-20	1.49
207-21	1-5/16	1-7/8	4-1/16	3-1/4	1-49/64								3/4		25/32	3-21/32	1.6890	0.689	UC207-21	1.46	
207-22	1-3/8																			UC207-22	1.43
207-23	1-7/16																			UC207-23	1.40
UCTB208	40	49.2	116	88.9	48	1/2-13UNF	19	20	99	49.2	19	1/2-13 UNF	UC208	TB208	1.76						
208-24	1-1/2	1-15/16	4-9/16	3-1/2	1-57/64								3/4		25/32	3-57/64	1.9370	0.748	UC208-24	1.80	
208-25	1-9/16																			UC208-25	1.77
UCTB209	45	53.9	120	95.3	48	1/2-13UNF	19	25	107	49.2	19	1/2-13 UNF	UC209	TB209	1.99						
209-26	1-5/8																			UC209-26	2.09
209-27	1-11/16	2-1/8	4-23/32	3-3/4	1-57/64								3/4		63/64	4-7/32	1.9370	0.748	UC209-27	2.05	
209-28	1-3/4																			UC209-28	2.01
UCTB210	50	57.2	135	101.6	54	5/8-11UNF	22	25	115	51.6	19	5/8-11 UNF	UC210	TB210	2.66						
210-29	1-13/16																			UC210-29	2.78
210-30	1-7/8	2-1/4	5-5/16	4	2-1/8								55/64		63/64	4-17/32	2.0315	0.748	UC210-30	2.73	
210-31	1-15/16																			UC210-31	2.68
210-32	2																			UC210-32	2.64